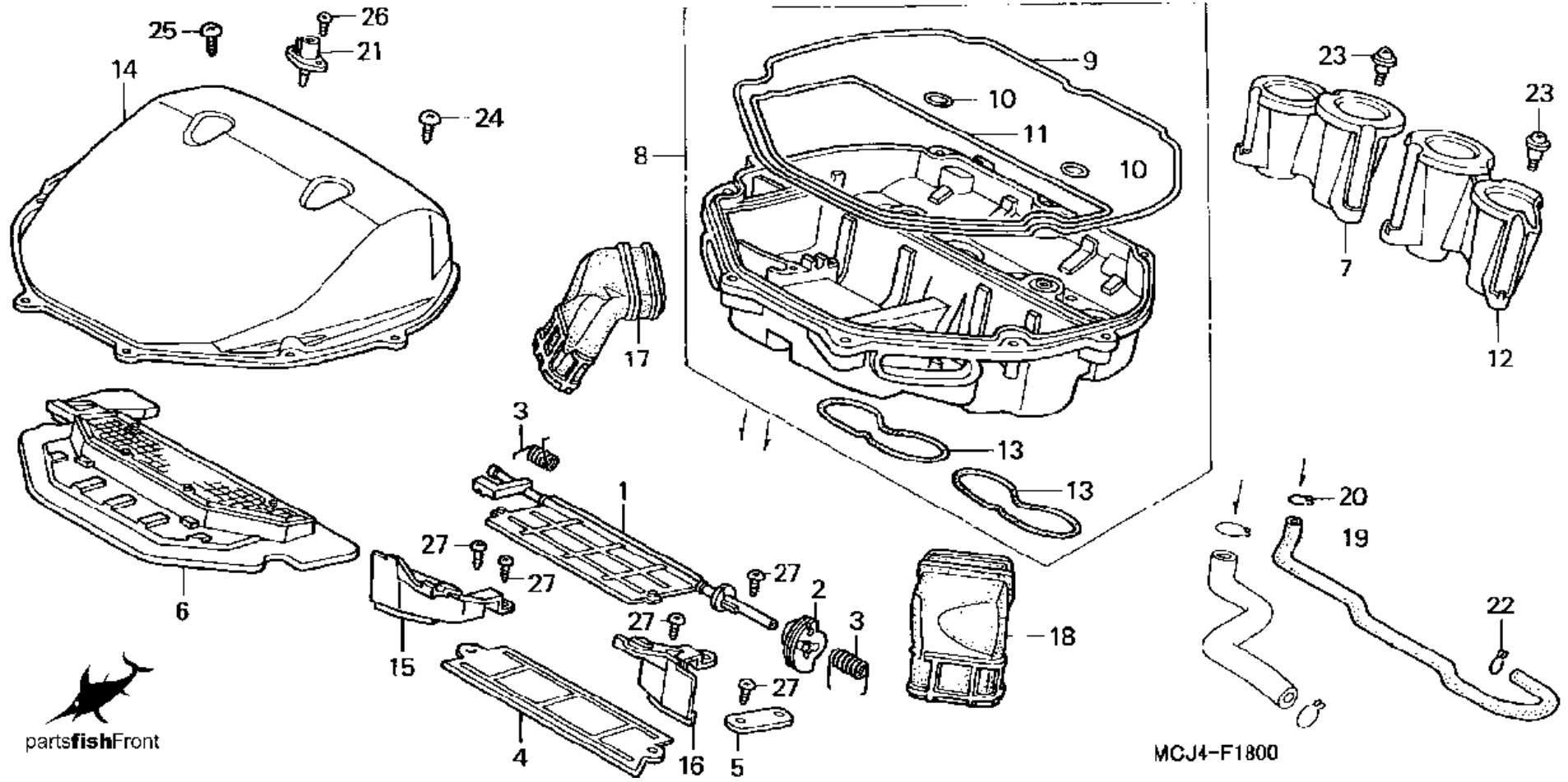


**2000 HONDA 929RR**

**PARTS INFO & DRAWINGS**

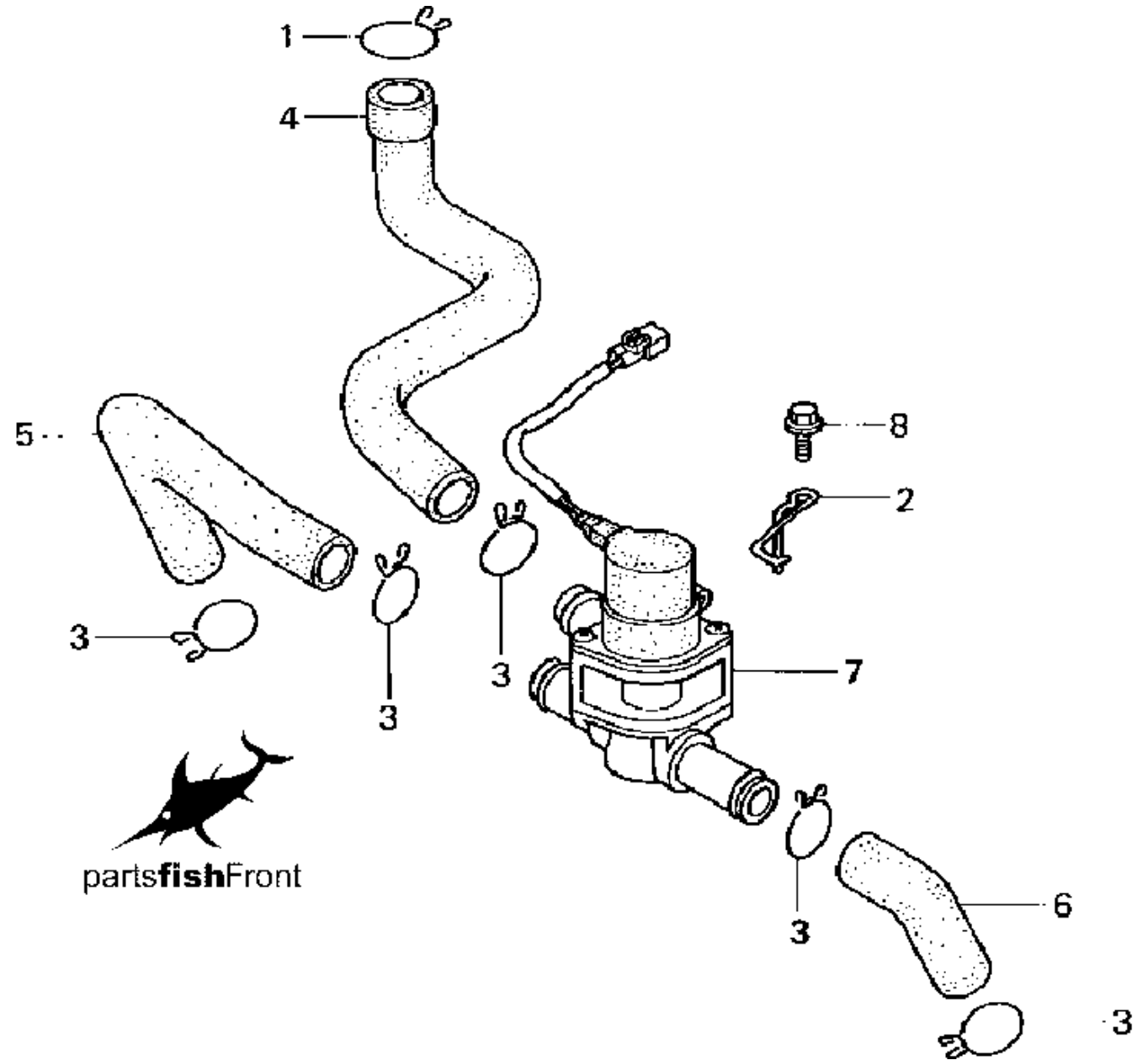
No.	Part No.	Description
1	<a href="#">17204-MCJ-003</a>	<a href="#">VALVE COMP., AIR CON</a>
2	<a href="#">17206-MCJ-003</a>	<a href="#">PULLEY, AIR CONTROL</a>
3	<a href="#">17207-MCJ-000</a>	<a href="#">SPRING, AIR CONTROL</a>
4	<a href="#">17208-MCJ-003</a>	<a href="#">PLATE, DUCT (INNER)</a>
5	<a href="#">17209-MCJ-003</a>	<a href="#">PLATE SET, PULLEY</a>
6	<a href="#">17210-MCJ-003</a>	<a href="#">ELEMENT, AIR CLEANER</a>
7	<a href="#">17215-MCJ-000</a>	<a href="#">FUNNEL, R. AIR</a>
8	<a href="#">17221-MCJ-003</a>	<a href="#">HOUSING, AIR CLEANER</a>
9	<a href="#">17222-MCJ-003</a>	<a href="#">SEAL A, A/CLNR HSG</a>
10	<a href="#">17223-MAT-300</a>	<a href="#">SEAL B, A/CLNR HSG</a>
11	<a href="#">17224-MCJ-003</a>	<a href="#">SEAL C, A/CLNR HSG</a>
12	<a href="#">17225-MCJ-000</a>	<a href="#">FUNNEL, L. AIR</a>
13	<a href="#">17226-MCJ-003</a>	<a href="#">SEAL, A/CLNR HSG</a>
14	<a href="#">17231-MCJ-003</a>	<a href="#">COVER, AIR CLEANER</a>
15	<a href="#">17235-MCJ-003</a>	<a href="#">DUCT, R. AIR CLEANER</a>
16	<a href="#">17245-MCJ-003</a>	<a href="#">DUCT, L. AIR CLEANER</a>
17	<a href="#">17251-MCJ-003</a>	<a href="#">DUCT, R. AIR CLEANER</a>
18	<a href="#">17261-MCJ-003</a>	<a href="#">DUCT, L. AIR CLEANER</a>
19	<a href="#">17551-MCJ-000</a>	<a href="#">TUBE, BREATHER</a>
20	<a href="#">17724-102-700</a>	<a href="#">CLIP, SUB-TANK HOSE</a>
21	<a href="#">37880-P05-A00</a>	<a href="#">SENSOR ASSY., TA</a>
22	<a href="#">90646-657-000</a>	<a href="#">CLIP (16MM)</a>
23	<a href="#">91508-MM5-000</a>	<a href="#">SCREW, PAN (5MM)</a>
24	<a href="#">93903-254G0</a>	<a href="#">SCREW, TAP (5X20)</a>
25	<a href="#">93903-24520</a>	<a href="#">SCREW, TAP (4X20)</a>
26	<a href="#">93911-25420</a>	<a href="#">SCREW, TAP (5X16)</a>
27	<a href="#">93913-24220</a>	<a href="#">SCREW, TAP (4X12)</a>
100	<a href="#">90004-GHB-660</a>	<a href="#">BOLT, FLANGE (6X22)</a>



 parts**fish**Front

MCJ4-F1800

No.	Part No.	Description
<a href="#">1</a>	<a href="#">15772-GB5-670</a>	<a href="#">CLIP, DRAIN TUBE</a>
<a href="#">2</a>	<a href="#">17269-MCJ-000</a>	<a href="#">STAY, AIR INJECTION</a>
<a href="#">3</a>	<a href="#">17369-KB4-670</a>	<a href="#">CLIP, BREATHER TUBE</a>
<a href="#">4</a>	<a href="#">17460-MCJ-000</a>	<a href="#">TUBE A, AIR SUCTION</a>
<a href="#">5</a>	<a href="#">17465-MCJ-000</a>	<a href="#">TUBE, R. AIR SUCTION</a>
<a href="#">6</a>	<a href="#">17466-MCJ-000</a>	<a href="#">TUBE, L. AIR SUCTION</a>
<a href="#">7</a>	<a href="#">36450-MBG-003</a>	<a href="#">VALVE ASSY.</a>
<a href="#">8</a>	<a href="#">96001-06020-00</a>	<a href="#">BOLT, FLANGE (6X20)</a>

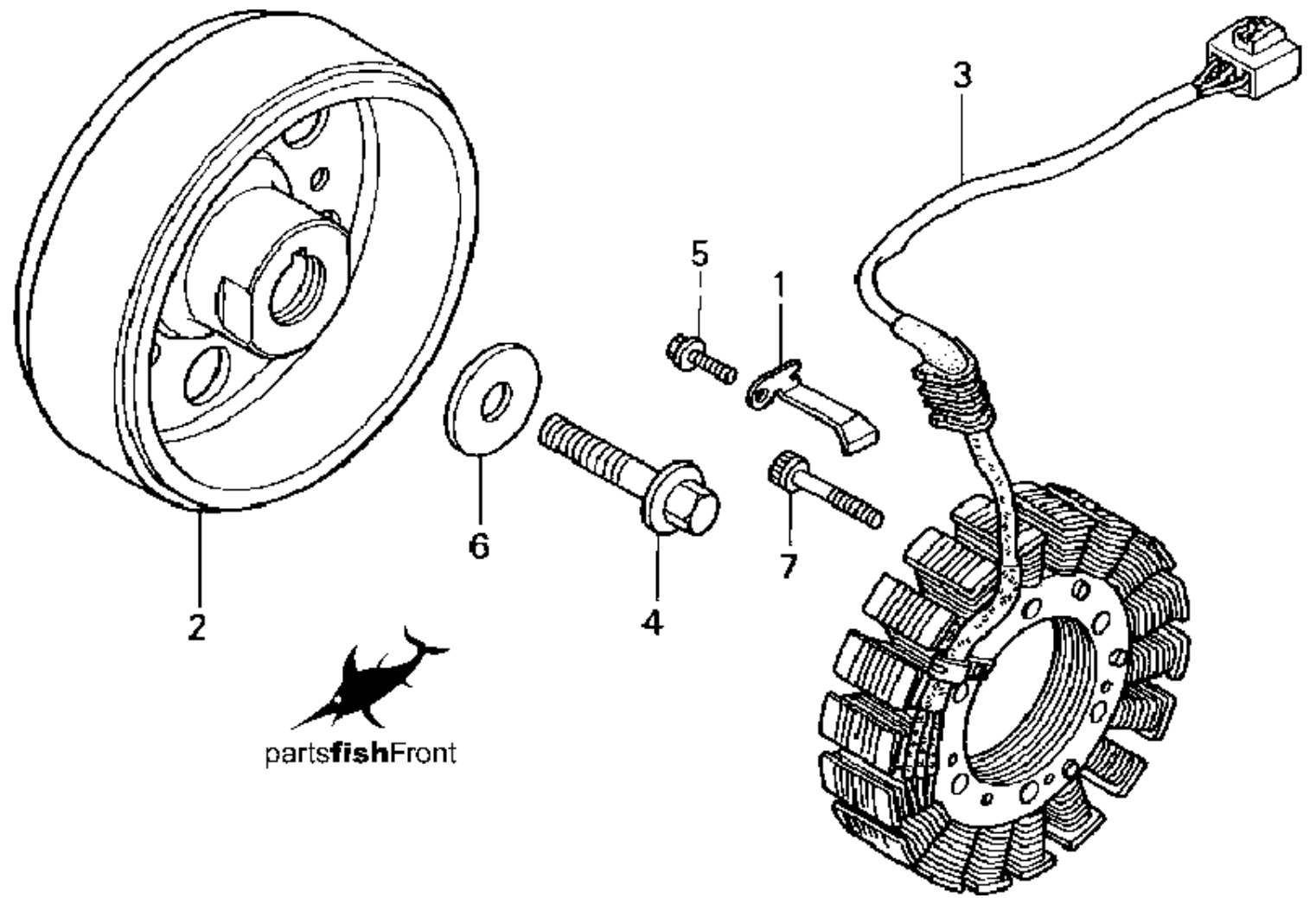


## 2000 HONDA CBR929RR

### ALTERNATOR

#### CLICK BELOW FOR MORE INFO

No.	Part No.	Description
<a href="#">1</a>	<a href="#">11333-MCJ-000</a>	<a href="#">CLAMP</a>
<a href="#">2</a>	<a href="#">31110-MCJ-003</a>	<a href="#">FLYWHEEL COMP.</a>
<a href="#">3</a>	<a href="#">31120-MCJ-003</a>	<a href="#">STATOR COMP.</a>
<a href="#">4</a>	<a href="#">90023-MBW-000</a>	<a href="#">BOLT, FLANGE (10MM)</a>
<a href="#">5</a>	<a href="#">90029-888-000</a>	<a href="#">BOLT, FLANGE (6X16)</a>
<a href="#">6</a>	<a href="#">90404-MBW-000</a>	<a href="#">WASHER (10MM)</a>
<a href="#">7</a>	<a href="#">96600-06032-00</a>	<a href="#">BOLT, SOCKET (6X32)</a>



  
partsfishFront

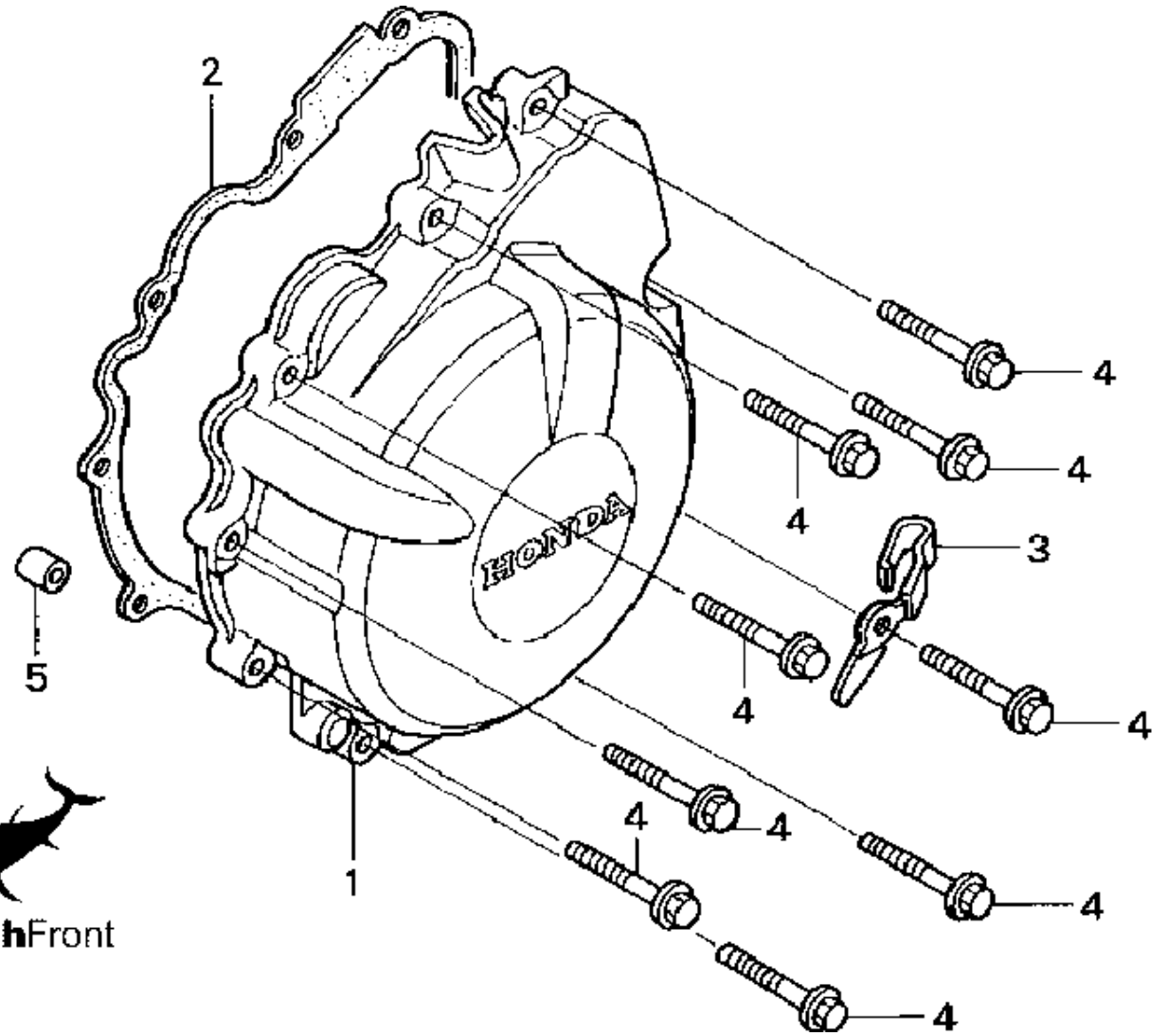
## 2000 HONDA CBR929RR

### ALTERNATOR COVER

#### CLICK BELOW FOR MORE INFO

No.	Part No.	Description
<a href="#">1</a>	<a href="#">11321-MCJ-305</a>	<a href="#">COVER, ALTERNATOR</a>
<a href="#">2</a>	<a href="#">11392-MCJ-000</a>	<a href="#">GASKET</a>
<a href="#">3</a>	<a href="#">18950-MCJ-000</a>	<a href="#">CLAMP, CABLE</a>
<a href="#">4</a>	<a href="#">90006-GHB-680</a>	<a href="#">BOLT, FLANGE (6X28)</a>
<a href="#">5</a>	<a href="#">94301-10160</a>	<a href="#">PIN, DOWEL (10X16)</a>





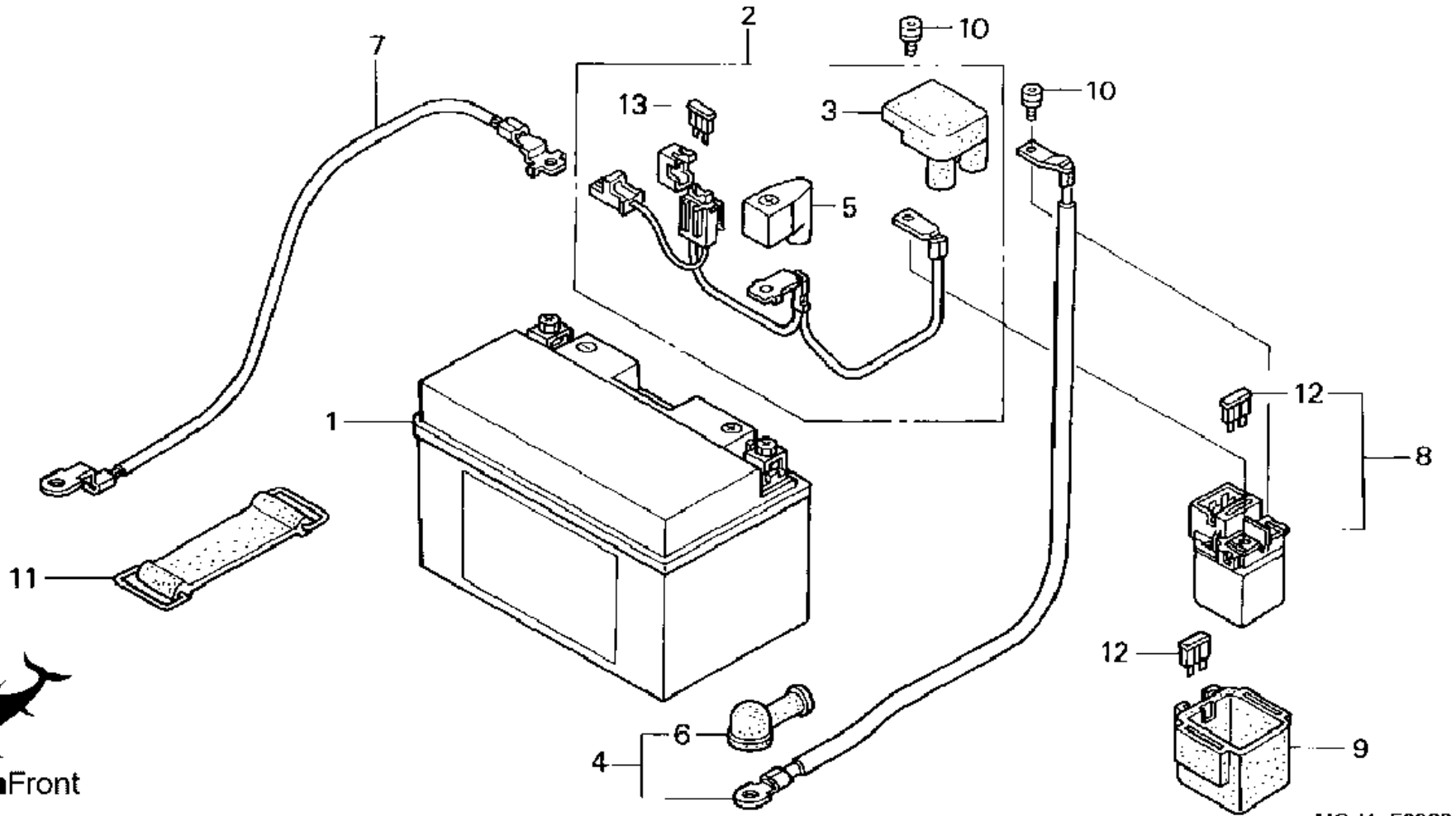
 parts**fish**Front

## 2000 HONDA CBR929RR

### BATTERY

#### CLICK BELOW FOR MORE INFO

No.	Part No.	Description
<a href="#">1</a>	<a href="#">31500-MCJ-641</a>	<a href="#">BATTERY (YTZ10S)</a>
<a href="#">2</a>	<a href="#">32401-MCJ-640</a>	<a href="#">CABLE, STARTER BATTE</a>
<a href="#">3</a>	<a href="#">32406-KAZ-000</a>	<a href="#">COVER</a>
<a href="#">4</a>	<a href="#">32410-MCJ-000</a>	<a href="#">CABLE, STARTER MOTOR</a>
<a href="#">5</a>	<a href="#">32411-MK3-300</a>	<a href="#">COVER</a>
<a href="#">6</a>	<a href="#">32411-230-000</a>	<a href="#">COVER</a>
<a href="#">7</a>	<a href="#">32601-MCJ-000</a>	<a href="#">CABLE</a>
<a href="#">8</a>	<a href="#">35850-MR5-007</a>	<a href="#">SWITCH ASSY.</a>
<a href="#">9</a>	<a href="#">35856-MBG-003</a>	<a href="#">RUBBER, SHOCK</a>
<a href="#">10</a>	<a href="#">90111-MR5-000</a>	<a href="#">BOLT, SOCKET (5X9)</a>
<a href="#">11</a>	<a href="#">95012-15001</a>	<a href="#">BAND, BATTERY</a>
<a href="#">12</a>	<a href="#">98200-33000</a>	<a href="#">FUSE, BLADE (30A)</a>
<a href="#">13</a>	<a href="#">98200-42000</a>	<a href="#">FUSE F (20A)</a>



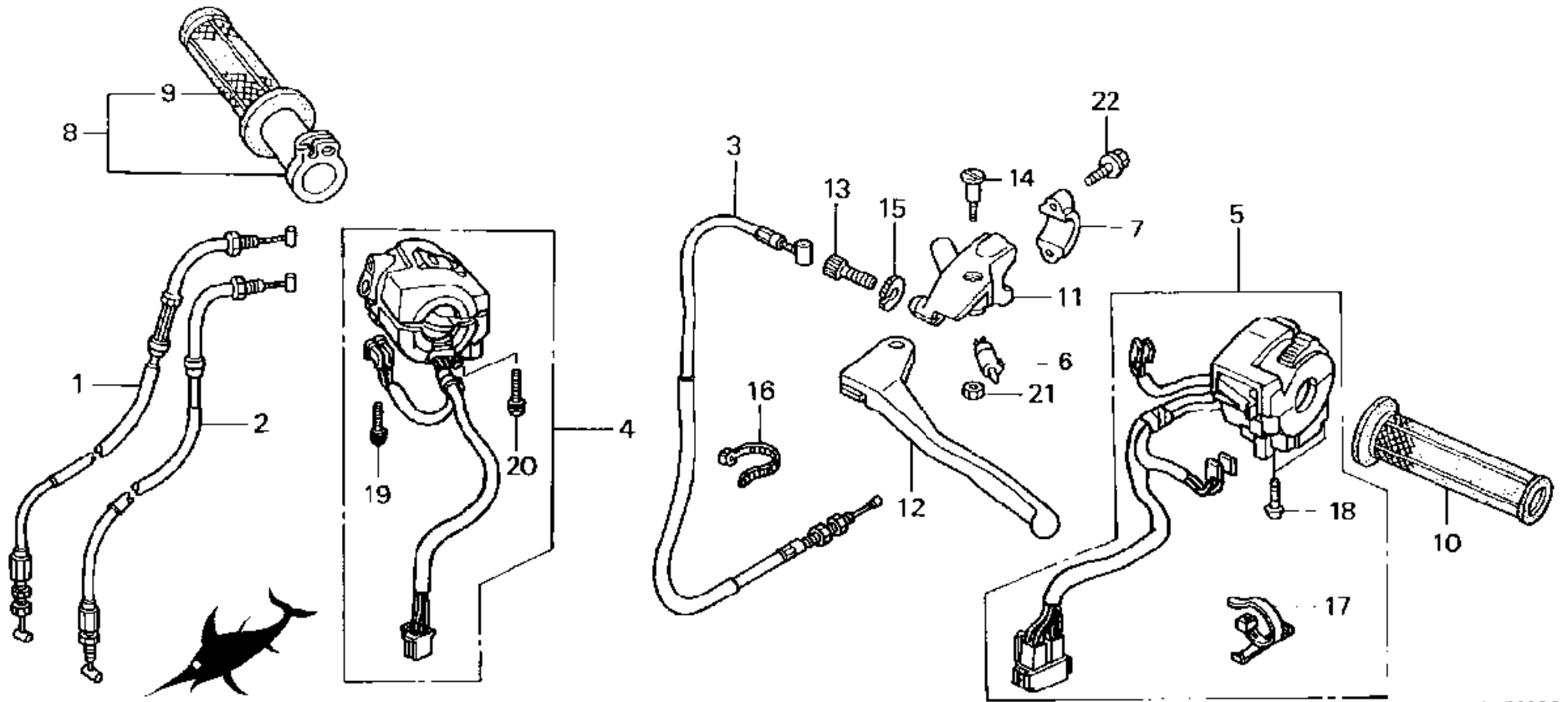
MCJ4-F2800

## 2000 HONDA CBR929RR

### CABLE SWITCH

CLICK BELOW FOR MORE INFO

No.	Part No.	Description
<a href="#">1</a>	<a href="#">17910-MCJ-000</a>	<a href="#">CABLE COMP. A, THROT</a>
<a href="#">2</a>	<a href="#">17920-MCJ-000</a>	<a href="#">CABLE COMP. B, THROT</a>
<a href="#">3</a>	<a href="#">22870-MCJ-000</a>	<a href="#">CABLE COMP., CLUTCH</a>
<a href="#">4</a>	<a href="#">35013-MCJ-670</a>	<a href="#">SWITCH SET, STARTER</a>
<a href="#">5</a>	<a href="#">35020-MCJ-670</a>	<a href="#">SWITCH, TURN SIGNAL</a>
<a href="#">6</a>	<a href="#">35330-413-003</a>	<a href="#">SWITCH, FR. LEVER</a>
<a href="#">7</a>	<a href="#">45517-166-006</a>	<a href="#">HOLDER</a>
<a href="#">8</a>	<a href="#">53140-KY6-000</a>	<a href="#">GRIP COMP., R.</a>
<a href="#">9</a>	<a href="#">53165-KT8-710</a>	<a href="#">GRIP, R. HANDLE</a>
<a href="#">10</a>	<a href="#">53166-KT8-710</a>	<a href="#">GRIP, L. HANDLE</a>
<a href="#">11</a>	<a href="#">53172-KT8-710</a>	<a href="#">BRACKET, HANDLEBAR</a>
<a href="#">12</a>	<a href="#">53178-KV3-000</a>	<a href="#">LEVER, L. HANDLEBAR</a>
<a href="#">13</a>	<a href="#">53192-MCJ-000</a>	<a href="#">BOLT, CABLE ADJUSTIN</a>
<a href="#">14</a>	<a href="#">90113-438-000</a>	<a href="#">BOLT, L.</a>
<a href="#">15</a>	<a href="#">90321-MCJ-000</a>	<a href="#">NUT, FIXING</a>
<a href="#">16</a>	<a href="#">90651-KV6-003</a>	<a href="#">BAND, WIRE</a>
<a href="#">17</a>	<a href="#">91548-SA5-003</a>	<a href="#">BAND, HARNESS</a>
<a href="#">18</a>	<a href="#">93500-05020-0A</a>	<a href="#">SCREW, PAN (5X20)</a>
<a href="#">19</a>	<a href="#">93892-05020-07</a>	<a href="#">SCREW-WASHER (5X20)</a>
<a href="#">20</a>	<a href="#">93892-05025-07</a>	<a href="#">SCREW-WASHER (5X25)</a>
<a href="#">21</a>	<a href="#">94001-06000-0S</a>	<a href="#">NUT, HEX. (6MM)</a>
<a href="#">22</a>	<a href="#">96001-06022-07</a>	<a href="#">BOLT, FLANGE (6X22)</a>



parts**fish**Front

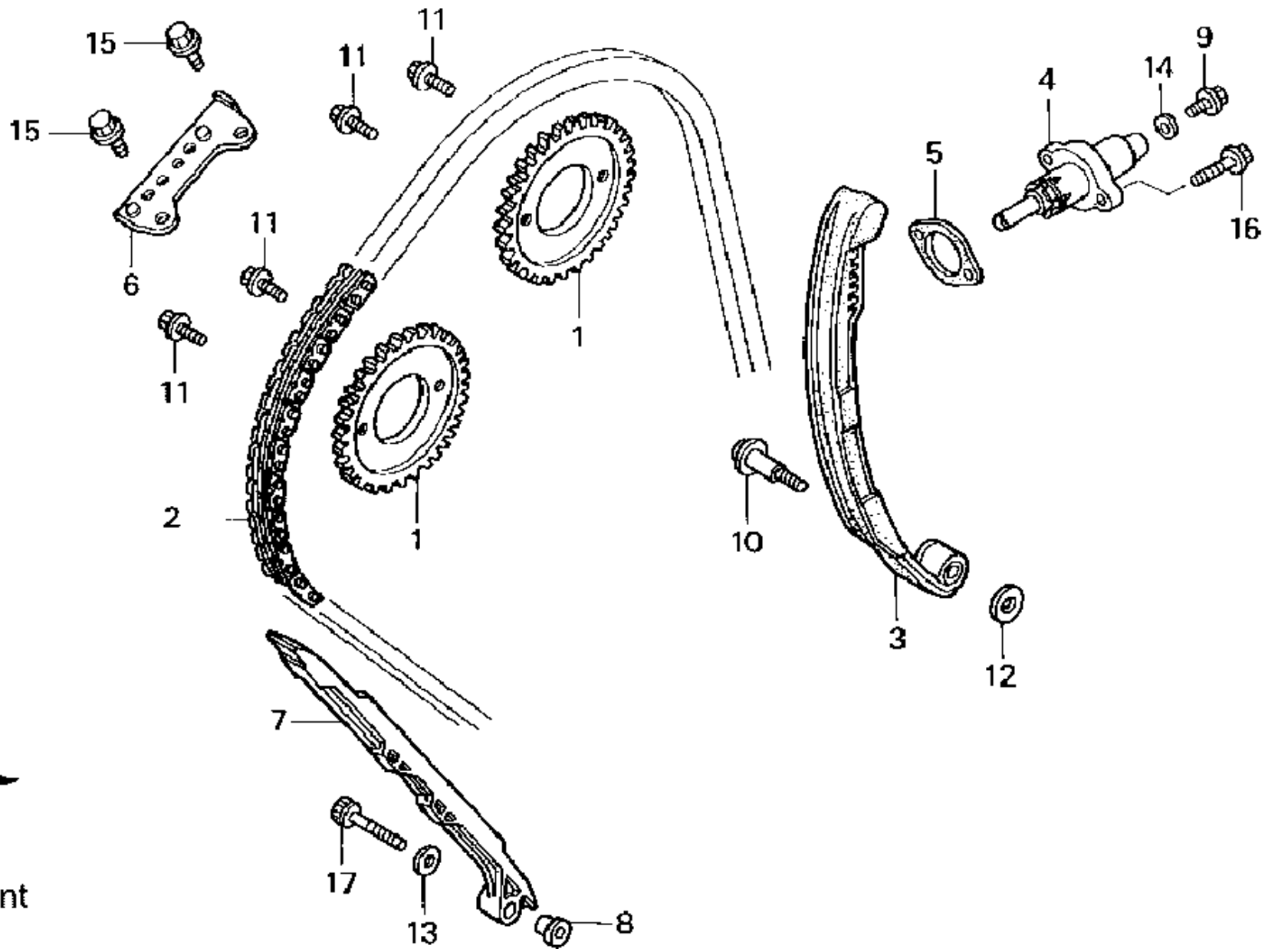
MCJ4-F0300

## 2000 HONDA CBR929RR

### CAM CHAIN TENSIONER

#### CLICK BELOW FOR MORE INFO

No.	Part No.	Description
<a href="#">1</a>	<a href="#">14321-MCJ-000</a>	<a href="#">SPROCKET, CAM</a>
<a href="#">2</a>	<a href="#">14401-MCJ-003</a>	<a href="#">CHAIN, CAM</a>
<a href="#">3</a>	<a href="#">14510-MCJ-000</a>	<a href="#">TENSIONER COMP., CAM</a>
<a href="#">4</a>	<a href="#">14520-MCJ-000</a>	<a href="#">LIFTER COMP., TENSIO</a>
<a href="#">5</a>	<a href="#">14523-MCJ-000</a>	<a href="#">GASKET, TENSIONER LI</a>
<a href="#">6</a>	<a href="#">14546-MCJ-000</a>	<a href="#">GUIDE B, CAM CHAIN</a>
<a href="#">7</a>	<a href="#">14620-MW0-003</a>	<a href="#">GUIDE A, CAM CHAIN</a>
<a href="#">8</a>	<a href="#">14626-MCJ-000</a>	<a href="#">COLLAR (6MM)</a>
<a href="#">9</a>	<a href="#">90004-GHB-600</a>	<a href="#">BOLT, FLANGE (6X10)</a>
<a href="#">10</a>	<a href="#">90022-MBW-000</a>	<a href="#">PIVOT</a>
<a href="#">11</a>	<a href="#">90082-HA0-000</a>	<a href="#">BOLT (7X10.5)</a>
<a href="#">12</a>	<a href="#">90401-MBW-000</a>	<a href="#">WASHER (6MM)</a>
<a href="#">13</a>	<a href="#">90408-KW1-900</a>	<a href="#">WASHER (6MM)</a>
<a href="#">14</a>	<a href="#">90442-397-000</a>	<a href="#">WASHER (6MM)</a>
<a href="#">15</a>	<a href="#">95701-06014-00</a>	<a href="#">BOLT, FLANGE (6X14)</a>
<a href="#">16</a>	<a href="#">96001-06022-00</a>	<a href="#">BOLT, FLANGE (6X22)</a>
<a href="#">17</a>	<a href="#">96700-06032-00</a>	<a href="#">BOLT, SOCKET (6X32)</a>



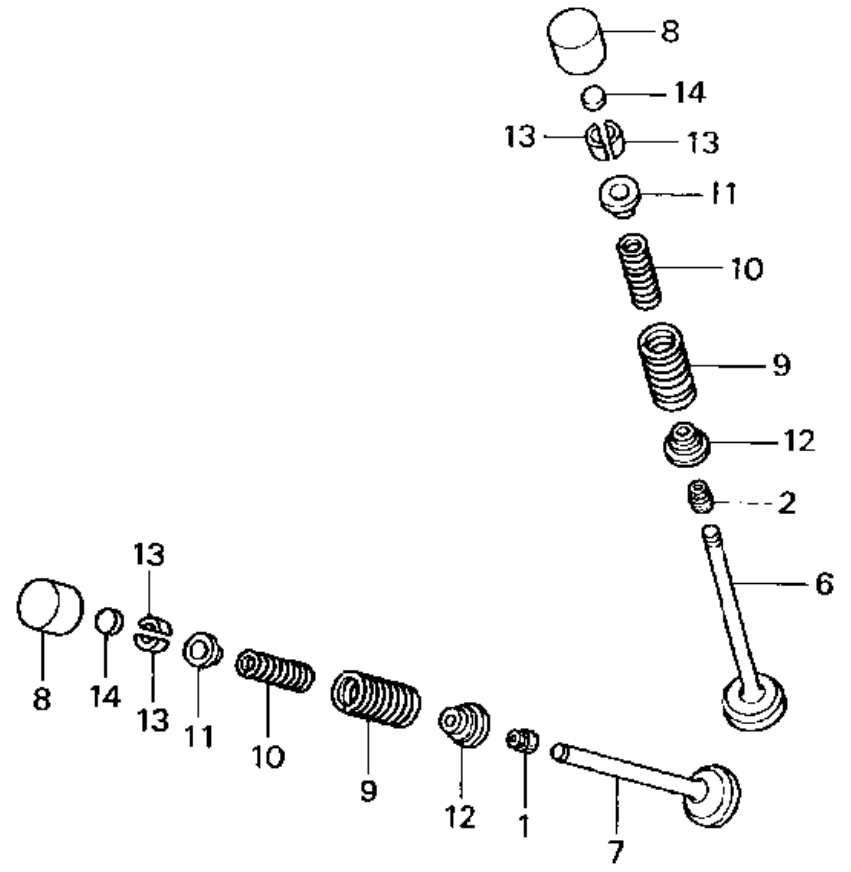
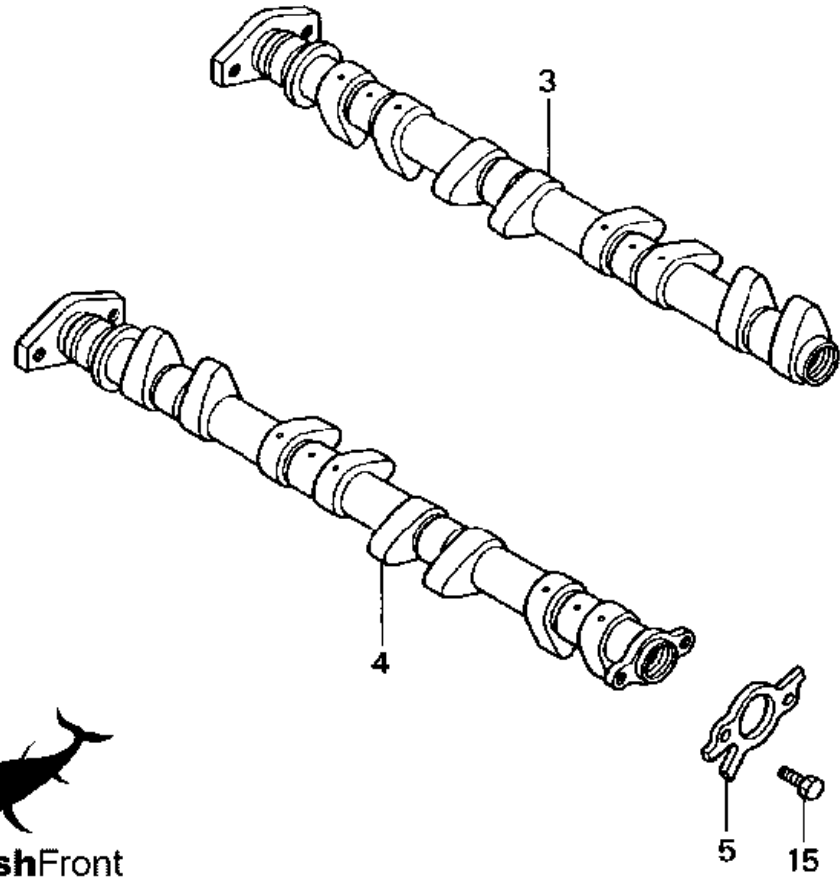
## 2000 HONDA CBR929RR

### CAMSHAFT VALVE

#### CLICK BELOW FOR MORE INFO

No.	Part No.	Description
<a href="#">1</a>	<a href="#">12209-ML0-722</a>	<a href="#">SEAL, VALVE STEM</a>
<a href="#">2</a>	<a href="#">12209-MZ5-003</a>	<a href="#">SEAL, VALVE STEM</a>
<a href="#">3</a>	<a href="#">14110-MCJ-000</a>	<a href="#">CAMSHAFT COMP., IN.</a>
<a href="#">4</a>	<a href="#">14210-MCJ-000</a>	<a href="#">CAMSHAFT COMP., EX.</a>
<a href="#">5</a>	<a href="#">14405-MCJ-000</a>	<a href="#">ROTOR, PULSE</a>
<a href="#">6</a>	<a href="#">14711-MCJ-000</a>	<a href="#">VALVE, IN.</a>
<a href="#">7</a>	<a href="#">14721-MCJ-000</a>	<a href="#">VALVE, EX.</a>
<a href="#">8</a>	<a href="#">14731-MCJ-000</a>	<a href="#">LIFTER, VALVE</a>
<a href="#">9</a>	<a href="#">14751-MCJ-000</a>	<a href="#">SPRING, VALVE</a>
<a href="#">10</a>	<a href="#">14761-MCJ-000</a>	<a href="#">SPRING, VALVE</a>
<a href="#">11</a>	<a href="#">14771-KW3-900</a>	<a href="#">RETAINER, VLV SPR</a>
<a href="#">12</a>	<a href="#">14775-MCJ-000</a>	<a href="#">SEAT, VALVE SPRING</a>
<a href="#">13</a>	<a href="#">14781-ML0-720</a>	<a href="#">COTTER, VALVE</a>
<a href="#">15</a>	<a href="#">90081-149-010</a>	<a href="#">BOLT, KNOCK (6X10)</a>








MCJ4-E0300

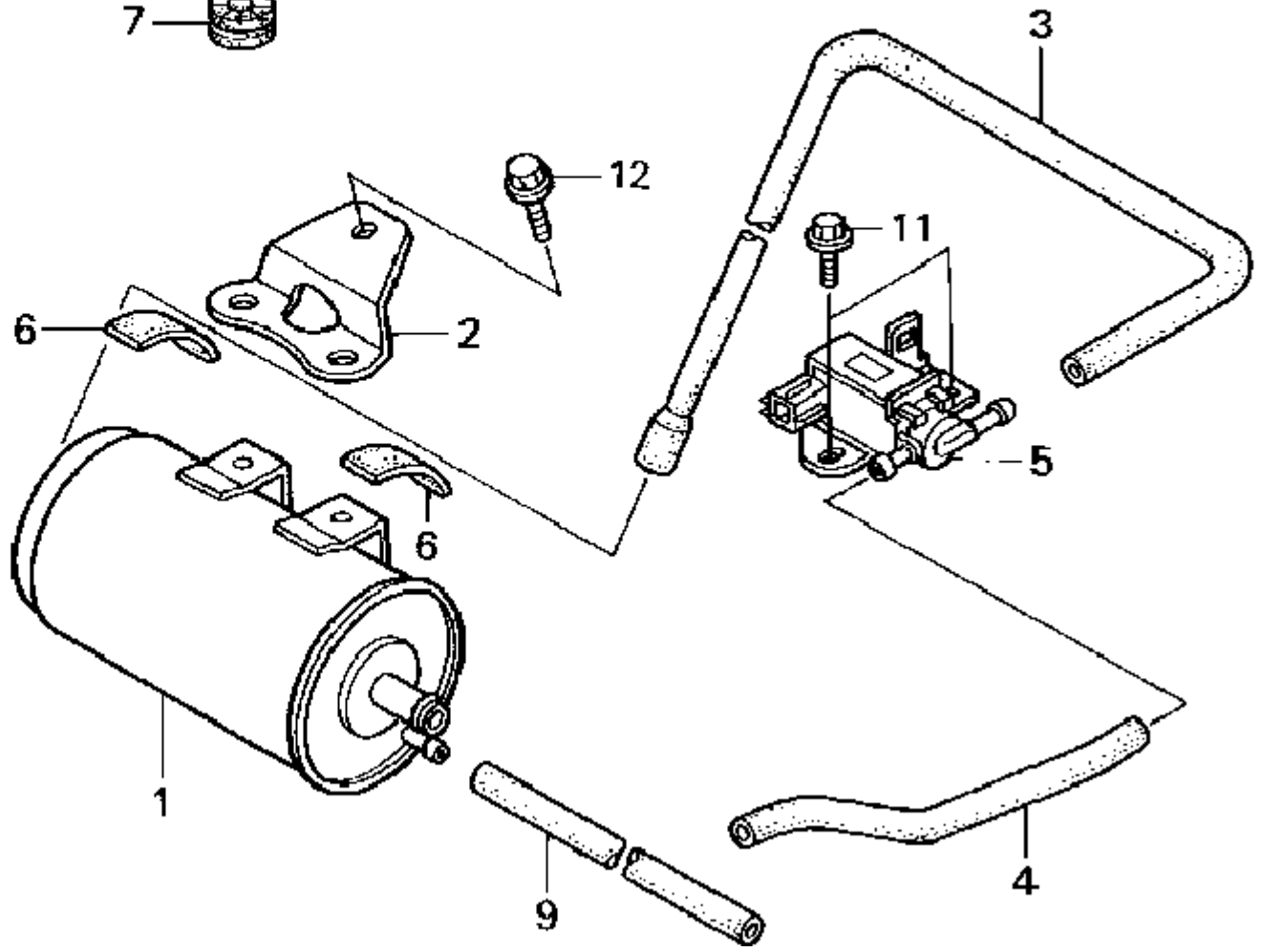
## 2000 HONDA CBR929RR

### CANISTER

#### CLICK BELOW FOR MORE INFO

No.	Part No.	Description
<a href="#">1</a>	<a href="#">17410-MCJ-770</a>	<a href="#">CANISTER COMP.</a>
<a href="#">2</a>	<a href="#">17411-MCJ-770</a>	<a href="#">STAY, CANISTER</a>
<a href="#">3</a>	<a href="#">17412-MCJ-770</a>	<a href="#">TUBE (PCS-CANISTER)</a>
<a href="#">4</a>	<a href="#">17413-MCJ-770</a>	<a href="#">TUBE (PCS-5WAY)</a>
<a href="#">5</a>	<a href="#">36162-P2M-A01</a>	<a href="#">VALVE, PUR CONT SOL</a>
<a href="#">6</a>	<a href="#">61102-MZ1-300</a>	<a href="#">RUBBER, FR. FENDER</a>
<a href="#">7</a>	<a href="#">84703-425-000</a>	<a href="#">RUBBER</a>
<a href="#">8</a>	<a href="#">90501-425-000</a>	<a href="#">COLLAR (6.2X12)</a>
<a href="#">9</a>	<a href="#">95005-45001-20M</a>	<a href="#">BULK HOSE (4.5X1000)</a>
<a href="#">10</a>	<a href="#">96001-06022-00</a>	<a href="#">BOLT, FLANGE (6X22)</a>
<a href="#">11</a>	<a href="#">96300-06012-00</a>	<a href="#">BOLT, FLANGE (6X12)</a>
<a href="#">12</a>	<a href="#">96300-08014-00</a>	<a href="#">BOLT, FLANGE (8X14)</a>

- 10 — 
- 8 — 
- 7 — 

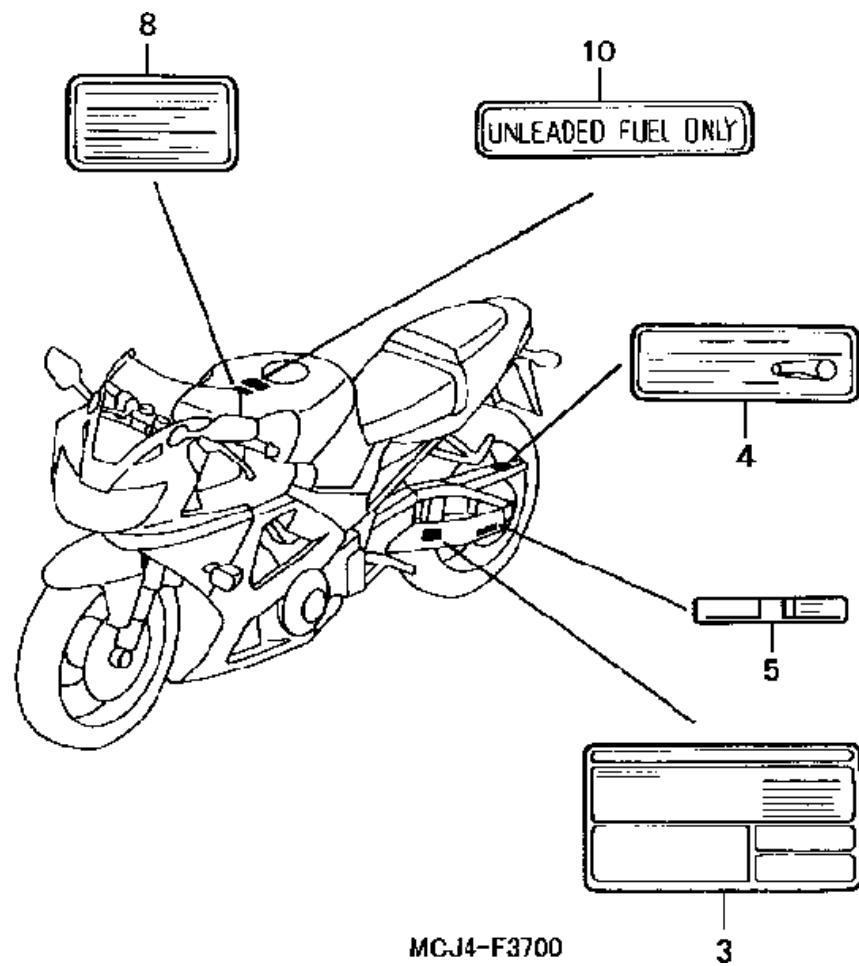
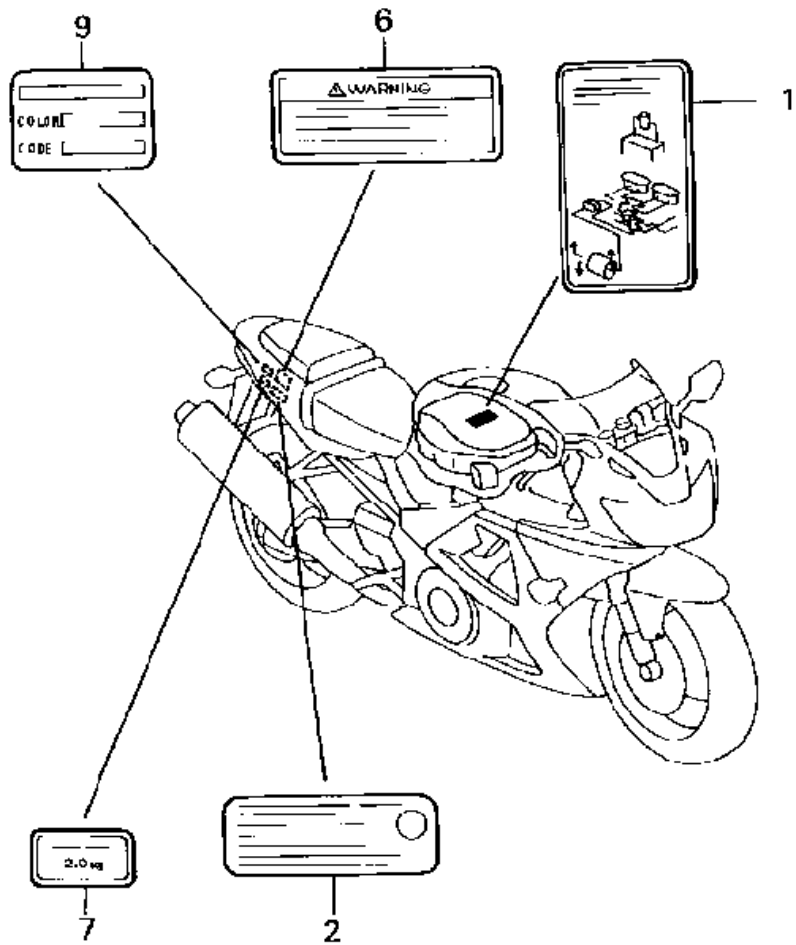


## 2000 HONDA CBR929RR

### CAUTION LABEL

#### CLICK BELOW FOR MORE INFO

No.	Part No.	Description
<a href="#">1</a>	<a href="#">87135-MCJ-770</a>	<a href="#">DIAGRAM, VACUUM HOSE</a>
<a href="#">2</a>	<a href="#">87139-463-670</a>	<a href="#">LABEL, HIGH ALTITUDE</a>
<a href="#">3</a>	<a href="#">87505-MCJ-670</a>	<a href="#">LABEL, TIRE</a>
<a href="#">4</a>	<a href="#">87507-MCJ-640</a>	<a href="#">LABEL, DRIVE CHAIN</a>
<a href="#">5</a>	<a href="#">87508-MCF-000</a>	<a href="#">LABEL, CHAIN ADJUSTE</a>
<a href="#">6</a>	<a href="#">87512-MY3-670</a>	<a href="#">LABEL, LOADING</a>
<a href="#">7</a>	<a href="#">87523-MZ3-300</a>	<a href="#">LABEL (2.0KG)</a>
<a href="#">8</a>	<a href="#">87560-MZ0-670</a>	<a href="#">LABEL, DRIVE</a>
<a href="#">9</a>	<a href="#">87565-MCJ-670ZA</a>	<a href="#">LABEL, COLOR *NH193*</a>
<a href="#">9</a>	<a href="#">87565-MCJ-670ZB</a>	<a href="#">LABEL *Y124* (TYPE2)</a>
<a href="#">10</a>	<a href="#">87586-MB6-870ZF</a>	<a href="#">LABEL, FUEL (TYPEG)</a>

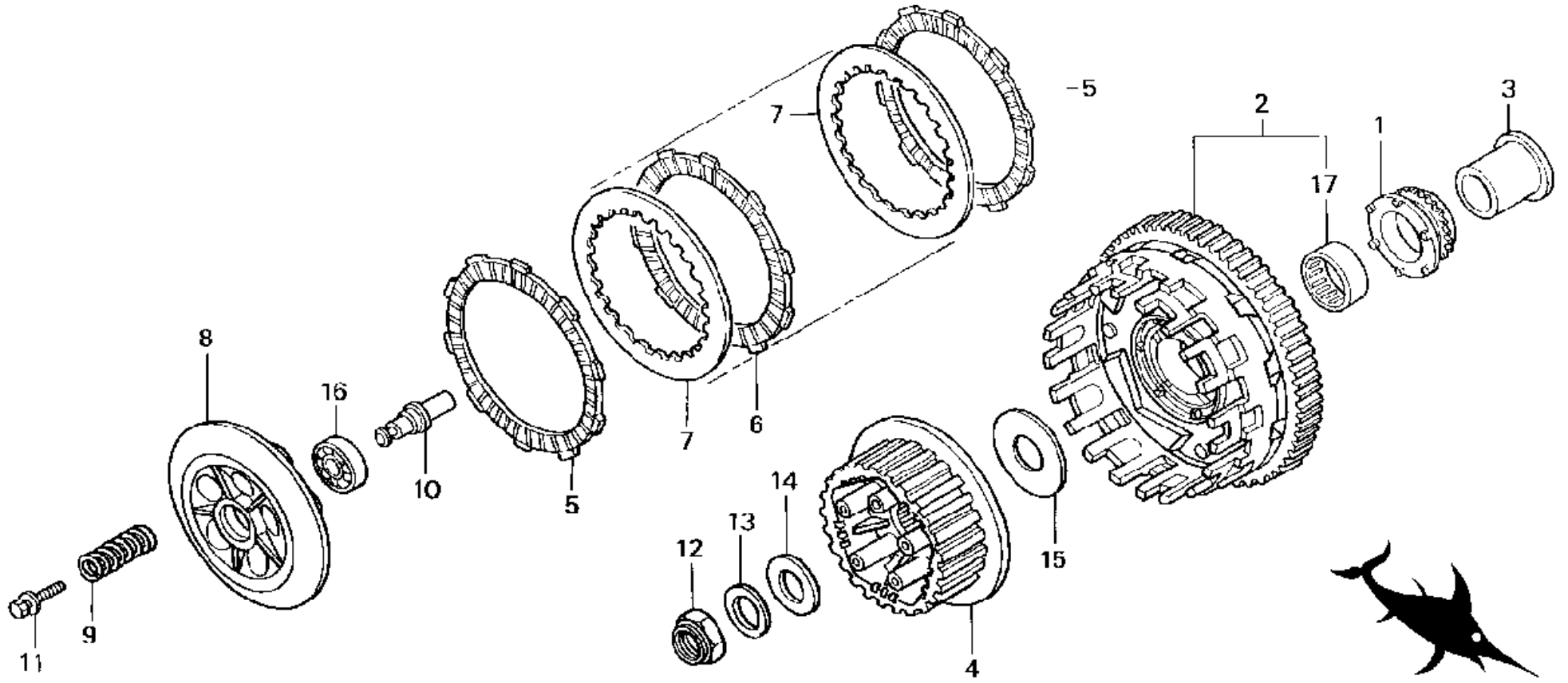


## 2000 HONDA CBR929RR

### CLUTCH

#### CLICK BELOW FOR MORE INFO

No.	Part No.	Description
<a href="#">1</a>	<a href="#">15131-MAS-003</a>	<a href="#">SPROCKET (25T)</a>
<a href="#">2</a>	<a href="#">22100-MCJ-000</a>	<a href="#">CLUTCH OUTER COMP.</a>
<a href="#">3</a>	<a href="#">22116-MBW-000</a>	<a href="#">GUIDE, CLUTCH</a>
<a href="#">4</a>	<a href="#">22120-MCJ-000</a>	<a href="#">CENTER, CLUTCH</a>
<a href="#">5</a>	<a href="#">22201-MAL-600</a>	<a href="#">DISK, CL FRICTION</a>
<a href="#">6</a>	<a href="#">22201-MAS-E00</a>	<a href="#">DISK, CL FRICTION</a>
<a href="#">7</a>	<a href="#">22321-MW0-000</a>	<a href="#">PLATE, CLUTCH</a>
<a href="#">8</a>	<a href="#">22350-MCJ-000</a>	<a href="#">PLATE, CLUTCH PRESSU</a>
<a href="#">9</a>	<a href="#">22401-MAS-E00</a>	<a href="#">SPRING, CLUTCH</a>
<a href="#">10</a>	<a href="#">22847-MAE-000</a>	<a href="#">PIN, CLUTCH LIFTER</a>
<a href="#">11</a>	<a href="#">22847-MAE-000</a>	<a href="#">PIN, CLUTCH LIFTER</a>
<a href="#">12</a>	<a href="#">90024-MAS-000</a>	<a href="#">BOLT-WASHER (6X28)</a>
<a href="#">13</a>	<a href="#">90432-MM5-000</a>	<a href="#">WASHER (22MM)</a>
<a href="#">14</a>	<a href="#">90451-KG4-000</a>	<a href="#">WASHER (22X39X2)</a>
<a href="#">15</a>	<a href="#">90459-MM4-000</a>	<a href="#">WASHER (60X25X2)</a>
<a href="#">16</a>	<a href="#">91009-MAS-003</a>	<a href="#">BEARING (16003)</a>
<a href="#">17</a>	<a href="#">91026-MV9-671</a>	<a href="#">BEARING (35X42X23)</a>

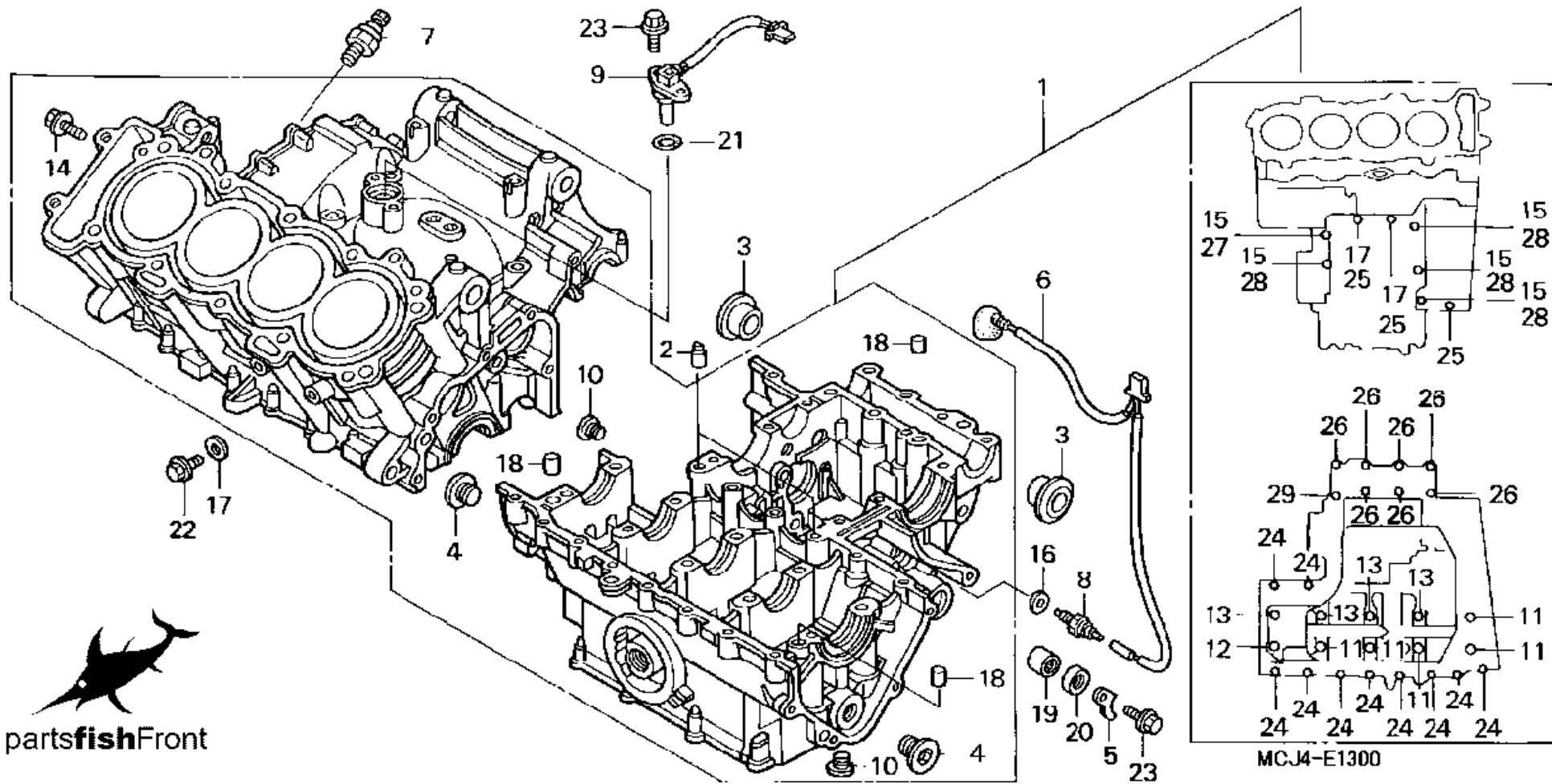


## 2000 HONDA CBR929RR - CRANKCASE

CLICK BELOW FOR MORE INFO		
No.	Part No.	Description
<a href="#">1</a>	<a href="#">11000-MCJ-000</a>	<a href="#">CRANKCASE SET</a>
<a href="#">2</a>	<a href="#">11104-MW0-000</a>	<a href="#">ORIFICE (1.2MM)</a>
<a href="#">3</a>	<a href="#">11105-MCJ-000</a>	<a href="#">COLLAR, ENGINE HANGE</a>
<a href="#">4</a>	<a href="#">12208-PR3-000</a>	<a href="#">BOLT, SEALING (20MM)</a>
<a href="#">5</a>	<a href="#">24612-MAL-600</a>	<a href="#">PLATE, SPINDLE</a>
<a href="#">6</a>	<a href="#">32101-MCJ-000</a>	<a href="#">SUB-WIRE HARNESS A</a>
<a href="#">7</a>	<a href="#">37240-P13-013</a>	<a href="#">SWITCH, OIL PRESSURE</a>
<a href="#">8</a>	<a href="#">35600-KE8-003</a>	<a href="#">SWITCH, NEUTRAL</a>
<a href="#">9</a>	<a href="#">37700-MCJ-000</a>	<a href="#">SENSOR ASSY., SPEED</a>
<a href="#">10</a>	<a href="#">90005-MAZ-000</a>	<a href="#">BOLT, SOCKET (10MM)</a>
<a href="#">11</a>	<a href="#">90014-MAS-E00</a>	<a href="#">BOLT, FLANGE (9X90)</a>
<a href="#">12</a>	<a href="#">90014-MCJ-000</a>	<a href="#">BOLT, FLANGE (9X95)</a>
<a href="#">13</a>	<a href="#">90015-MAT-000</a>	<a href="#">BOLT, FLANGE (9X110)</a>
<a href="#">14</a>	<a href="#">90019-MAT-000</a>	<a href="#">BOLT, FLANGE (6X48)</a>

<a href="#">15</a>	<a href="#">90442-028-000</a>	<a href="#">WASHER (8MM)</a>
<a href="#">16</a>	<a href="#">90443-MJ6-000</a>	<a href="#">WASHER, NEUTRAL</a>
<a href="#">17</a>	<a href="#">90463-ML7-000</a>	<a href="#">WASHER (6.5MM)</a>
<a href="#">18</a>	<a href="#">90701-MV9-670</a>	<a href="#">PIN, DOWEL (10X16)</a>
<a href="#">19</a>	<a href="#">91106-KM1-013</a>	<a href="#">BEARING (14X22X16)</a>
<a href="#">20</a>	<a href="#">91203-KA4-771</a>	<a href="#">OIL SEAL (14X22X5)</a>
<a href="#">20</a>	<a href="#">91203-KK3-830</a>	<a href="#">OIL SEAL (14X22X5)</a>
<a href="#">21</a>	<a href="#">91302-MAL-601</a>	<a href="#">O-RING (18.1X3.6)</a>
<a href="#">22</a>	<a href="#">95701-06012-00</a>	<a href="#">BOLT, FLANGE (6X12)</a>
<a href="#">23</a>	<a href="#">95701-06014-00</a>	<a href="#">BOLT, FLANGE (6X14)</a>
<a href="#">24</a>	<a href="#">95701-06035-00</a>	<a href="#">BOLT, FLANGE (6X35)</a>
<a href="#">25</a>	<a href="#">95701-06055-00</a>	<a href="#">BOLT, FLANGE (6X55)</a>
<a href="#">26</a>	<a href="#">95701-08050-00</a>	<a href="#">BOLT, FLANGE (8X50)</a>
<a href="#">27</a>	<a href="#">95701-08060-00</a>	<a href="#">BOLT, FLANGE (8X60)</a>
<a href="#">28</a>	<a href="#">95701-08070-00</a>	<a href="#">BOLT, FLANGE (8X70)</a>
<a href="#">29</a>	<a href="#">95701-10065-00</a>	<a href="#">BOLT, FLANGE (10X65)</a>

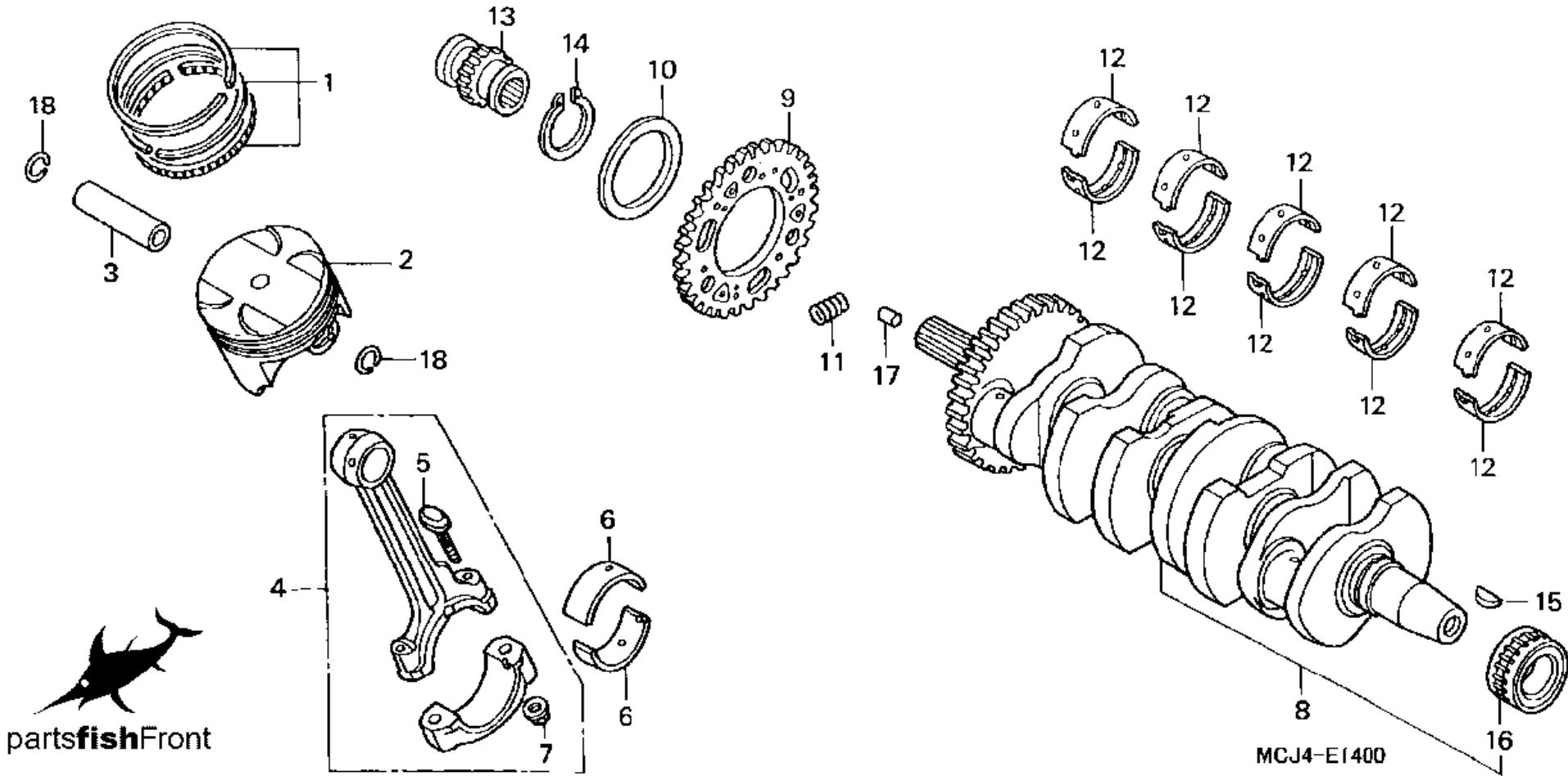




## 2000 HONDA CBR929RR - CRANKSHAFT PISTON

### CLICK BELOW FOR MORE INFO

No.	Part No.	Description
<a href="#">1</a>	<a href="#">13031-MCJ-000</a>	<a href="#">RING SET (STD)</a>
<a href="#">2</a>	<a href="#">13101-MCJ-000</a>	<a href="#">PISTON (STD)</a>
<a href="#">3</a>	<a href="#">13111-MCJ-000</a>	<a href="#">PIN, PISTON</a>
<a href="#">4</a>	<a href="#">13210-MCJ-000</a>	<a href="#">ROD ASSY., CONNECTIN</a>
<a href="#">5</a>	<a href="#">13213-MCJ-000</a>	<a href="#">BOLT, CONNECTING ROD</a>
<a href="#">6</a>	<a href="#">13214-MCJ-003</a>	<a href="#">BEARING A, CONNECTIN</a>
<a href="#">6</a>	<a href="#">13215-MCJ-003</a>	<a href="#">BEARING B, CONNECTIN</a>
<a href="#">6</a>	<a href="#">13216-MCJ-003</a>	<a href="#">BEARING C, CONNECTIN</a>
<a href="#">6</a>	<a href="#">13217-MCJ-003</a>	<a href="#">BEARING D, CONNECTIN</a>
<a href="#">6</a>	<a href="#">13218-MCJ-003</a>	<a href="#">BEARING E, CONNECTIN</a>
<a href="#">7</a>	<a href="#">13215-ML7-000</a>	<a href="#">NUT, CONNECTING ROD</a>
<a href="#">8</a>	<a href="#">13300-MCJ-000</a>	<a href="#">CRANKSHAFT COMP.</a>
<a href="#">9</a>	<a href="#">13303-MCJ-010</a>	<a href="#">SUB-GEAR (48T)</a>
<a href="#">10</a>	<a href="#">13304-MCJ-010</a>	<a href="#">SPRING</a>
<a href="#">11</a>	<a href="#">13306-MAT-000</a>	<a href="#">SPRING</a>
<a href="#">12</a>	<a href="#">13314-MW0-003</a>	<a href="#">BRG B, CRANKSHAFT</a>
<a href="#">12</a>	<a href="#">13315-MW0-003</a>	<a href="#">BRG C, CRANKSHAFT</a>
<a href="#">12</a>	<a href="#">13316-MW0-003</a>	<a href="#">BRG D, CRANKSHAFT</a>
<a href="#">12</a>	<a href="#">13317-MW0-003</a>	<a href="#">BRG E, CRANKSHAFT</a>
<a href="#">13</a>	<a href="#">14312-MBW-000</a>	<a href="#">SPROCKET, TIMING</a>
<a href="#">14</a>	<a href="#">90601-MAS-000</a>	<a href="#">CIRCLIP (OUTER) (42)</a>
<a href="#">15</a>	<a href="#">90741-413-000</a>	<a href="#">KEY (25X14)</a>
<a href="#">16</a>	<a href="#">91021-MV9-671</a>	<a href="#">BEARING (28X41X21)</a>
<a href="#">17</a>	<a href="#">94302-07120</a>	<a href="#">PIN, DOWEL (7X12)</a>
<a href="#">18</a>	<a href="#">94601-17000</a>	<a href="#">CLIP (17MM)</a>



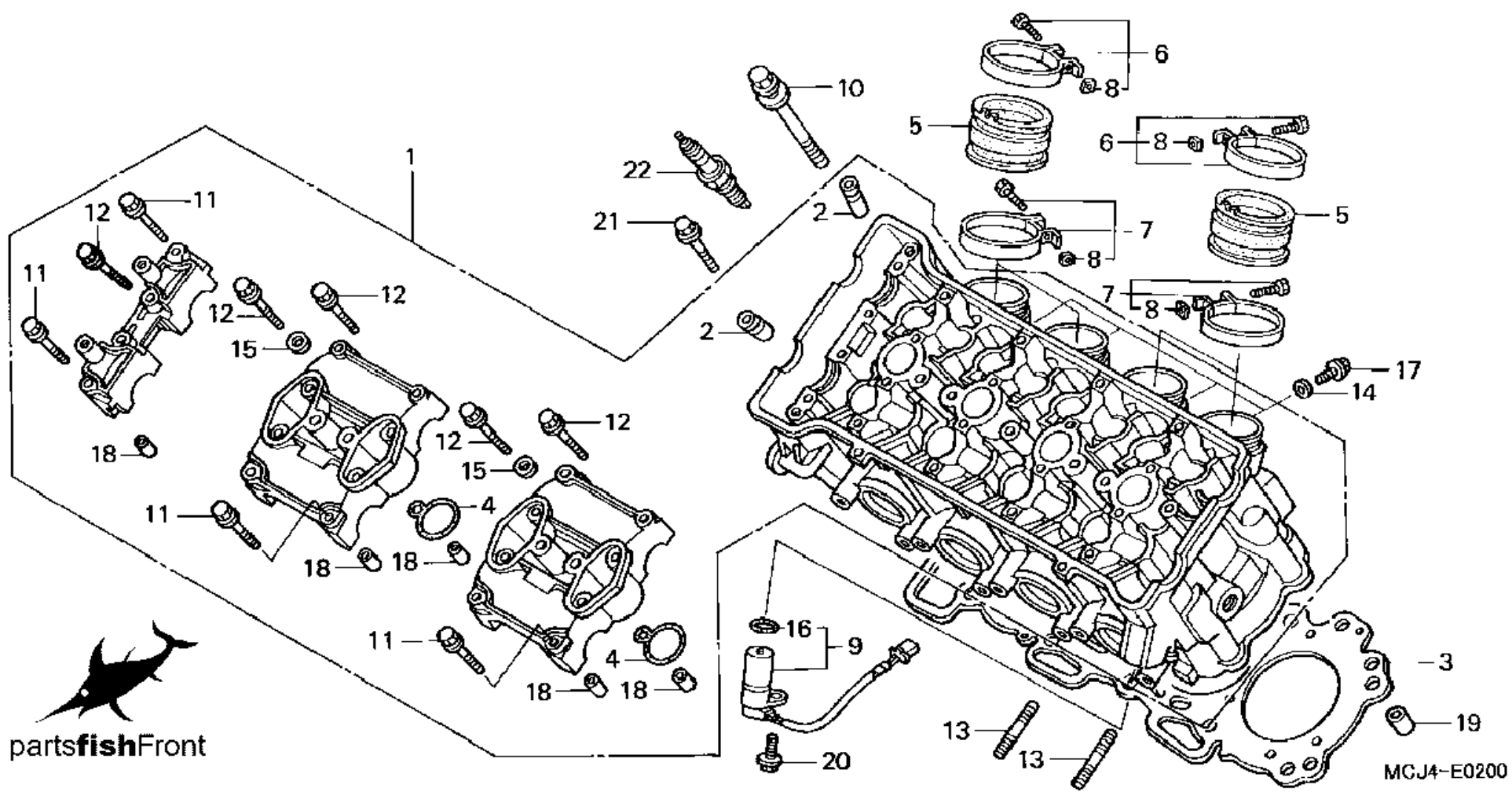
  
partsfishFront

MCJ4-E1400

## 2000 HONDA CBR929RR - CYLINDER HEAD

### CLICK BELOW FOR MORE INFO

No.	Part No.	Description
<a href="#">1</a>	<a href="#">12010-MCJ-000</a>	<a href="#">CYLINDER HEAD ASSY.</a>
<a href="#">2</a>	<a href="#">12204-MW0-305</a>	<a href="#">GUIDE, VALVE (OS)</a>
<a href="#">3</a>	<a href="#">12251-MCJ-003</a>	<a href="#">GASKET, CYLINDER HEA</a>
<a href="#">3</a>	<a href="#">12251-MCJ-013</a>	<a href="#">GASKET, CYLINDER HEA</a>
<a href="#">4</a>	<a href="#">12395-MCJ-000</a>	<a href="#">GASKET, PLUG HOLE</a>
<a href="#">5</a>	<a href="#">16210-MCJ-000</a>	<a href="#">INSULATOR, THROTTLE</a>
<a href="#">6</a>	<a href="#">16217-MCJ-000</a>	<a href="#">BAND A, INSULATOR</a>
<a href="#">7</a>	<a href="#">16218-MCJ-000</a>	<a href="#">BAND B, INSULATOR</a>
<a href="#">8</a>	<a href="#">16222-MV4-300</a>	<a href="#">NUT, SQUARE (5MM)</a>
<a href="#">9</a>	<a href="#">36140-MCJ-000</a>	<a href="#">PULSER ASSY., CAM</a>
<a href="#">10</a>	<a href="#">90007-MAL-A00</a>	<a href="#">BOLT-WASHER (9X95)</a>
<a href="#">11</a>	<a href="#">90017-MA6-000</a>	<a href="#">BOLT, FLG (6X45.5)</a>
<a href="#">12</a>	<a href="#">90019-MA6-000</a>	<a href="#">BOLT, FLG (6X39.5)</a>
<a href="#">13</a>	<a href="#">90035-MCJ-000</a>	<a href="#">BOLT, STUD (8X29)</a>
<a href="#">14</a>	<a href="#">90452-323-000</a>	<a href="#">WASHER (5MM)</a>
<a href="#">15</a>	<a href="#">90463-ML7-000</a>	<a href="#">WASHER (6.5MM)</a>
<a href="#">16</a>	<a href="#">91309-PX4-003</a>	<a href="#">O-RING (16X2.1)</a>
<a href="#">17</a>	<a href="#">92301-05008-0A</a>	<a href="#">BOLT, RECESSED (5X8)</a>
<a href="#">18</a>	<a href="#">94301-08200</a>	<a href="#">PIN, DOWEL (8X20)</a>
<a href="#">19</a>	<a href="#">94301-10160</a>	<a href="#">PIN, DOWEL (10X16)</a>
<a href="#">20</a>	<a href="#">95701-06018-07</a>	<a href="#">BOLT, FLANGE (6X18)</a>
<a href="#">21</a>	<a href="#">95701-08050-00</a>	<a href="#">BOLT, FLANGE (8X50)</a>
<a href="#">22</a>	<a href="#">98059-5892U</a>	<a href="#">SPARK PLUG</a>



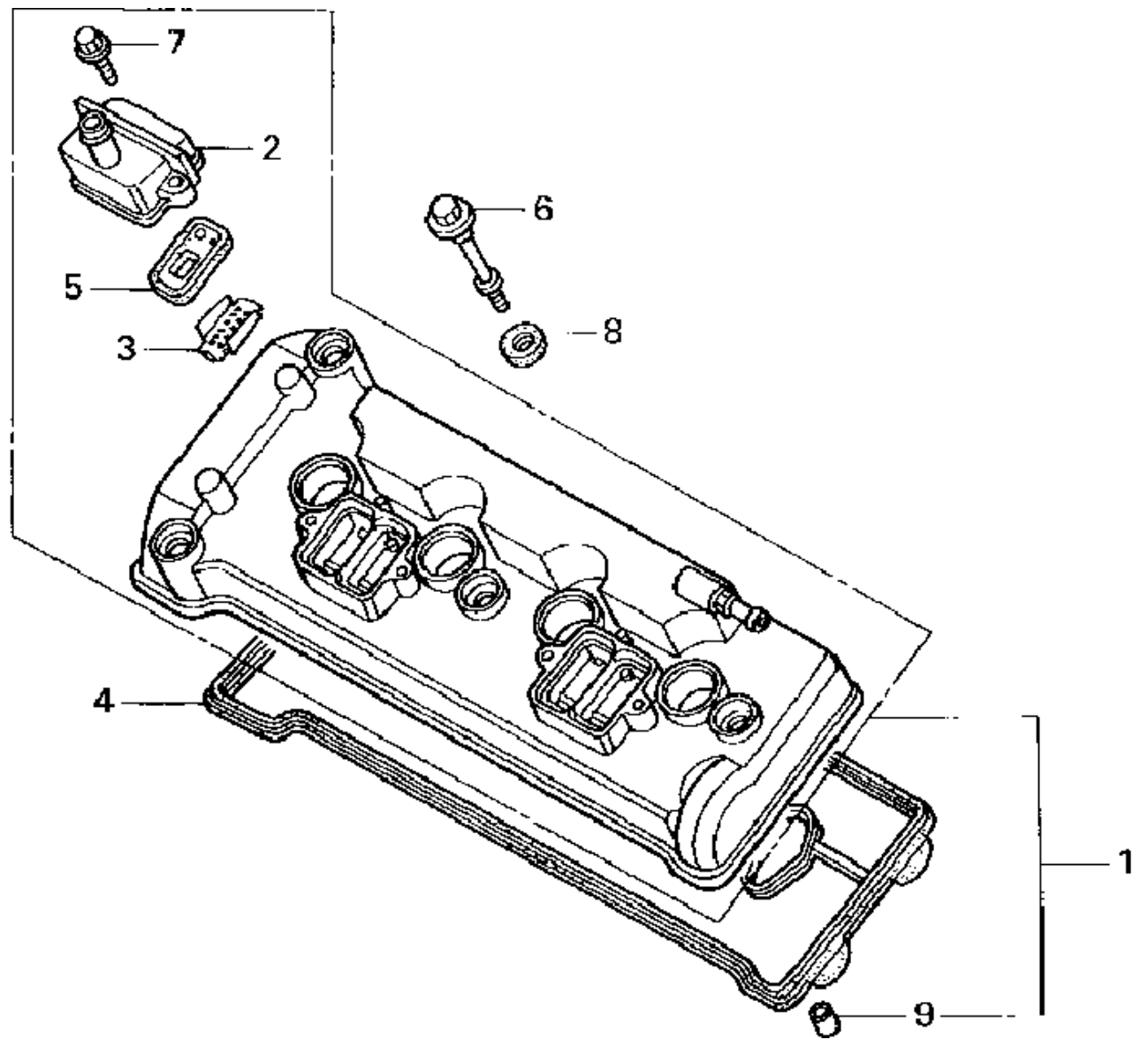
MCJ4-E0200

## 2000 HONDA CBR929RR

### CYLINDER HEAD COVER

#### CLICK BELOW FOR MORE INFO

No.	Part No.	Description
<a href="#">1</a>	<a href="#">12310-MCJ-000</a>	<a href="#">COVER ASSY., CYLINDE</a>
<a href="#">2</a>	<a href="#">12331-MBW-000</a>	<a href="#">COVER, REED VALVE</a>
<a href="#">3</a>	<a href="#">12341-MAT-750</a>	<a href="#">PLATE, PORT</a>
<a href="#">4</a>	<a href="#">12391-MCJ-000</a>	<a href="#">GASKET, HEAD COVER</a>
<a href="#">5</a>	<a href="#">18601-MCJ-000</a>	<a href="#">VALVE COMP., REED</a>
<a href="#">6</a>	<a href="#">90002-MY5-850</a>	<a href="#">BOLT, HEAD COVER</a>
<a href="#">7</a>	<a href="#">90004-GHB-660</a>	<a href="#">BOLT, FLANGE (6X22)</a>
<a href="#">8</a>	<a href="#">90543-MV9-670</a>	<a href="#">RUBBER, SETTING</a>
<a href="#">9</a>	<a href="#">94301-08140</a>	<a href="#">PIN, DOWEL (8X14)</a>



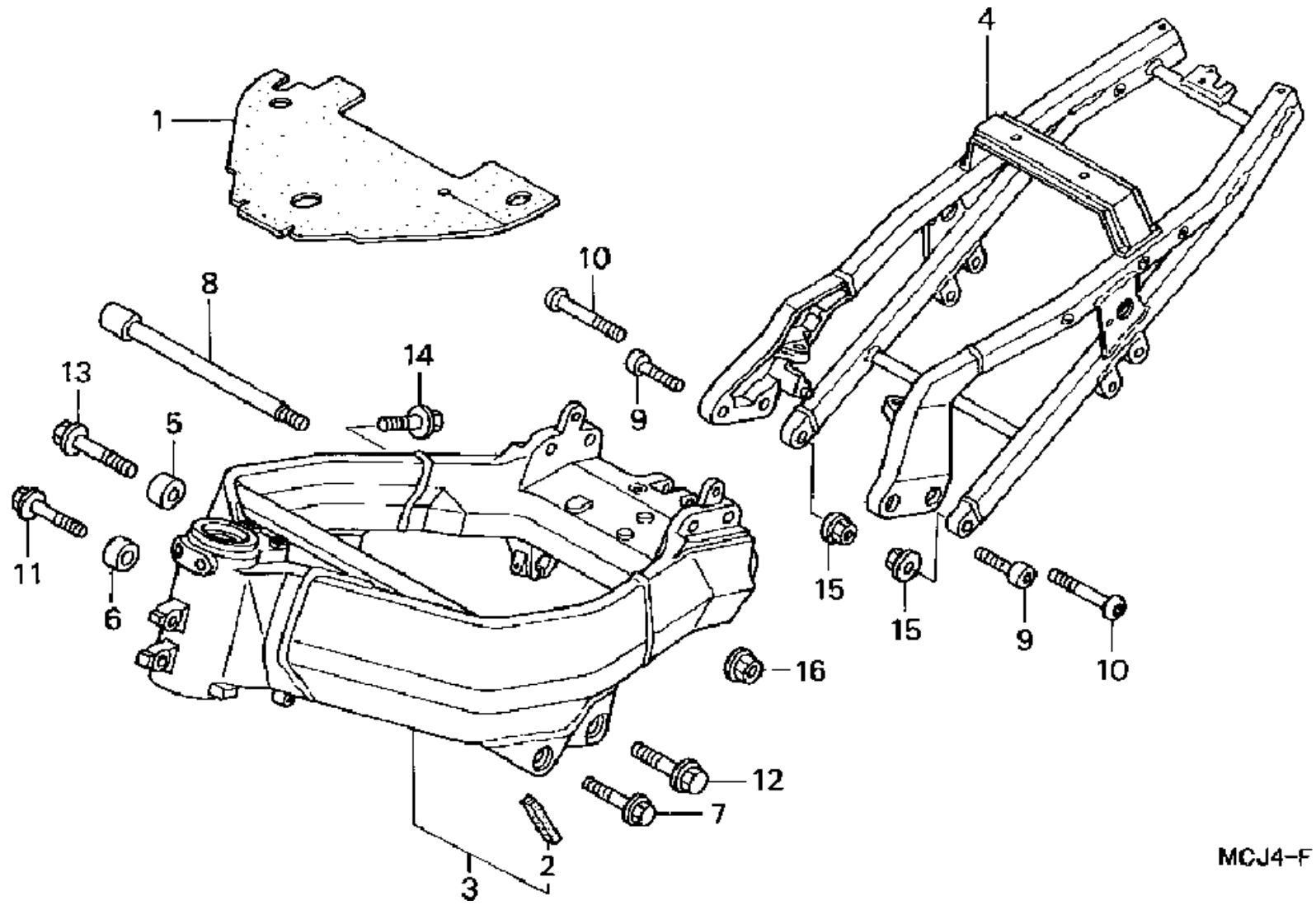
## 2000 HONDA CBR929RR

### FRAME

#### CLICK BELOW FOR MORE INFO

No.	Part No.	Description
<a href="#">1</a>	<a href="#">19126-MCJ-000</a>	<a href="#">GUARD, HEAT</a>
<a href="#">2</a>	<a href="#">19127-MCJ-300</a>	<a href="#">SEAL, HEAT GUARD</a>
<a href="#">3</a>	<a href="#">50100-MCJ-670</a>	<a href="#">FRAME COMP.</a>
<a href="#">3</a>	<a href="#">50100-MCJ-770</a>	<a href="#">FRAME COMP.</a>
<a href="#">4</a>	<a href="#">50200-MCJ-000</a>	<a href="#">RAIL COMP., SEAT</a>
<a href="#">5</a>	<a href="#">50352-MCJ-000</a>	<a href="#">COLLAR B, ENGINE HAN</a>
<a href="#">6</a>	<a href="#">50355-KT8-000</a>	<a href="#">COLLAR, RR. ENG HGR</a>
<a href="#">7</a>	<a href="#">90101-MBW-000</a>	<a href="#">BOLT, FLANGE (10X45)</a>
<a href="#">8</a>	<a href="#">90102-MCJ-000</a>	<a href="#">BOLT (12X183)</a>
<a href="#">9</a>	<a href="#">90102-MN8-700</a>	<a href="#">BOLT, SOCKET (8X25)</a>
<a href="#">10</a>	<a href="#">90153-MCJ-000</a>	<a href="#">BOLT, SOCKET (10X47)</a>
<a href="#">11</a>	<a href="#">90162-MCJ-000</a>	<a href="#">BOLT, FLANGE (10X55)</a>
<a href="#">12</a>	<a href="#">90163-MCJ-000</a>	<a href="#">BOLT, FLANGE (12X50)</a>
<a href="#">13</a>	<a href="#">90164-MCJ-000</a>	<a href="#">BOLT, FLANGE (12X60)</a>
<a href="#">14</a>	<a href="#">90165-MCJ-000</a>	<a href="#">BOLT, FLANGE (8X40)</a>
<a href="#">15</a>	<a href="#">94050-10000</a>	<a href="#">NUT, FLANGE (10MM)</a>
<a href="#">16</a>	<a href="#">94050-12000</a>	<a href="#">NUT, FLANGE (12MM)</a>
<a href="#">17</a>	<a href="#">61309-GE4-003</a>	<a href="#">CLIP, HARNESS</a>



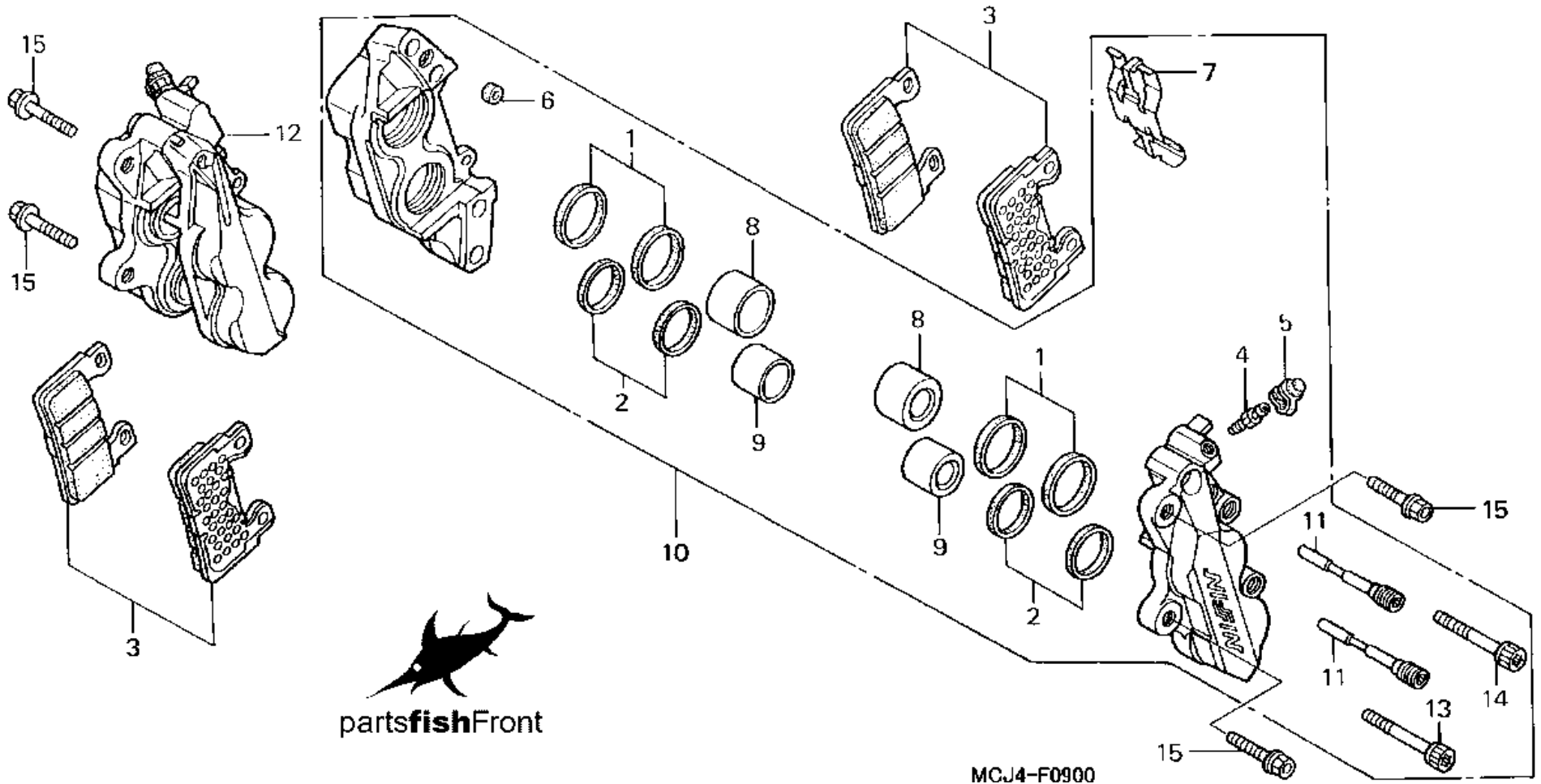


## 2000 HONDA CBR929RR

### FRONT BRAKE CALIPER

**CLICK BELOW FOR MORE INFO**

No.	Part No.	Description
<a href="#">1</a>	<a href="#">06451-MCJ-405</a>	<a href="#">SEAL SET, PISTON</a>
<a href="#">2</a>	<a href="#">06451-MCJ-406</a>	<a href="#">SEAL SET, PISTON</a>
<a href="#">3</a>	<a href="#">06455-MCF-006</a>	<a href="#">PAD SET, FR.</a>
<a href="#">4</a>	<a href="#">43352-568-003</a>	<a href="#">SCREW, BLEEDER</a>
<a href="#">5</a>	<a href="#">43353-461-771</a>	<a href="#">CAP, BLEEDER</a>
<a href="#">6</a>	<a href="#">45103-MR7-006</a>	<a href="#">SEAL, JOINT</a>
<a href="#">7</a>	<a href="#">45106-MCJ-006</a>	<a href="#">SPRING, PAD</a>
<a href="#">8</a>	<a href="#">45107-MCJ-006</a>	<a href="#">PISTON A</a>
<a href="#">9</a>	<a href="#">45117-MCJ-006</a>	<a href="#">PISTON B</a>
<a href="#">10</a>	<a href="#">45150-MCJ-006</a>	<a href="#">CALIPER SUB-ASSY.</a>
<a href="#">11</a>	<a href="#">45215-MCJ-006</a>	<a href="#">PIN, HANGER</a>
<a href="#">12</a>	<a href="#">45250-MCJ-006</a>	<a href="#">CALIPER SUB-ASSY.</a>
<a href="#">13</a>	<a href="#">90107-MAS-E01</a>	<a href="#">BOLT, TORX (8X35)</a>
<a href="#">14</a>	<a href="#">90108-MAS-E01</a>	<a href="#">BOLT, TORX (8X40)</a>
<a href="#">15</a>	<a href="#">90131-MCJ-000</a>	<a href="#">BOLT, FLANGE (8X25)</a>



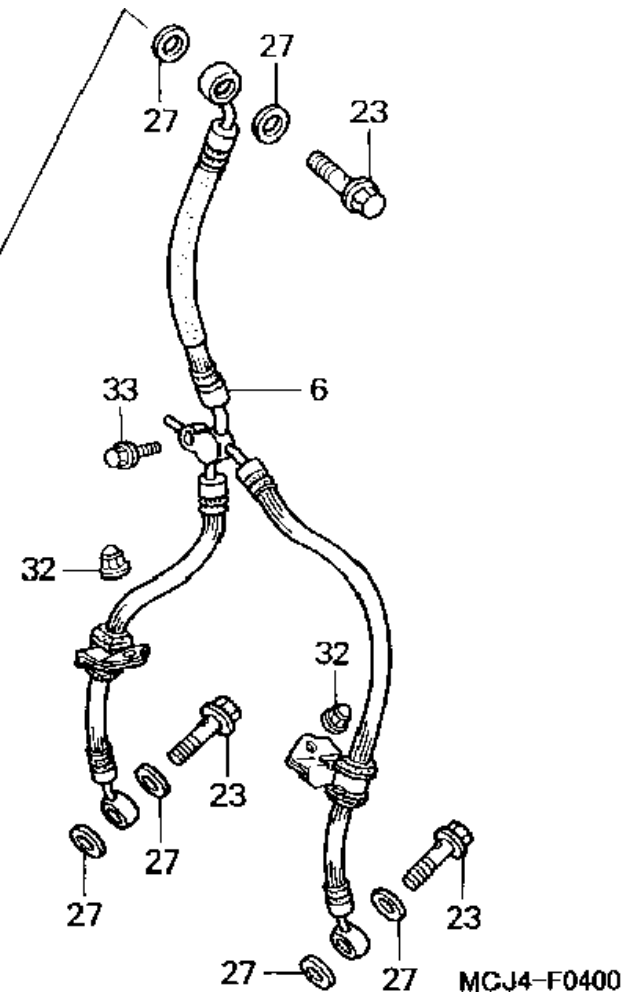
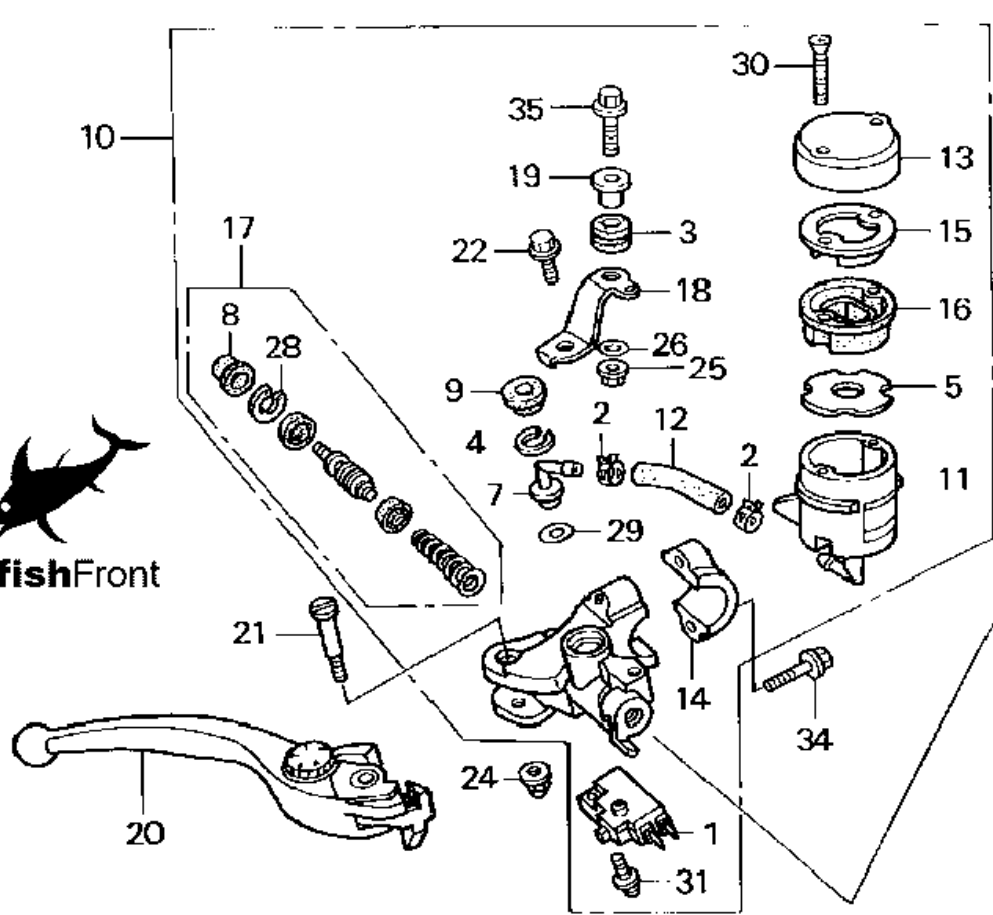
MCJ4-F0900

## 2000 HONDA CBR929RR - FRONT BRAKE MASTER CYLINDER

<b>CLICK BELOW FOR MORE INFO</b>		
No.	Part No.	Description
<a href="#">1</a>	<a href="#">35340-MM5-600</a>	<a href="#">SWITCH, FR. STOP</a>
<a href="#">2</a>	<a href="#">43514-KS6-701</a>	<a href="#">CLAMP</a>
<a href="#">3</a>	<a href="#">43516-MCJ-006</a>	<a href="#">RUBBER, OIL CUP</a>
<a href="#">4</a>	<a href="#">43517-KS6-701</a>	<a href="#">CIRCLIP, RR.</a>
<a href="#">5</a>	<a href="#">43523-MAH-671</a>	<a href="#">FLOAT, RR.</a>
<a href="#">6</a>	<a href="#">45125-MCJ-003</a>	<a href="#">HOSE COMP., FR. BRAK</a>
<a href="#">7</a>	<a href="#">45503-KV3-006</a>	<a href="#">CONNECTOR</a>
<a href="#">8</a>	<a href="#">45504-MCF-006</a>	<a href="#">BOOT COMP.</a>
<a href="#">9</a>	<a href="#">45505-KV3-006</a>	<a href="#">COVER, DUST</a>
<a href="#">10</a>	<a href="#">45510-MCJ-006</a>	<a href="#">M/CYL SUB-ASSY, FR.</a>
<a href="#">11</a>	<a href="#">45511-KV3-016</a>	<a href="#">CUP COMP., OIL</a>
<a href="#">12</a>	<a href="#">45512-MCJ-006</a>	<a href="#">HOSE, MASTER CYLINDE</a>
<a href="#">13</a>	<a href="#">45513-KV3-006</a>	<a href="#">CAP, OIL CUP</a>
<a href="#">14</a>	<a href="#">45517-166-006</a>	<a href="#">HOLDER</a>
<a href="#">15</a>	<a href="#">45518-KV3-006</a>	<a href="#">PLATE, DIAPHRAGM</a>
<a href="#">16</a>	<a href="#">45520-KV3-006</a>	<a href="#">DIAPHRAGM</a>
<a href="#">17</a>	<a href="#">45530-MCF-006</a>	<a href="#">MASTER CYLINDER SET</a>

<a href="#">18</a>	<a href="#">45550-MCJ-006</a>	<a href="#">STAY, FR. MASTER CYL</a>
<a href="#">19</a>	<a href="#">50324-425-010</a>	<a href="#">COLLAR (6.3X13)</a>
<a href="#">20</a>	<a href="#">53170-MCF-006</a>	<a href="#">LEVER ASSY., R. HAND</a>
<a href="#">21</a>	<a href="#">90114-MCF-006</a>	<a href="#">BOLT, HANDLE LEVER</a>
<a href="#">22</a>	<a href="#">90117-MR7-000</a>	<a href="#">BOLT, FLANGE (6X12)</a>
<a href="#">23</a>	<a href="#">90145-MS9-612</a>	<a href="#">BOLT, OIL (10X22)</a>
<a href="#">24</a>	<a href="#">90201-415-000</a>	<a href="#">NUT, CAP (6MM)</a>
<a href="#">25</a>	<a href="#">90301-MG3-000</a>	<a href="#">NUT, U (6MM)</a>
<a href="#">26</a>	<a href="#">90473-147-000</a>	<a href="#">WASHER (6X16)</a>
<a href="#">27</a>	<a href="#">90545-300-000</a>	<a href="#">WASHER, OIL BOLT</a>
<a href="#">28</a>	<a href="#">90651-MCF-006</a>	<a href="#">CIRCLIP</a>
<a href="#">29</a>	<a href="#">91212-422-006</a>	<a href="#">O-RING (14.8X2.4)</a>
<a href="#">30</a>	<a href="#">93600-04050-1G</a>	<a href="#">SCREW, FLAT (4X50)</a>
<a href="#">31</a>	<a href="#">93893-04012-07</a>	<a href="#">SCREW-WASHER (4X12)</a>
<a href="#">32</a>	<a href="#">94021-06070-0S</a>	<a href="#">NUT, CAP (6MM)</a>
<a href="#">33</a>	<a href="#">96001-06018-07</a>	<a href="#">BOLT, FLANGE (6X18)</a>
<a href="#">34</a>	<a href="#">96001-06022-07</a>	<a href="#">BOLT, FLANGE (6X22)</a>
<a href="#">35</a>	<a href="#">96300-06028-07</a>	<a href="#">BOLT, FLANGE (6X28)</a>

parts**fish**Front



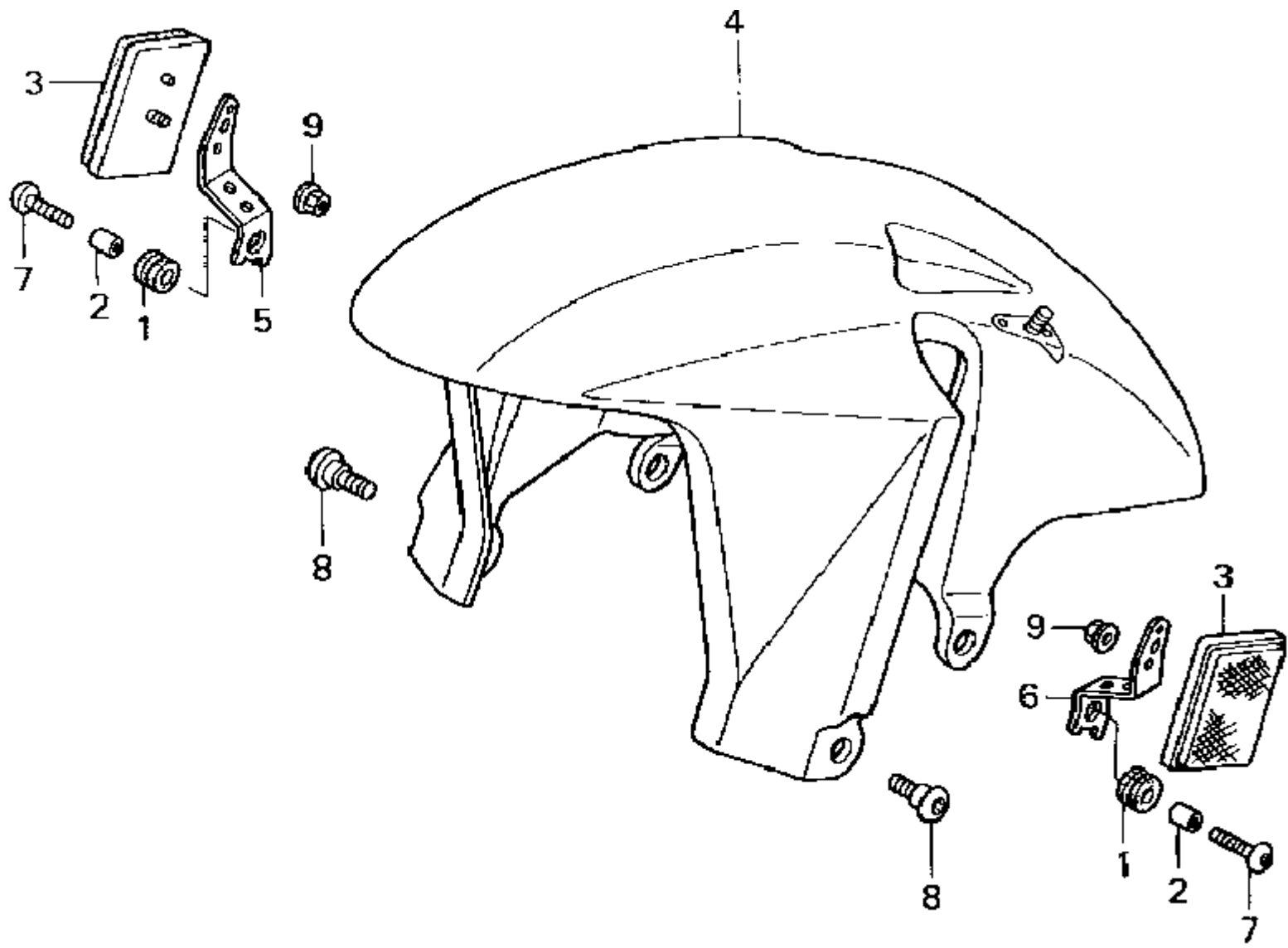
MCJ4-F0400

## 2000 HONDA CBR929RR

### FRONT FENDER

#### CLICK BELOW FOR MORE INFO

No.	Part No.	Description
<a href="#">1</a>	<a href="#">11344-MB0-000</a>	<a href="#">GROMMET A, RR. COVER</a>
<a href="#">2</a>	<a href="#">19103-KE8-000</a>	<a href="#">COLLAR, BATTERY TRAY</a>
<a href="#">3</a>	<a href="#">33741-MB2-671</a>	<a href="#">REFLECTOR, FR.</a>
<a href="#">4</a>	<a href="#">61100-MCJ-000ZG</a>	<a href="#">FENDER COMP., FR. *R</a>
<a href="#">4</a>	<a href="#">61100-MCJ-000ZH</a>	<a href="#">FENDER COMP., FR. *Y</a>
<a href="#">5</a>	<a href="#">61101-MCJ-670</a>	<a href="#">STAY, R. FR. REFLECT</a>
<a href="#">6</a>	<a href="#">61102-MCJ-670</a>	<a href="#">STAY, L. FR. REFLECT</a>
<a href="#">7</a>	<a href="#">90085-MZ1-000</a>	<a href="#">BOLT, SPECIAL (6X17)</a>
<a href="#">8</a>	<a href="#">90106-KCZ-000</a>	<a href="#">SCREW, SPECIAL (6MM)</a>
<a href="#">9</a>	<a href="#">94050-05070</a>	<a href="#">NUT, FLANGE (5MM)</a>



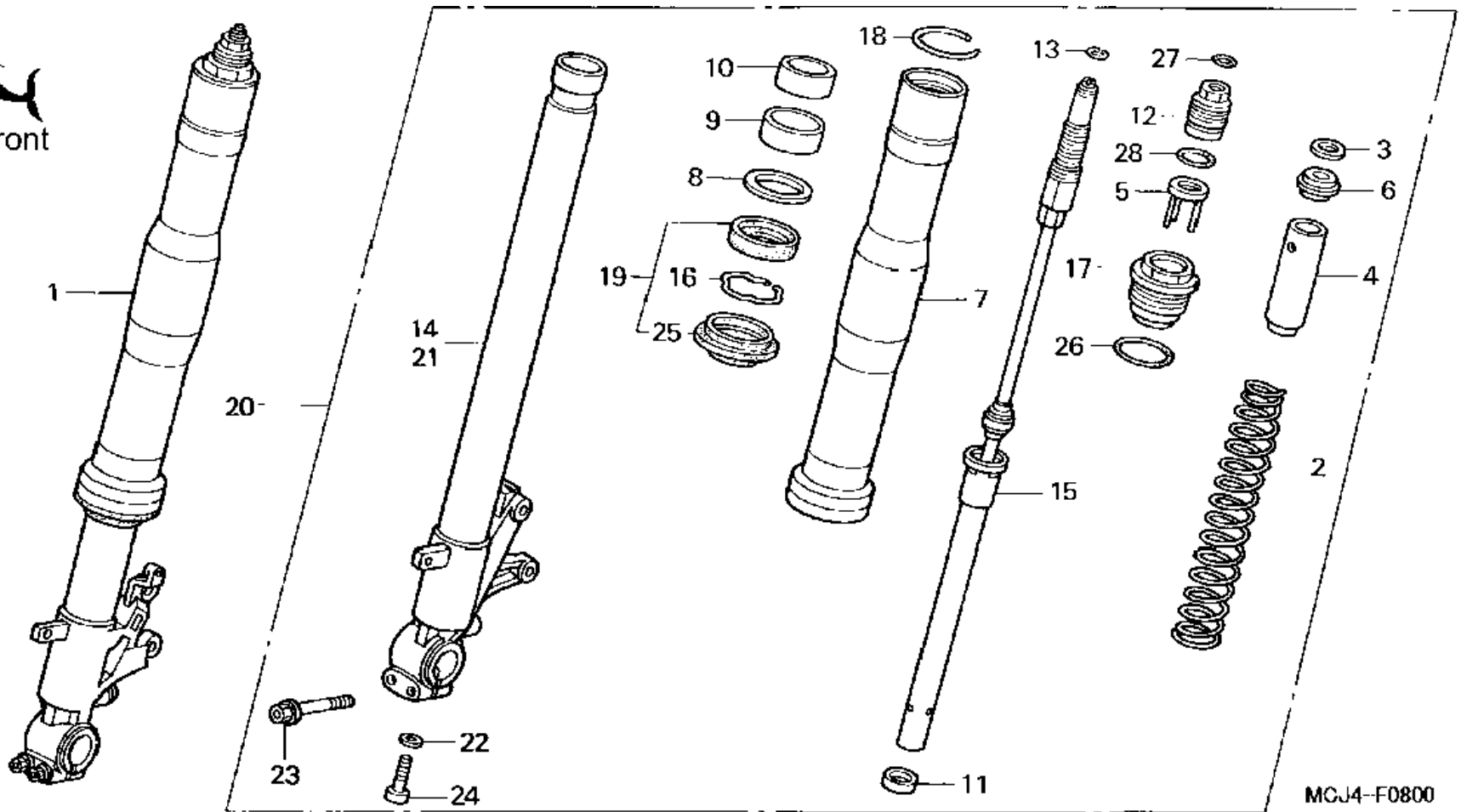
partsfishFront

## 2000 HONDA CBR929RR - FRONT FORK

CLICK BELOW FOR MORE INFO		
No.	Part No.	Description
<a href="#">1</a>	<a href="#">51400-MCJ-003</a>	<a href="#">FORK ASSY., R. FR.</a>
<a href="#">2</a>	<a href="#">51401-MCJ-003</a>	<a href="#">SPRING, FR. FORK</a>
<a href="#">3</a>	<a href="#">51403-MA0-771</a>	<a href="#">SEAT, SPRING</a>
<a href="#">4</a>	<a href="#">51403-MCF-003</a>	<a href="#">COLLAR, SPRING</a>
<a href="#">5</a>	<a href="#">51404-MT7-003</a>	<a href="#">PLATE COMP.</a>
<a href="#">6</a>	<a href="#">51406-MW4-003</a>	<a href="#">STOPPER, SPRING SEAT</a>
<a href="#">7</a>	<a href="#">51410-MCJ-003</a>	<a href="#">TUBE (OUTER)</a>
<a href="#">8</a>	<a href="#">51412-KA4-711</a>	<a href="#">RING, BACK-UP</a>
<a href="#">9</a>	<a href="#">51414-MCF-003</a>	<a href="#">BUSH, GUIDE</a>
<a href="#">10</a>	<a href="#">51415-MCF-003</a>	<a href="#">BUSH, SLIDER</a>
<a href="#">11</a>	<a href="#">51421-MW4-003</a>	<a href="#">PLATE, CENTERING</a>
<a href="#">12</a>	<a href="#">51422-MCJ-003</a>	<a href="#">ADJUSTER, SPRING</a>
<a href="#">13</a>	<a href="#">51423-MT7-003</a>	<a href="#">RING B, STOPPER</a>

<a href="#">14</a>	<a href="#">51425-MCJ-003</a>	<a href="#">PIPE, R. SLIDE</a>
<a href="#">15</a>	<a href="#">51430-MCJ-003</a>	<a href="#">DAMPER COMP., FR.</a>
<a href="#">16</a>	<a href="#">51447-KA4-711</a>	<a href="#">RING</a>
<a href="#">17</a>	<a href="#">51454-MCJ-003</a>	<a href="#">BOLT, FR. FORK</a>
<a href="#">18</a>	<a href="#">51455-MW4-003</a>	<a href="#">RING, STOPPER</a>
<a href="#">19</a>	<a href="#">51490-MCF-000</a>	<a href="#">SEAL SET, FR. FORK</a>
<a href="#">20</a>	<a href="#">51500-MCJ-003</a>	<a href="#">FORK ASSY., L. FR.</a>
<a href="#">21</a>	<a href="#">51525-MCJ-003</a>	<a href="#">PIPE, L. SLIDE</a>
<a href="#">22</a>	<a href="#">52442-KA3-711</a>	<a href="#">WASHER (10MM)</a>
<a href="#">23</a>	<a href="#">90108-MR7-000</a>	<a href="#">BOLT, FLANGE (8X40)</a>
<a href="#">24</a>	<a href="#">90126-MR7-003</a>	<a href="#">BOLT, SOCKET (10X35)</a>
<a href="#">25</a>	<a href="#">91256-MCF-003</a>	<a href="#">DUST SEAL</a>
<a href="#">26</a>	<a href="#">91258-GF4-003</a>	<a href="#">O-RING (42.2X2.4)</a>
<a href="#">27</a>	<a href="#">91311-MR7-003</a>	<a href="#">O-RING (13.8X2.4)</a>
<a href="#">28</a>	<a href="#">91351-MT7-003</a>	<a href="#">O-RING (23.7X2.4)</a>





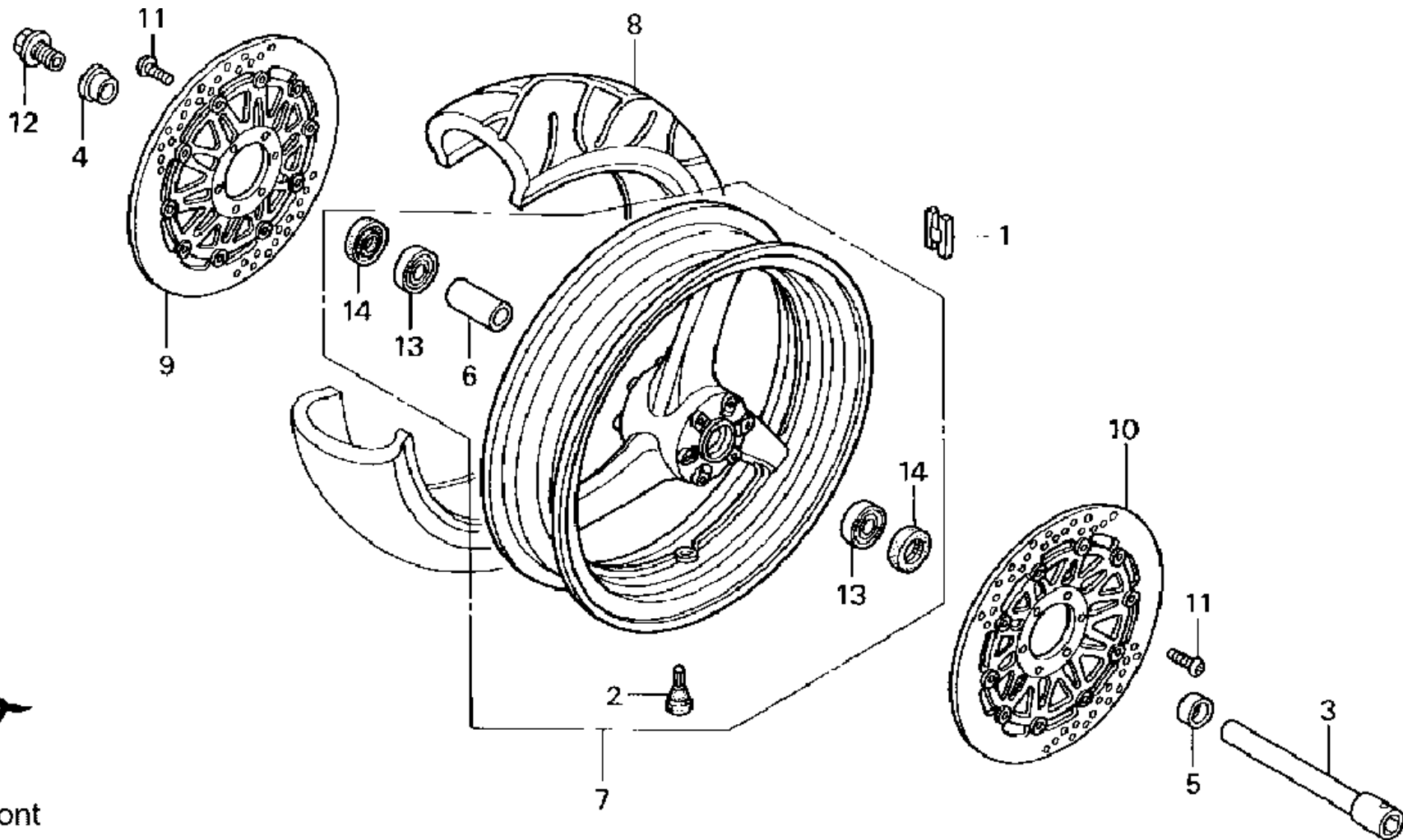
MCJ4-F0800

## 2000 HONDA CBR929RR

### FRONT WHEEL

#### CLICK BELOW FOR MORE INFO

No.	Part No.	Description
<a href="#">1</a>	<a href="#">42704-MB0-000</a>	<a href="#">WEIGHT (10G)</a>
<a href="#">1</a>	<a href="#">42705-MB0-000</a>	<a href="#">WEIGHT (20G)</a>
<a href="#">1</a>	<a href="#">42706-MB0-000</a>	<a href="#">WEIGHT (30G)</a>
<a href="#">2</a>	<a href="#">42753-ML7-003</a>	<a href="#">VALVE, RIM</a>
<a href="#">2</a>	<a href="#">42753-MT4-005</a>	<a href="#">VALVE, RIM</a>
<a href="#">3</a>	<a href="#">44301-MCJ-000</a>	<a href="#">AXLE, FR. WHEEL</a>
<a href="#">4</a>	<a href="#">44311-MCJ-000</a>	<a href="#">COLLAR, R. FR. WHEEL</a>
<a href="#">5</a>	<a href="#">44312-MCJ-000</a>	<a href="#">COLLAR, L. FR. WHEEL</a>
<a href="#">6</a>	<a href="#">44620-MCJ-000</a>	<a href="#">COLLAR, FR. WHEEL DI</a>
<a href="#">7</a>	<a href="#">44650-MCJ-670</a>	<a href="#">WHEEL SUB-ASSY., FR.</a>
<a href="#">8</a>	<a href="#">44711-MCJ-003</a>	<a href="#">TIRE (120/70ZR17)</a>
<a href="#">8</a>	<a href="#">44711-MCJ-007</a>	<a href="#">TIRE (120/70ZR17)</a>
<a href="#">9</a>	<a href="#">45120-MCJ-003</a>	<a href="#">DISK COMP., R. FR. B</a>
<a href="#">10</a>	<a href="#">45220-MCJ-003</a>	<a href="#">DISK COMP., L. FR. B</a>
<a href="#">11</a>	<a href="#">90106-MBB-000</a>	<a href="#">BOLT (6X17)</a>
<a href="#">12</a>	<a href="#">90305-MCJ-000</a>	<a href="#">BOLT, FR. AXLE</a>
<a href="#">13</a>	<a href="#">91052-MCF-000</a>	<a href="#">BEARING (6005)</a>
<a href="#">13</a>	<a href="#">91052-MCF-003</a>	<a href="#">BEARING (6005)</a>
<a href="#">14</a>	<a href="#">91252-MCJ-003</a>	<a href="#">DUST SEAL (31X47X7)</a>



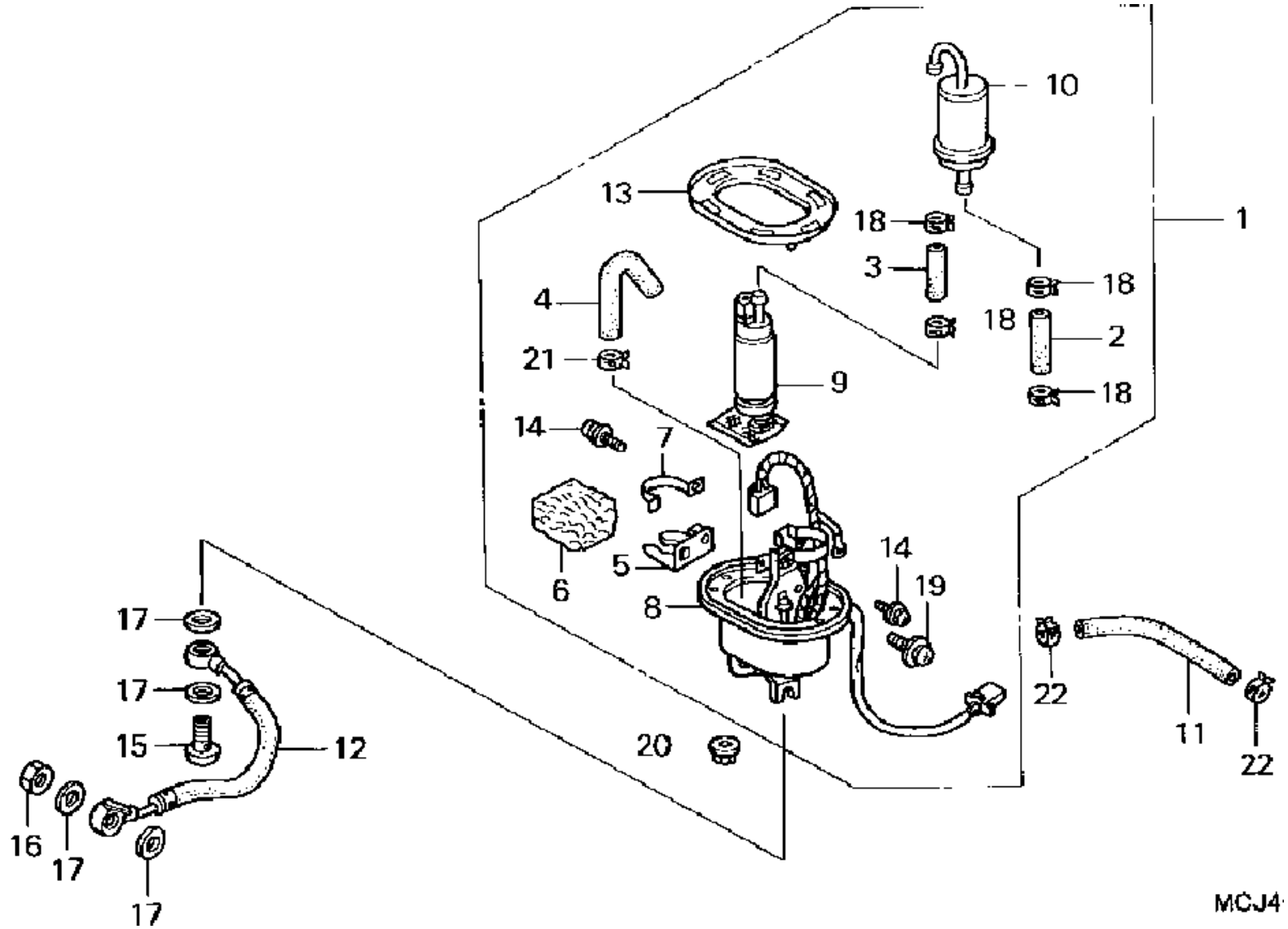
MCJ4-F1000

## 2000 HONDA CBR929RR

### FUEL PUMP

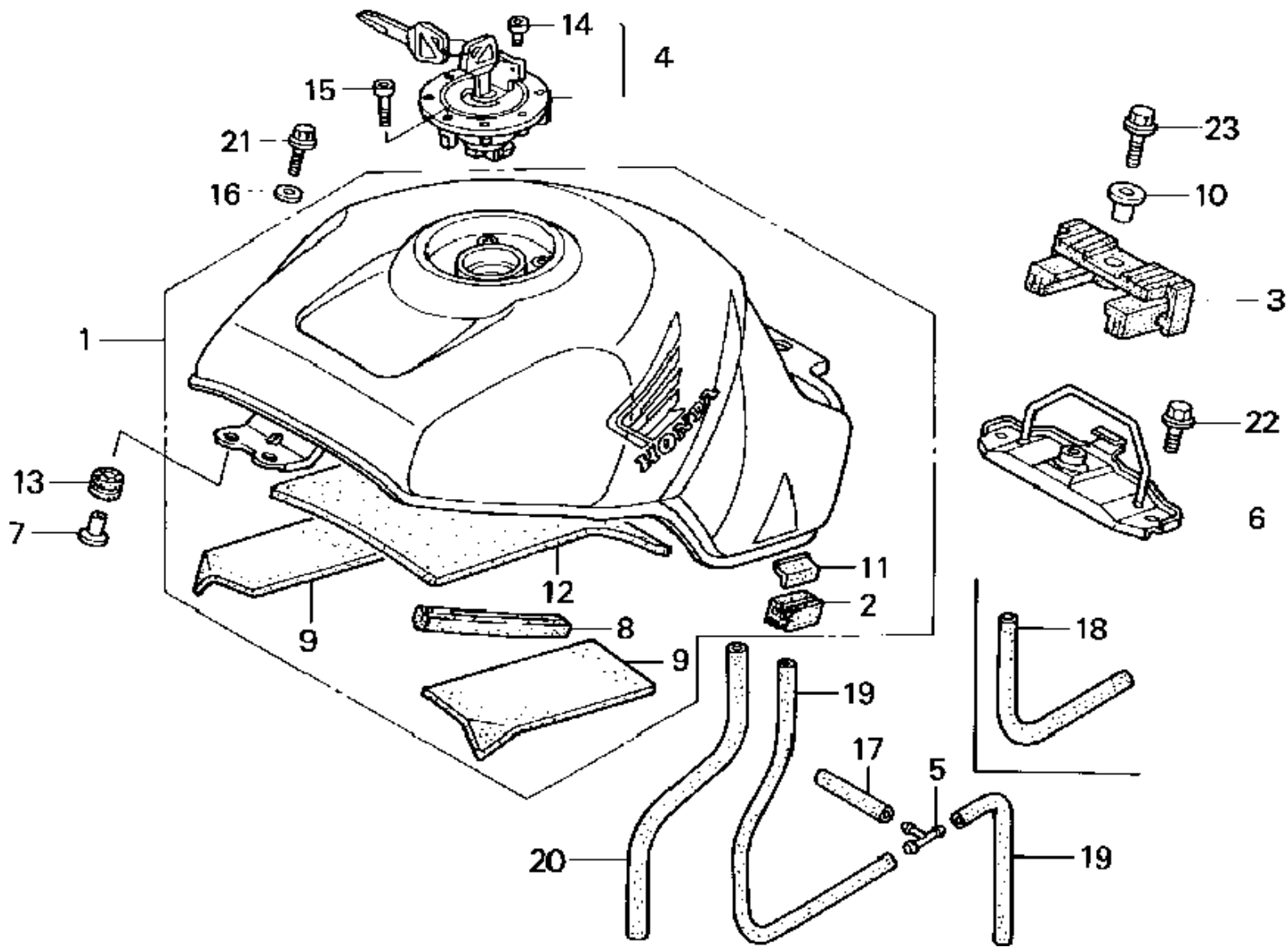
**CLICK BELOW FOR MORE INFO**

No.	Part No.	Description
<a href="#">1</a>	<a href="#">16700-MCJ-000</a>	<a href="#">PUMP UNIT, FUEL</a>
<a href="#">2</a>	<a href="#">16711-MAT-D00</a>	<a href="#">HOSE A, PUMP</a>
<a href="#">3</a>	<a href="#">16712-MAT-D01</a>	<a href="#">HOSE B, PUMP</a>
<a href="#">4</a>	<a href="#">16713-MBG-010</a>	<a href="#">TUBE</a>
<a href="#">5</a>	<a href="#">16714-MAT-D00</a>	<a href="#">STAY B COMP.</a>
<a href="#">6</a>	<a href="#">16714-MBG-000</a>	<a href="#">FILTER, FUEL RETURN</a>
<a href="#">7</a>	<a href="#">16717-MAT-D00</a>	<a href="#">BAND B</a>
<a href="#">8</a>	<a href="#">16720-MCJ-000</a>	<a href="#">STAY COMP., FUEL PUM</a>
<a href="#">9</a>	<a href="#">16730-MCJ-000</a>	<a href="#">PUMP SUB-ASSY., FUEL</a>
<a href="#">10</a>	<a href="#">16900-MBG-013</a>	<a href="#">FILTER COMP., FUEL</a>
<a href="#">11</a>	<a href="#">17525-MCJ-000</a>	<a href="#">HOSE, FUEL RETURN</a>
<a href="#">12</a>	<a href="#">17529-MCJ-000</a>	<a href="#">HOSE COMP., FUEL FEE</a>
<a href="#">13</a>	<a href="#">17574-MN5-000</a>	<a href="#">GASKET, BASE</a>
<a href="#">14</a>	<a href="#">90105-MBG-000</a>	<a href="#">SCREW-WASHER (4X8)</a>
<a href="#">15</a>	<a href="#">90108-MBG-000</a>	<a href="#">BOLT, BANJO (12MM)</a>
<a href="#">16</a>	<a href="#">90201-PD1-000</a>	<a href="#">NUT A (12MM)</a>
<a href="#">17</a>	<a href="#">90428-PD6-003</a>	<a href="#">WASHER (12MM)</a>
<a href="#">18</a>	<a href="#">91405-PD1-004</a>	<a href="#">CLAMP, TUBE (D12)</a>
<a href="#">19</a>	<a href="#">93893-05012-08</a>	<a href="#">SCREW-WASHER (5X12)</a>
<a href="#">20</a>	<a href="#">94050-06080</a>	<a href="#">NUT, FLANGE (6MM)</a>
<a href="#">21</a>	<a href="#">95002-40850-04</a>	<a href="#">CLIP, TUBE</a>
<a href="#">22</a>	<a href="#">95002-41050-08</a>	<a href="#">CLIP, TUBE (10.5MM)</a>



## 2000 HONDA CBR929RR - FUEL TANK

CLICK BELOW FOR MORE INFO		
No.	Part No.	Description
<a href="#">1</a>	<a href="#">17520-MCJ-670ZC</a>	<a href="#">TANK, FUEL (TYPE1)</a>
<a href="#">1</a>	<a href="#">17520-MCJ-670ZD</a>	<a href="#">TANK, FUEL (TYPE2)</a>
<a href="#">1</a>	<a href="#">17520-MCJ-770ZA</a>	<a href="#">TANK, FUEL (TYPE1)</a>
<a href="#">1</a>	<a href="#">17520-MCJ-770ZB</a>	<a href="#">TANK, FUEL (TYPE2)</a>
<a href="#">2</a>	<a href="#">17611-ML7-000</a>	<a href="#">RUBBER, FUEL TANK</a>
<a href="#">3</a>	<a href="#">17613-MV4-000</a>	<a href="#">CUSHION, RR.</a>
<a href="#">4</a>	<a href="#">17620-MAS-E01</a>	<a href="#">CAP, FUEL FILLER</a>
<a href="#">5</a>	<a href="#">36191-KV3-700</a>	<a href="#">JOINT, AIR FILTER</a>
<a href="#">6</a>	<a href="#">50255-MCJ-000</a>	<a href="#">STAY, RR. FUEL TANK</a>
<a href="#">7</a>	<a href="#">61104-422-000</a>	<a href="#">COLLAR, SETTING</a>
<a href="#">8</a>	<a href="#">64121-MCJ-000</a>	<a href="#">RUBBER, PROTECTOR</a>
<a href="#">9</a>	<a href="#">64253-MR8-300</a>	<a href="#">MAT C, COWL (LOWER)</a>
<a href="#">10</a>	<a href="#">80101-KB7-600</a>	<a href="#">COLLAR (8X12)</a>
<a href="#">11</a>	<a href="#">81214-MW0-300</a>	<a href="#">RUBBER, PROTECTOR</a>
<a href="#">12</a>	<a href="#">83151-MAJ-G00</a>	<a href="#">MAT A, SHELTER</a>
<a href="#">13</a>	<a href="#">84703-425-000</a>	<a href="#">RUBBER</a>
<a href="#">14</a>	<a href="#">90073-MT4-000</a>	<a href="#">BOLT, SOCKET (4X6)</a>
<a href="#">15</a>	<a href="#">90074-MT4-000</a>	<a href="#">BOLT, SOCKET (4X21)</a>
<a href="#">16</a>	<a href="#">90525-428-900</a>	<a href="#">WASHER, PLAIN (6MM)</a>
<a href="#">17</a>	<a href="#">95005-35001-20M</a>	<a href="#">BULK HOSE (3.5X1000)</a>
<a href="#">18</a>	<a href="#">95005-35001-20M</a>	<a href="#">BULK HOSE (3.5X1000)</a>
<a href="#">19</a>	<a href="#">95005-35001-20M</a>	<a href="#">BULK HOSE (3.5X1000)</a>
<a href="#">20</a>	<a href="#">95005-80001-50M</a>	<a href="#">BULK HOSE (8X1000)</a>
<a href="#">21</a>	<a href="#">96001-06028-07</a>	<a href="#">BOLT, FLANGE (6X28)</a>
<a href="#">22</a>	<a href="#">96300-08018-00</a>	<a href="#">BOLT, FLANGE (8X18)</a>
<a href="#">23</a>	<a href="#">96300-08025-00</a>	<a href="#">BOLT, FLANGE (8X25)</a>



## 2000 HONDA CBR929RR

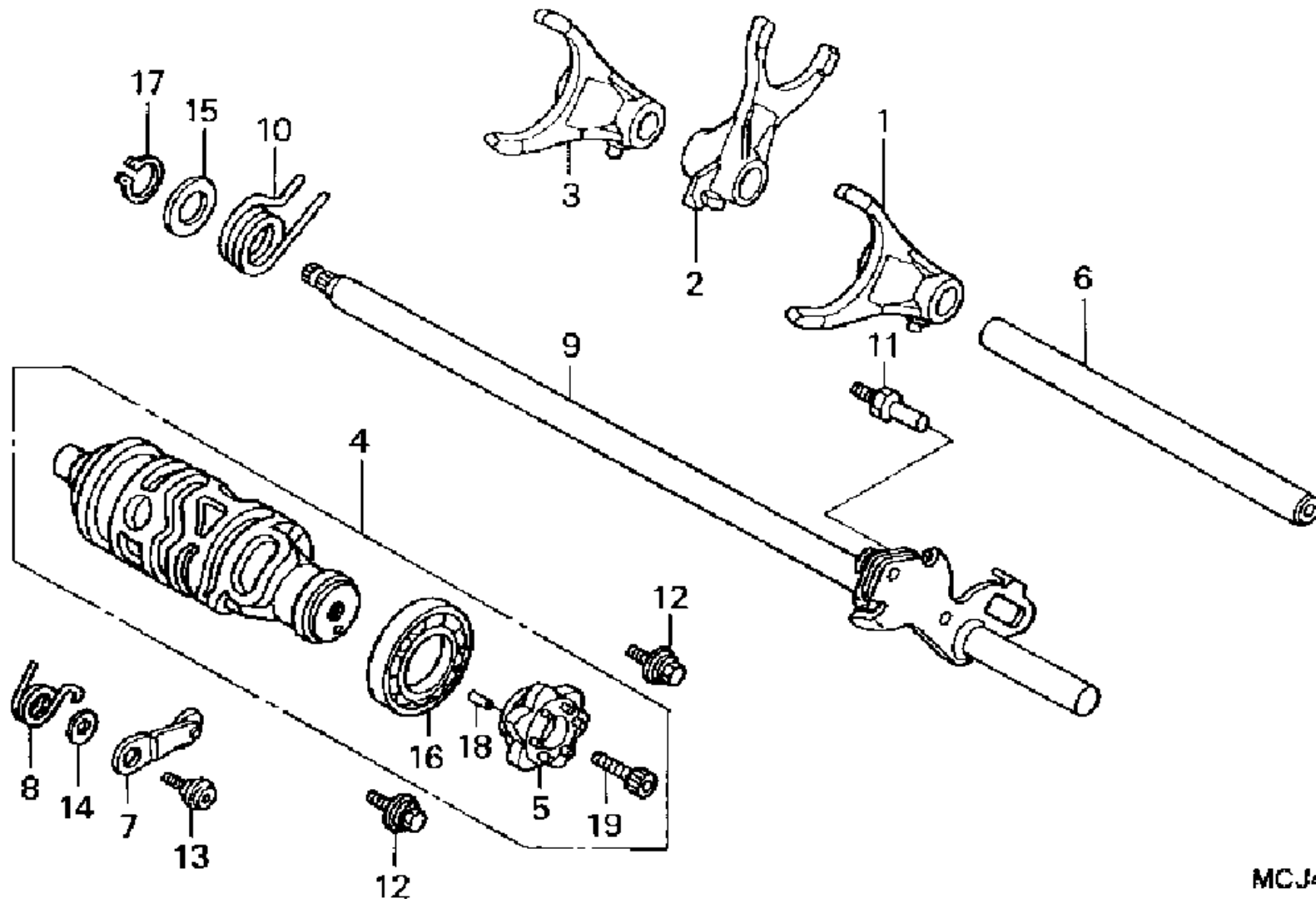
### GEARSHIFT DRUM

#### CLICK BELOW FOR MORE INFO

No.	Part No.	Description
<a href="#">1</a>	<a href="#">24211-MCJ-010</a>	<a href="#">FORK, R. GEARSHIFT</a>
<a href="#">1</a>	<a href="#">24211-MCJ-020</a>	<a href="#">FORK, R. GEARSHIFT</a>
<a href="#">2</a>	<a href="#">24212-MCJ-010</a>	<a href="#">FORK, CENTER GEARSHI</a>
<a href="#">3</a>	<a href="#">24213-MCJ-010</a>	<a href="#">FORK, L. GEARSHIFT</a>
<a href="#">3</a>	<a href="#">24213-MCJ-020</a>	<a href="#">FORK, L. GEARSHIFT</a>
<a href="#">4</a>	<a href="#">24310-MCJ-000</a>	<a href="#">DRUM COMP., GEARSHIF</a>
<a href="#">5</a>	<a href="#">24315-MAS-E00</a>	<a href="#">CENTER, SHIFT DRUM</a>
<a href="#">6</a>	<a href="#">24321-MAS-000</a>	<a href="#">SHAFT</a>
<a href="#">7</a>	<a href="#">24430-MAS-E00</a>	<a href="#">STOPPER COMP.</a>
<a href="#">8</a>	<a href="#">24435-MCJ-000</a>	<a href="#">SPRING, GEARSHIFT DR</a>
<a href="#">9</a>	<a href="#">24610-MCJ-000</a>	<a href="#">SPINDLE COMP., GEARS</a>
<a href="#">10</a>	<a href="#">24651-MAS-E00</a>	<a href="#">SPRING, SHIFT RETURN</a>
<a href="#">11</a>	<a href="#">24652-035-000</a>	<a href="#">PIN</a>
<a href="#">12</a>	<a href="#">90021-MM5-000</a>	<a href="#">BOLT-WASHER (6X12)</a>
<a href="#">13</a>	<a href="#">90022-MY5-600</a>	<a href="#">PIVOT</a>
<a href="#">14</a>	<a href="#">90417-360-000</a>	<a href="#">WASHER, DRUM STOPPER</a>
<a href="#">15</a>	<a href="#">90451-155-000</a>	<a href="#">WASHER (14MM)</a>
<a href="#">16</a>	<a href="#">91008-374-003</a>	<a href="#">BEARING (16005)</a>
<a href="#">17</a>	<a href="#">94510-14000</a>	<a href="#">CIRCLIP (14MM)</a>
<a href="#">18</a>	<a href="#">96220-40080</a>	<a href="#">ROLLER (4X8)</a>
<a href="#">19</a>	<a href="#">96600-08020-10</a>	<a href="#">BOLT, SOCKET (8X20)</a>







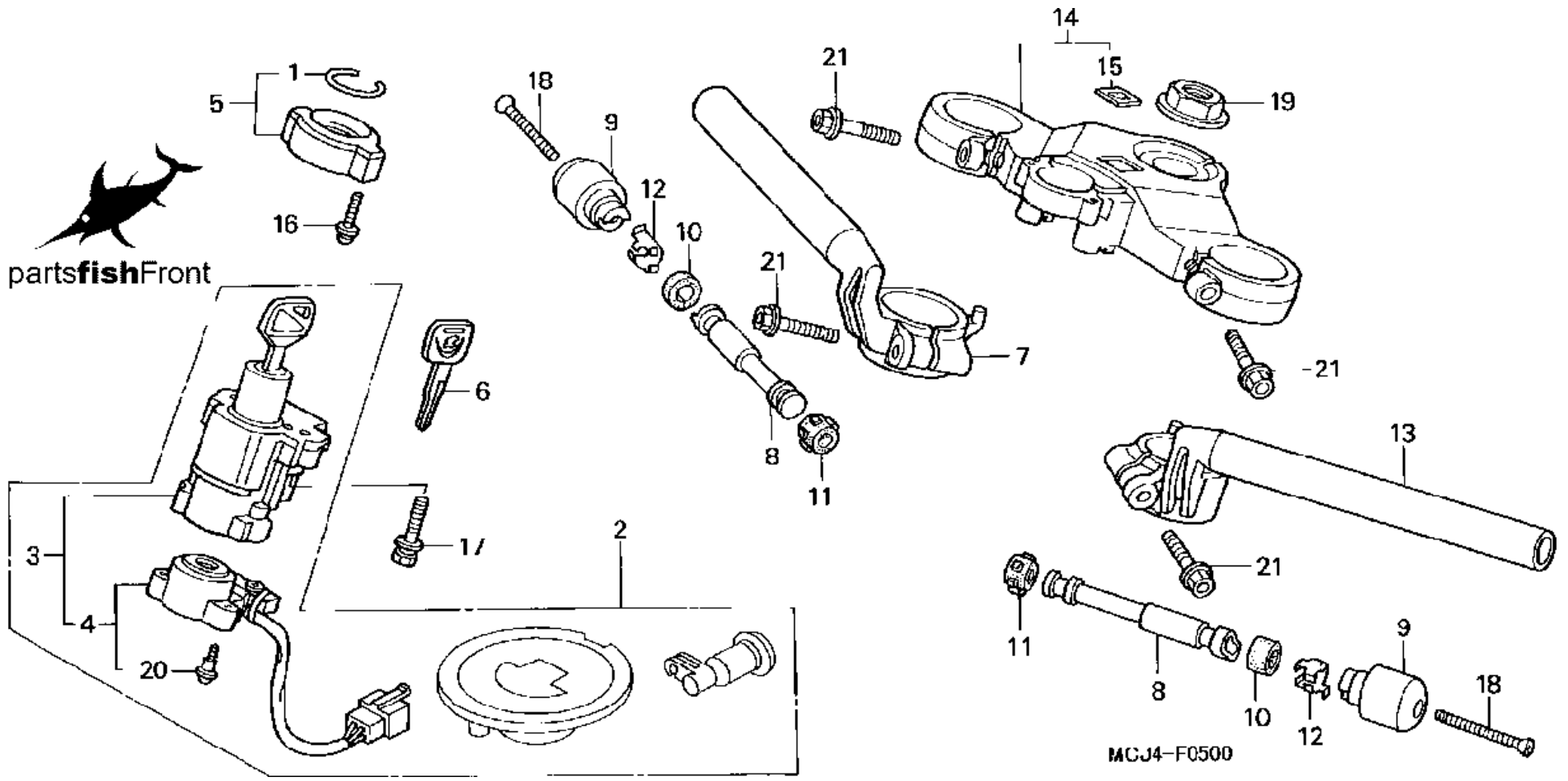
MCJ4-E1600

## 2000 HONDA CBR929RR

### HANDLEBAR TOP BRIDGE

#### CLICK BELOW FOR MORE INFO

No.	Part No.	Description
<a href="#">1</a>	<a href="#">30433-MBW-600</a>	<a href="#">SEAL</a>
<a href="#">2</a>	<a href="#">35010-MCJ-670</a>	<a href="#">LOCK SET</a>
<a href="#">3</a>	<a href="#">35100-MCJ-671</a>	<a href="#">SWITCH ASSY., COMBIN</a>
<a href="#">4</a>	<a href="#">35101-MCJ-671</a>	<a href="#">BASE COMP., CONTACT</a>
<a href="#">5</a>	<a href="#">35106-MAT-A00</a>	<a href="#">COVER</a>
<a href="#">6</a>	<a href="#">35121-MAS-G01</a>	<a href="#">KEY, BLANK (TYPE1)</a>
<a href="#">7</a>	<a href="#">53100-MCJ-000</a>	<a href="#">HANDLEBAR COMP., R.</a>
<a href="#">8</a>	<a href="#">53104-MV4-000</a>	<a href="#">WEIGHT B, HANDLEBAR</a>
<a href="#">9</a>	<a href="#">53105-MN4-010</a>	<a href="#">WEIGHT, HANDLEBAR</a>
<a href="#">10</a>	<a href="#">53106-MJ0-000</a>	<a href="#">RUBBER</a>
<a href="#">11</a>	<a href="#">53106-MV9-000</a>	<a href="#">RUBBER A</a>
<a href="#">12</a>	<a href="#">53108-MJ0-000</a>	<a href="#">RING</a>
<a href="#">13</a>	<a href="#">53150-MCJ-000</a>	<a href="#">HANDLEBAR COMP., L.</a>
<a href="#">14</a>	<a href="#">53300-MCJ-000</a>	<a href="#">BRIDGE COMP., FORK T</a>
<a href="#">16</a>	<a href="#">90020-MBW-610</a>	<a href="#">SCREW-WASHER (5X22)</a>
<a href="#">17</a>	<a href="#">90107-MBG-000</a>	<a href="#">BOLT, ONE-WAY (8MM)</a>
<a href="#">18</a>	<a href="#">90191-KBG-000</a>	<a href="#">SCREW, OVAL (6X65)</a>
<a href="#">19</a>	<a href="#">90304-MJ4-670</a>	<a href="#">NUT, STEERING STEM</a>
<a href="#">20</a>	<a href="#">91059-KY2-711</a>	<a href="#">SCREW, TAP (3X16)</a>
<a href="#">21</a>	<a href="#">96300-08040-07</a>	<a href="#">BOLT, FLANGE (8X40)</a>



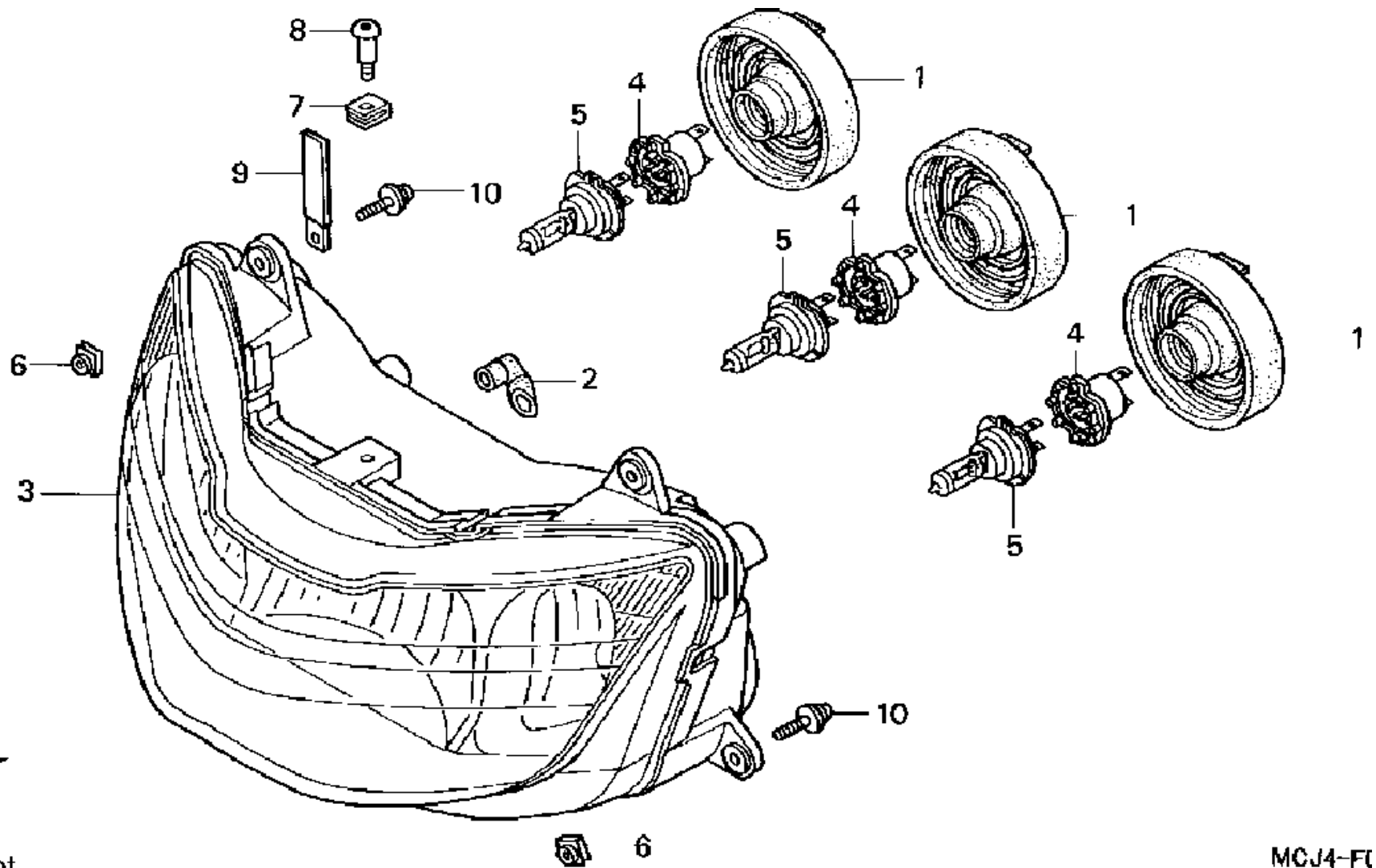
MCJ4-F0500

## 2000 HONDA CBR929RR

### HEADLIGHT

#### CLICK BELOW FOR MORE INFO

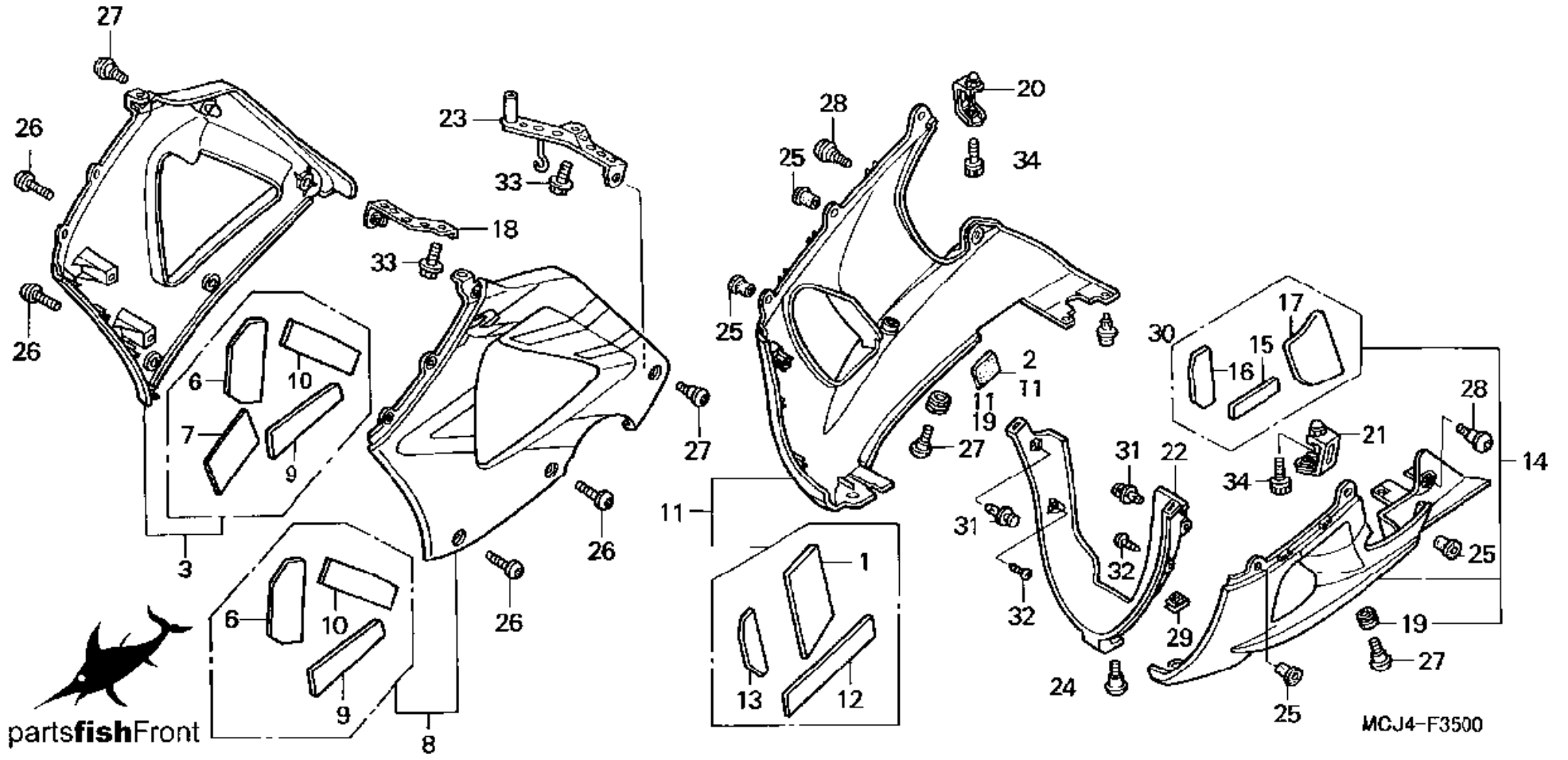
No.	Part No.	Description
<a href="#">1</a>	<a href="#">33112-MAT-611</a>	<a href="#">COVER, RUBBER</a>
<a href="#">2</a>	<a href="#">33113-MAT-611</a>	<a href="#">PIPE, CLIP</a>
<a href="#">3</a>	<a href="#">33120-MCJ-671</a>	<a href="#">HEADLIGHT UNIT</a>
<a href="#">4</a>	<a href="#">33130-MAT-611</a>	<a href="#">SOCKET, HEADLIGHT</a>
<a href="#">5</a>	<a href="#">34901-MAT-611</a>	<a href="#">BULB (H7) (12V/55W)</a>
<a href="#">6</a>	<a href="#">61306-167-000</a>	<a href="#">NUT</a>
<a href="#">7</a>	<a href="#">84601-HC4-000</a>	<a href="#">NUT, FENDER SETTING</a>
<a href="#">8</a>	<a href="#">90107-MCJ-000</a>	<a href="#">BOLT, SPECIAL (6MM)</a>
<a href="#">9</a>	<a href="#">91411-679-000</a>	<a href="#">CLIP</a>
<a href="#">10</a>	<a href="#">93894-05025-07</a>	<a href="#">SCREW-WASHER (5X25)</a>
<a href="#">11</a>	<a href="#">94102-08700</a>	<a href="#">WASHER, PLAIN (8MM)</a>



## 2000 HONDA CBR929RR - LOWER COWL

<b>CLICK BELOW FOR MORE INFO</b>		
No.	Part No.	Description
<a href="#">1</a>	<a href="#">17570-MW4-300</a>	<a href="#">MAT, FUEL TANK</a>
<a href="#">2</a>	<a href="#">50283-MR7-300</a>	<a href="#">RUBBER, SEAT RAIL</a>
<a href="#">3</a>	<a href="#">64300-MCJ-670ZC</a>	<a href="#">COWL SET, R. (TYPE1)</a>
<a href="#">3</a>	<a href="#">64300-MCJ-670ZD</a>	<a href="#">COWL SET, R. (TYPE2)</a>
<a href="#">6</a>	<a href="#">64307-MCJ-670</a>	<a href="#">MAT C, MIDDLE COWL</a>
<a href="#">7</a>	<a href="#">64321-MCJ-300</a>	<a href="#">GUARD, MIDDLE COWL H</a>
<a href="#">8</a>	<a href="#">64350-MCJ-670ZC</a>	<a href="#">COWL SET, L. (TYPE1)</a>
<a href="#">8</a>	<a href="#">64350-MCJ-670ZD</a>	<a href="#">COWL SET, L. (TYPE2)</a>
<a href="#">9</a>	<a href="#">64355-MCJ-670</a>	<a href="#">MAT A, L. MIDDLE COW</a>
<a href="#">10</a>	<a href="#">64356-MCJ-670</a>	<a href="#">MAT B, L. MIDDLE COW</a>
<a href="#">11</a>	<a href="#">64400-MCJ-670ZC</a>	<a href="#">COWL SET, R. (TYPE1)</a>
<a href="#">11</a>	<a href="#">64400-MCJ-670ZD</a>	<a href="#">COWL SET, R. (TYPE2)</a>
<a href="#">12</a>	<a href="#">64404-MCJ-670</a>	<a href="#">MAT A, R. COWL</a>
<a href="#">13</a>	<a href="#">64405-MCJ-670</a>	<a href="#">MAT B, R. COWL</a>
<a href="#">14</a>	<a href="#">64450-MCJ-670ZC</a>	<a href="#">COWL SET, L. (TYPE1)</a>
<a href="#">14</a>	<a href="#">64450-MCJ-670ZD</a>	<a href="#">COWL SET, L. (TYPE2)</a>
<a href="#">15</a>	<a href="#">64471-MCJ-670</a>	<a href="#">MAT A, L. COWL</a>
<a href="#">16</a>	<a href="#">64472-MCJ-670</a>	<a href="#">MAT B, L. COWL</a>

<a href="#">17</a>	<a href="#">64473-MCJ-670</a>	<a href="#">MAT C, L. COWL</a>
<a href="#">18</a>	<a href="#">64531-MCJ-000</a>	<a href="#">STAY, R. MIDDLE COWL</a>
<a href="#">19</a>	<a href="#">64535-MCJ-000</a>	<a href="#">RUBBER, COWL (LOWER)</a>
<a href="#">20</a>	<a href="#">64541-MCJ-000</a>	<a href="#">STAY, COWL LOW</a>
<a href="#">21</a>	<a href="#">64542-MCJ-000</a>	<a href="#">STAY, L. COWL</a>
<a href="#">22</a>	<a href="#">64560-MCJ-000ZA</a>	<a href="#">COWL (LOWER) *NH1*</a>
<a href="#">23</a>	<a href="#">64581-MCJ-000</a>	<a href="#">STAY, L. MIDDLE COWL</a>
<a href="#">24</a>	<a href="#">90104-MN4-000</a>	<a href="#">SCREW (6X19)</a>
<a href="#">25</a>	<a href="#">90111-KW3-003</a>	<a href="#">NUT (5MM)</a>
<a href="#">26</a>	<a href="#">90113-MCJ-000</a>	<a href="#">SCREW, PAN (5X15)</a>
<a href="#">27</a>	<a href="#">90114-MCJ-000</a>	<a href="#">SCREW (6X16)</a>
<a href="#">28</a>	<a href="#">90117-MCJ-000</a>	<a href="#">SCREW (5X14)</a>
<a href="#">29</a>	<a href="#">90321-MM5-000</a>	<a href="#">NUT, CLIP (6MM)</a>
<a href="#">30</a>	<a href="#">90683-MBW-003</a>	<a href="#">CLIP, BODY</a>
<a href="#">31</a>	<a href="#">91549-MW0-790</a>	<a href="#">CLIP, PANEL FIXING</a>
<a href="#">31</a>	<a href="#">91549-MW0-790ZA</a>	<a href="#">CLIP *NH1*</a>
<a href="#">32</a>	<a href="#">93903-24380</a>	<a href="#">SCREW, TAP (4X12)</a>
<a href="#">33</a>	<a href="#">96300-06012-07</a>	<a href="#">BOLT, FLANGE (6X12)</a>
<a href="#">34</a>	<a href="#">96600-06020-00</a>	<a href="#">BOLT, SOCKET (6X20)</a>
<a href="#">34</a>	<a href="#">96700-06020-00</a>	<a href="#">BOLT, SOCKET (6X20)</a>

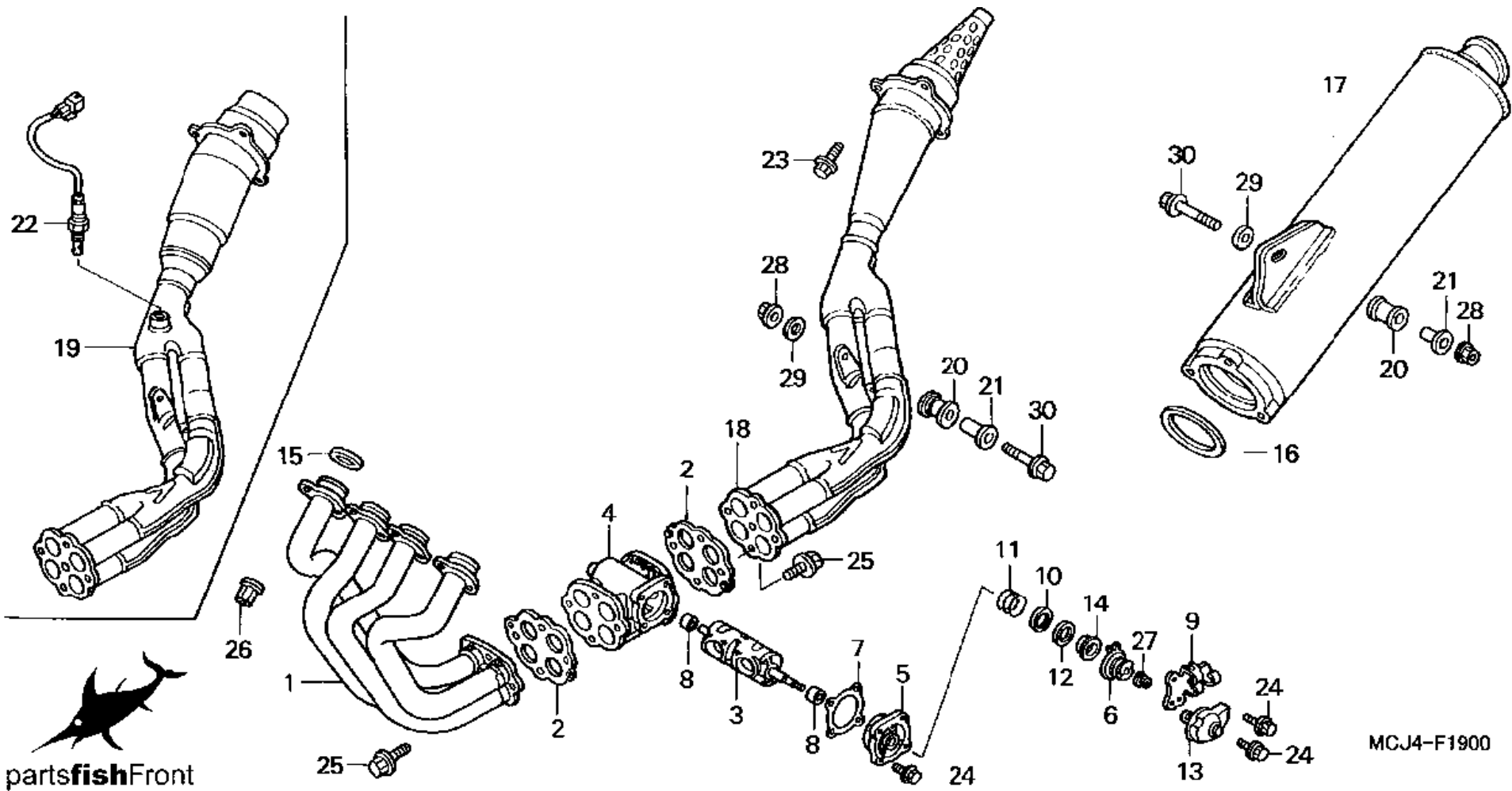




## 2000 HONDA CBR929RR - MUFFLER

CLICK BELOW FOR MORE INFO		
No.	Part No.	Description
<a href="#">1</a>	<a href="#">18150-MCJ-003</a>	<a href="#">PIPE COMP., EX.</a>
<a href="#">2</a>	<a href="#">18151-MCJ-003</a>	<a href="#">GASKET, EX. VALVE</a>
<a href="#">3</a>	<a href="#">18171-MCJ-010</a>	<a href="#">VALVE, EX.</a>
<a href="#">4</a>	<a href="#">18172-MCJ-000</a>	<a href="#">BODY, EX. VALVE</a>
<a href="#">5</a>	<a href="#">18173-MCJ-000</a>	<a href="#">COVER, EX. VALVE</a>
<a href="#">6</a>	<a href="#">18174-MCJ-000</a>	<a href="#">CABLE, GUIDE VALVE</a>
<a href="#">7</a>	<a href="#">18175-MCJ-003</a>	<a href="#">COVER, GASKET</a>
<a href="#">8</a>	<a href="#">18176-MCJ-000</a>	<a href="#">BUSH</a>
<a href="#">9</a>	<a href="#">18179-MCJ-000</a>	<a href="#">STAY, EX. VALVE CABL</a>
<a href="#">10</a>	<a href="#">18181-MCJ-000</a>	<a href="#">WASHER A, THRUST</a>
<a href="#">11</a>	<a href="#">18182-MCJ-000</a>	<a href="#">SPRING, THRUST</a>
<a href="#">12</a>	<a href="#">18183-MCJ-000</a>	<a href="#">WASHER B, THRUST</a>
<a href="#">13</a>	<a href="#">18184-MCJ-000</a>	<a href="#">COVER, EX. VALVE</a>
<a href="#">14</a>	<a href="#">18185-MCJ-000</a>	<a href="#">RETAINER, SPRING</a>
<a href="#">15</a>	<a href="#">18291-MM5-860</a>	<a href="#">GASKET, EX. PIPE</a>
<a href="#">16</a>	<a href="#">18292-MCJ-000</a>	<a href="#">GASKET, MUFFLER</a>

<a href="#">17</a>	<a href="#">18310-MCJ-671</a>	<a href="#">MUFFLER COMP.</a>
<a href="#">17</a>	<a href="#">18310-MCJ-771</a>	<a href="#">MUFFLER COMP.</a>
<a href="#">18</a>	<a href="#">18380-MCJ-003</a>	<a href="#">JOINT COMP., EX.</a>
<a href="#">19</a>	<a href="#">18380-MCJ-611</a>	<a href="#">JOINT COMP., EX.</a>
<a href="#">20</a>	<a href="#">18421-MA6-000</a>	<a href="#">RUBBER</a>
<a href="#">21</a>	<a href="#">18422-MA6-000</a>	<a href="#">COLLAR</a>
<a href="#">23</a>	<a href="#">90101-MW0-000</a>	<a href="#">BOLT, FLANGE (8X20)</a>
<a href="#">23</a>	<a href="#">96300-08020-00</a>	<a href="#">BOLT, FLANGE (8X20)</a>
<a href="#">24</a>	<a href="#">90101-MY1-000</a>	<a href="#">BOLT, FLANGE (6X12)</a>
<a href="#">25</a>	<a href="#">90111-MCJ-000</a>	<a href="#">BOLT, FLANGE (6X16)</a>
<a href="#">26</a>	<a href="#">90304-MM5-000</a>	<a href="#">NUT, FLANGE (7MM)</a>
<a href="#">27</a>	<a href="#">94050-06020</a>	<a href="#">NUT, FLANGE (6MM)</a>
<a href="#">28</a>	<a href="#">94050-08000</a>	<a href="#">NUT, FLANGE (8MM)</a>
<a href="#">29</a>	<a href="#">94103-08000</a>	<a href="#">WASHER, PLAIN (8MM)</a>
<a href="#">30</a>	<a href="#">96400-08045-00</a>	<a href="#">BOLT, FLANGE (8X45)</a>
<a href="#">31</a>	<a href="#">18293-MN0-000</a>	<a href="#">RUBBER, PROTECTOR</a>
<a href="#">32</a>	<a href="#">90683-KJ2-003</a>	<a href="#">CLIP, WIRE HARNESS</a>



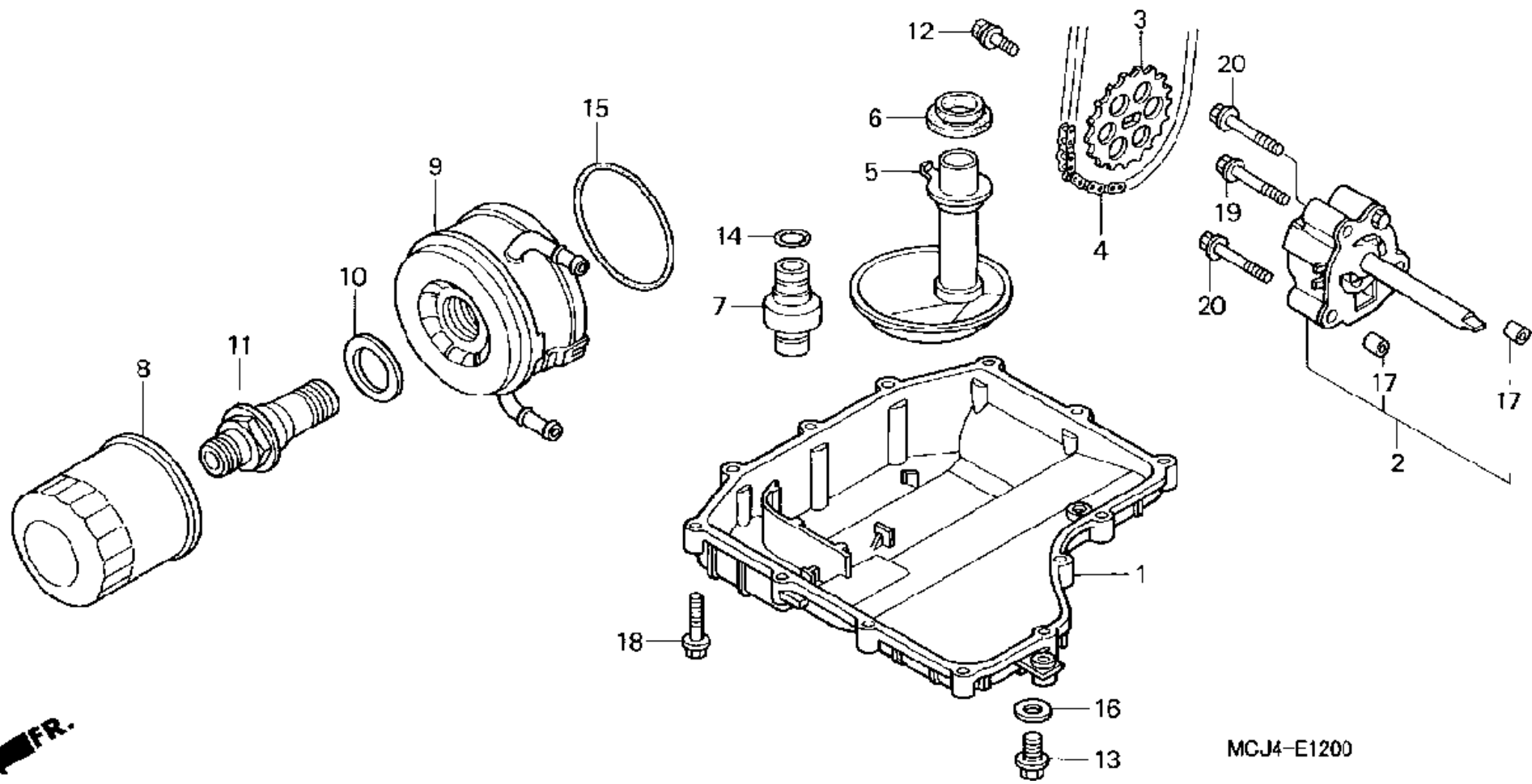
## 2000 HONDA CBR929RR

### OIL PAN OIL PUMP

#### CLICK BELOW FOR MORE INFO

No.	Part No.	Description
<a href="#">1</a>	<a href="#">11210-MCJ-000</a>	<a href="#">PAN, OIL</a>
<a href="#">2</a>	<a href="#">15100-MBW-000</a>	<a href="#">PUMP ASSY., OIL</a>
<a href="#">3</a>	<a href="#">15134-MV9-670</a>	<a href="#">SPROCKET (26T)</a>
<a href="#">4</a>	<a href="#">15140-415-003</a>	<a href="#">CHAIN (52L)</a>
<a href="#">5</a>	<a href="#">15150-MCJ-000</a>	<a href="#">STRAINER COMP., OIL</a>
<a href="#">6</a>	<a href="#">15154-MM5-000</a>	<a href="#">GASKET, OIL STRAINER</a>
<a href="#">7</a>	<a href="#">15220-MW0-000</a>	<a href="#">VALVE ASSY., RELIEF</a>
<a href="#">8</a>	<a href="#">15410-MCJ-000</a>	<a href="#">FILTER, OIL</a>
<a href="#">9</a>	<a href="#">15600-MCJ-000</a>	<a href="#">COOLER COMP., OIL</a>
<a href="#">10</a>	<a href="#">23929-PX4-700</a>	<a href="#">WASHER (24MM)</a>
<a href="#">11</a>	<a href="#">90019-MCJ-000</a>	<a href="#">BOLT, OIL COOLER</a>
<a href="#">12</a>	<a href="#">90021-MM5-000</a>	<a href="#">BOLT-WASHER (6X12)</a>
<a href="#">13</a>	<a href="#">90131-883-000</a>	<a href="#">BOLT, DRAIN PLUG</a>
<a href="#">13</a>	<a href="#">90131-896-650</a>	<a href="#">BOLT, DRAIN PLUG</a>
<a href="#">14</a>	<a href="#">91313-MB0-003</a>	<a href="#">O-RING (14.7X2.2)</a>
<a href="#">14</a>	<a href="#">91313-MG7-004</a>	<a href="#">O-RING (14.8X2.2)</a>
<a href="#">15</a>	<a href="#">91316-PE7-730</a>	<a href="#">O-RING (62.4X3.1)</a>
<a href="#">16</a>	<a href="#">94109-12000</a>	<a href="#">WASHER (12MM)</a>
<a href="#">17</a>	<a href="#">94301-08140</a>	<a href="#">PIN, DOWEL (8X14)</a>
<a href="#">18</a>	<a href="#">95701-06028-00</a>	<a href="#">BOLT, FLANGE (6X28)</a>
<a href="#">19</a>	<a href="#">95701-06035-00</a>	<a href="#">BOLT, FLANGE (6X35)</a>
<a href="#">20</a>	<a href="#">95701-06040-00</a>	<a href="#">BOLT, FLANGE (6X40)</a>

←FR.



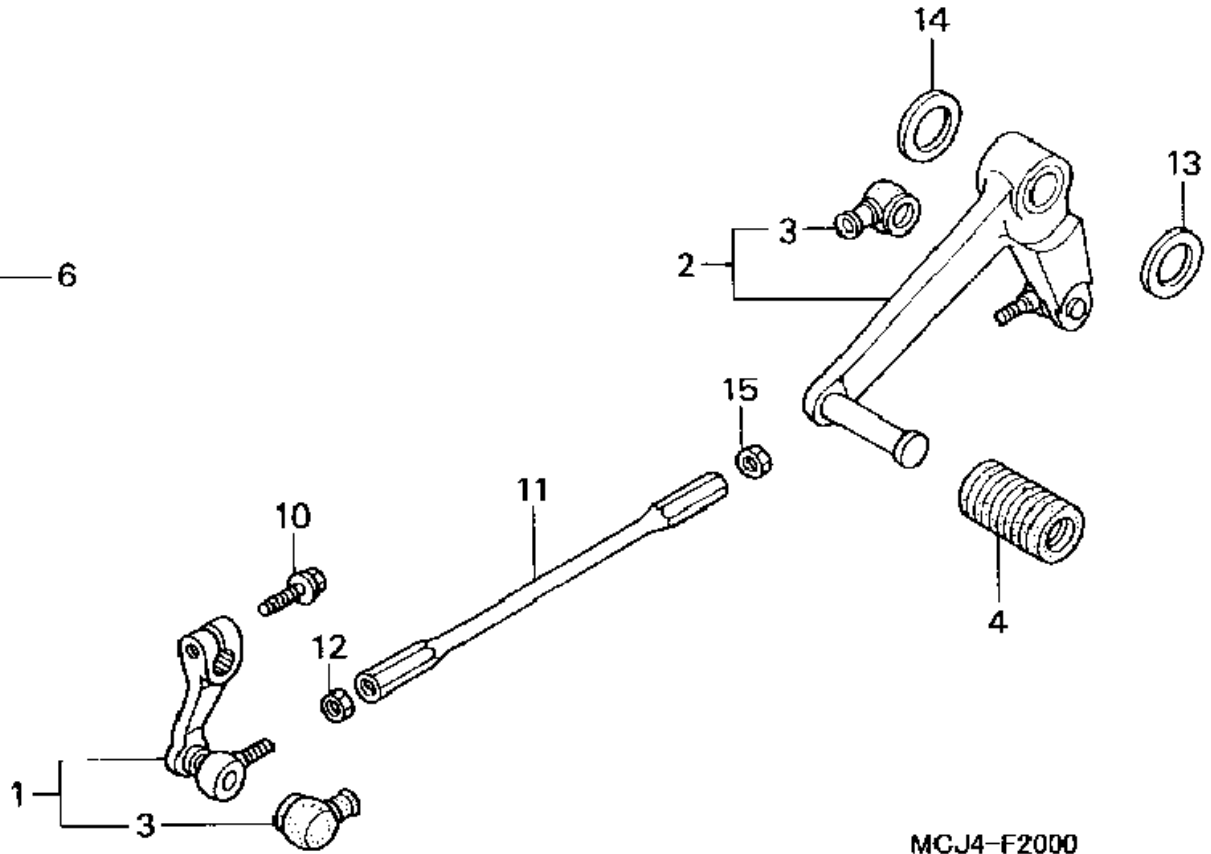
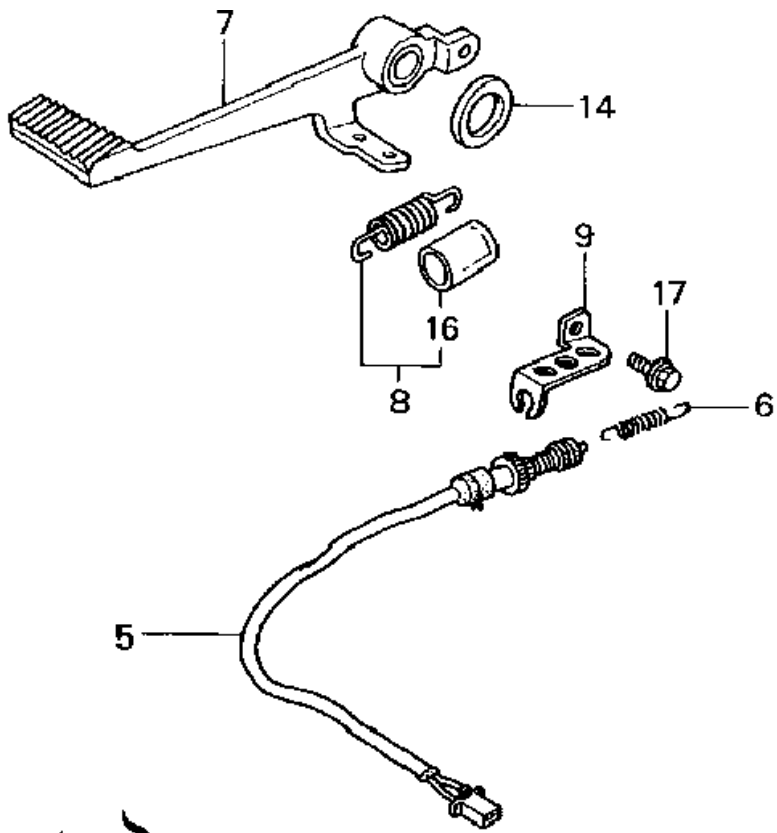
MCJ4-E1200

## 2000 HONDA CBR929RR

### PEDAL

#### CLICK BELOW FOR MORE INFO

No.	Part No.	Description
<a href="#">1</a>	<a href="#">24710-MCJ-000</a>	<a href="#">ARM COMP., GEARSHIFT</a>
<a href="#">2</a>	<a href="#">24720-MCJ-000</a>	<a href="#">PEDAL, GEARSHIFT</a>
<a href="#">3</a>	<a href="#">24724-422-000</a>	<a href="#">COVER, DUST</a>
<a href="#">4</a>	<a href="#">24781-KR3-770</a>	<a href="#">RUBBER</a>
<a href="#">5</a>	<a href="#">35350-MCJ-000</a>	<a href="#">SWITCH ASSY., RR. ST</a>
<a href="#">6</a>	<a href="#">35357-MBG-610</a>	<a href="#">SPRING, STOP SWITCH</a>
<a href="#">7</a>	<a href="#">46500-MCJ-000</a>	<a href="#">PEDAL COMP., BRAKE</a>
<a href="#">8</a>	<a href="#">46515-MV9-000</a>	<a href="#">SPRING, BRAKE PEDAL</a>
<a href="#">9</a>	<a href="#">50602-MCJ-000</a>	<a href="#">STAY, STOP SWITCH</a>
<a href="#">10</a>	<a href="#">90010-ML0-720</a>	<a href="#">BOLT, FLANGE (6X20)</a>
<a href="#">11</a>	<a href="#">90065-MCJ-000</a>	<a href="#">BAR, CHANGE</a>
<a href="#">12</a>	<a href="#">90201-700-000</a>	<a href="#">NUT</a>
<a href="#">13</a>	<a href="#">90403-KV3-830</a>	<a href="#">WASHER (17.2MM)</a>
<a href="#">14</a>	<a href="#">90505-MR7-000</a>	<a href="#">WASHER (17.5MM)</a>
<a href="#">15</a>	<a href="#">94001-06020-0S</a>	<a href="#">NUT, HEX. (6MM)</a>
<a href="#">16</a>	<a href="#">95003-43003-10M</a>	<a href="#">BULK HOSE, VINYL</a>
<a href="#">17</a>	<a href="#">96001-06008-00</a>	<a href="#">BOLT, FLANGE (6X8)</a>

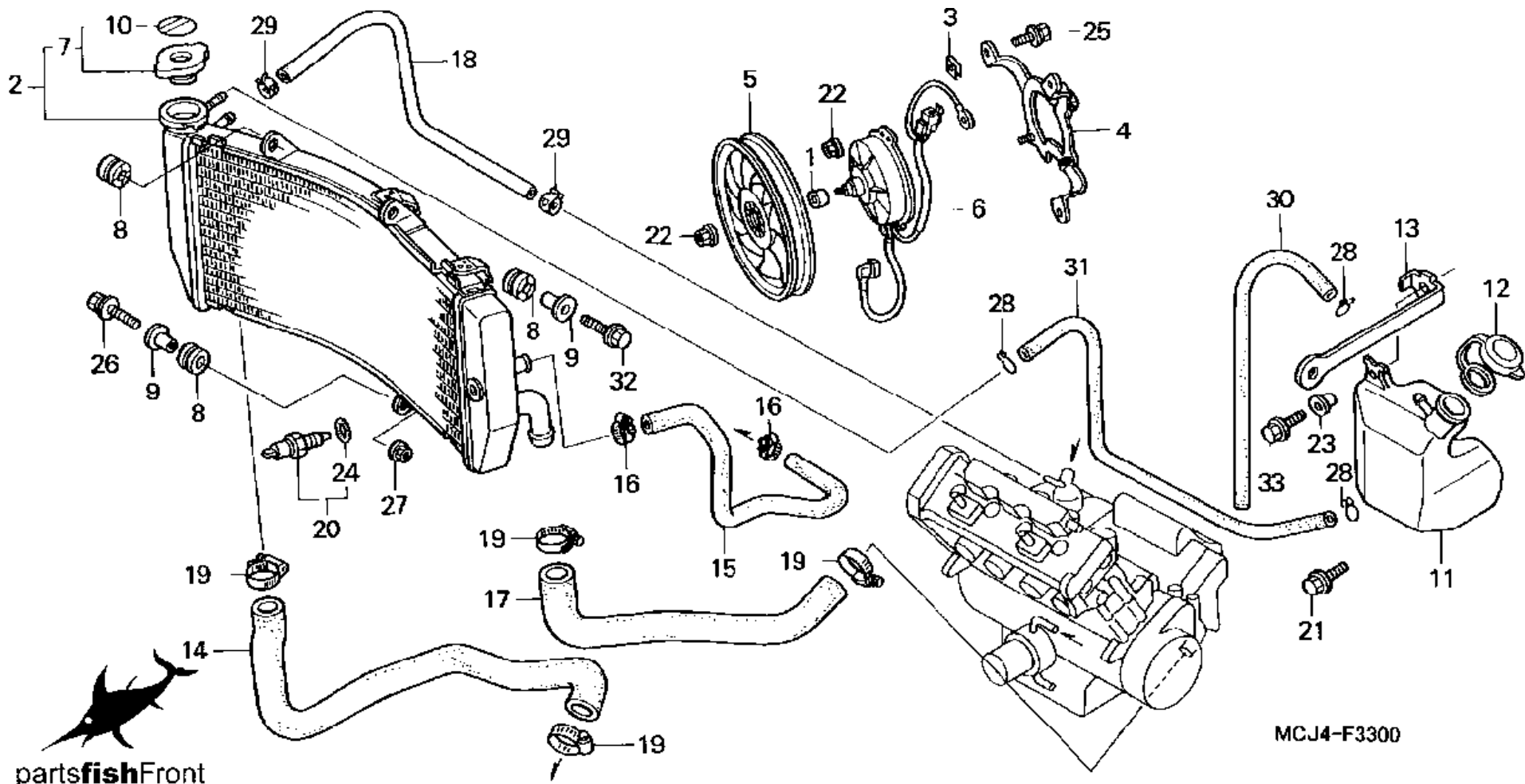


MCJ4-F2000

## 2000 HONDA CBR929RR - RADIATOR

CLICK BELOW FOR MORE INFO		
No.	Part No.	Description
<a href="#">2</a>	<a href="#">19010-MCJ-003</a>	<a href="#">RADIATOR COMP.</a>
<a href="#">3</a>	<a href="#">19014-KEA-003</a>	<a href="#">NUT, SET</a>
<a href="#">4</a>	<a href="#">19015-MCJ-003</a>	<a href="#">SHROUD COMP.</a>
<a href="#">5</a>	<a href="#">19020-MCF-003</a>	<a href="#">FAN COMP., COOLING</a>
<a href="#">6</a>	<a href="#">19030-MCJ-003</a>	<a href="#">MOTOR ASSY., FAN</a>
<a href="#">7</a>	<a href="#">19045-GBF-700</a>	<a href="#">CAP COMP., RADIATOR</a>
<a href="#">8</a>	<a href="#">19051-KA3-830</a>	<a href="#">RUBBER</a>
<a href="#">9</a>	<a href="#">19052-MAC-680</a>	<a href="#">COLLAR</a>
<a href="#">10</a>	<a href="#">19055-MV9-881</a>	<a href="#">SEAL, RADIATOR CAP</a>
<a href="#">11</a>	<a href="#">19101-MCJ-000</a>	<a href="#">TANK, RADIATOR RESER</a>
<a href="#">12</a>	<a href="#">19104-MB0-700</a>	<a href="#">CAP, RESERVE TANK</a>
<a href="#">14</a>	<a href="#">19501-MCJ-000</a>	<a href="#">HOSE, RADIATOR</a>
<a href="#">15</a>	<a href="#">19502-MCJ-000</a>	<a href="#">HOSE, OIL COOLER</a>
<a href="#">16</a>	<a href="#">19505-KS6-700</a>	<a href="#">CLAMP, WATER HOSE</a>
<a href="#">17</a>	<a href="#">19505-MCJ-000</a>	<a href="#">HOSE, RADIATOR</a>

<a href="#">18</a>	<a href="#">19511-MCJ-000</a>	<a href="#">TUBE, WATER</a>
<a href="#">19</a>	<a href="#">19516-GAG-003</a>	<a href="#">CLAMP (30-37MM)</a>
<a href="#">20</a>	<a href="#">37760-MT2-003</a>	<a href="#">SWITCH, THERMOSTAT</a>
<a href="#">21</a>	<a href="#">90111-162-000</a>	<a href="#">BOLT, FLANGE (6MM)</a>
<a href="#">22</a>	<a href="#">90315-MK3-003</a>	<a href="#">NUT, SERRATE (5MM)</a>
<a href="#">23</a>	<a href="#">90522-170-700</a>	<a href="#">COLLAR</a>
<a href="#">24</a>	<a href="#">91307-611-000</a>	<a href="#">O-RING (13.5X1.4)</a>
<a href="#">25</a>	<a href="#">93401-06014-00</a>	<a href="#">BOLT-WASHER (6X14)</a>
<a href="#">26</a>	<a href="#">93404-06028-00</a>	<a href="#">BOLT-WASHER (6X28)</a>
<a href="#">27</a>	<a href="#">94050-06000</a>	<a href="#">NUT, FLANGE (6MM)</a>
<a href="#">28</a>	<a href="#">95002-02100</a>	<a href="#">CLIP, TUBE (B10)</a>
<a href="#">29</a>	<a href="#">95002-41250-08</a>	<a href="#">CLIP, TUBE (D12.5)</a>
<a href="#">30</a>	<a href="#">95005-55003-20M</a>	<a href="#">BULK HOSE (5.5X3000)</a>
<a href="#">31</a>	<a href="#">95005-55003-20M</a>	<a href="#">BULK HOSE (5.5X3000)</a>
<a href="#">32</a>	<a href="#">96001-06025-07</a>	<a href="#">BOLT, FLANGE (6X25)</a>
<a href="#">33</a>	<a href="#">96300-06020-00</a>	<a href="#">BOLT, FLANGE (6X20)</a>
<a href="#">34</a>	<a href="#">32925-958-000</a>	<a href="#">CLIP, PULSER WIRE</a>



MCJ4-F3300

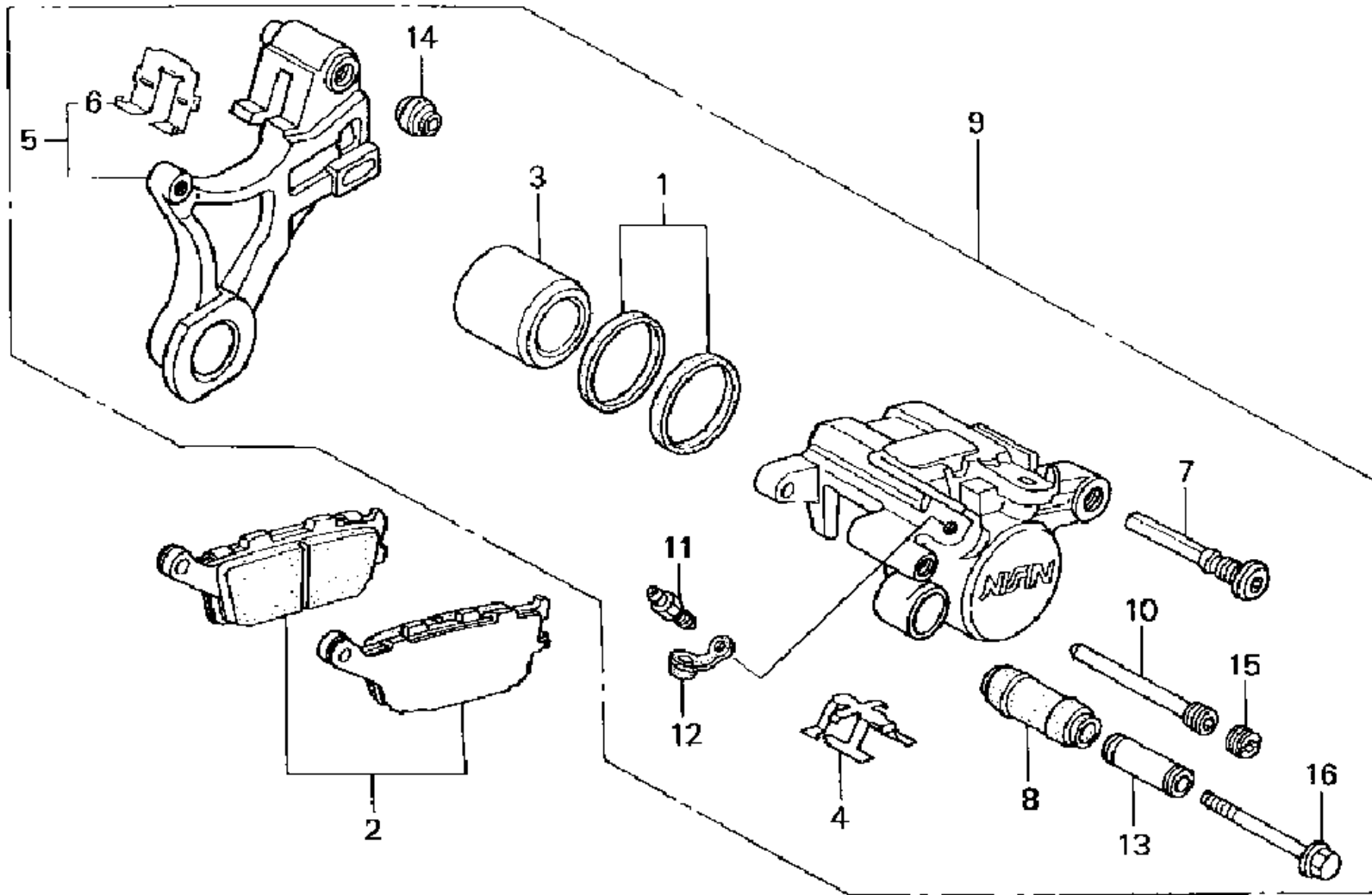


## 2000 HONDA CBR929RR

### REAR BRAKE CALIPER

#### CLICK BELOW FOR MORE INFO

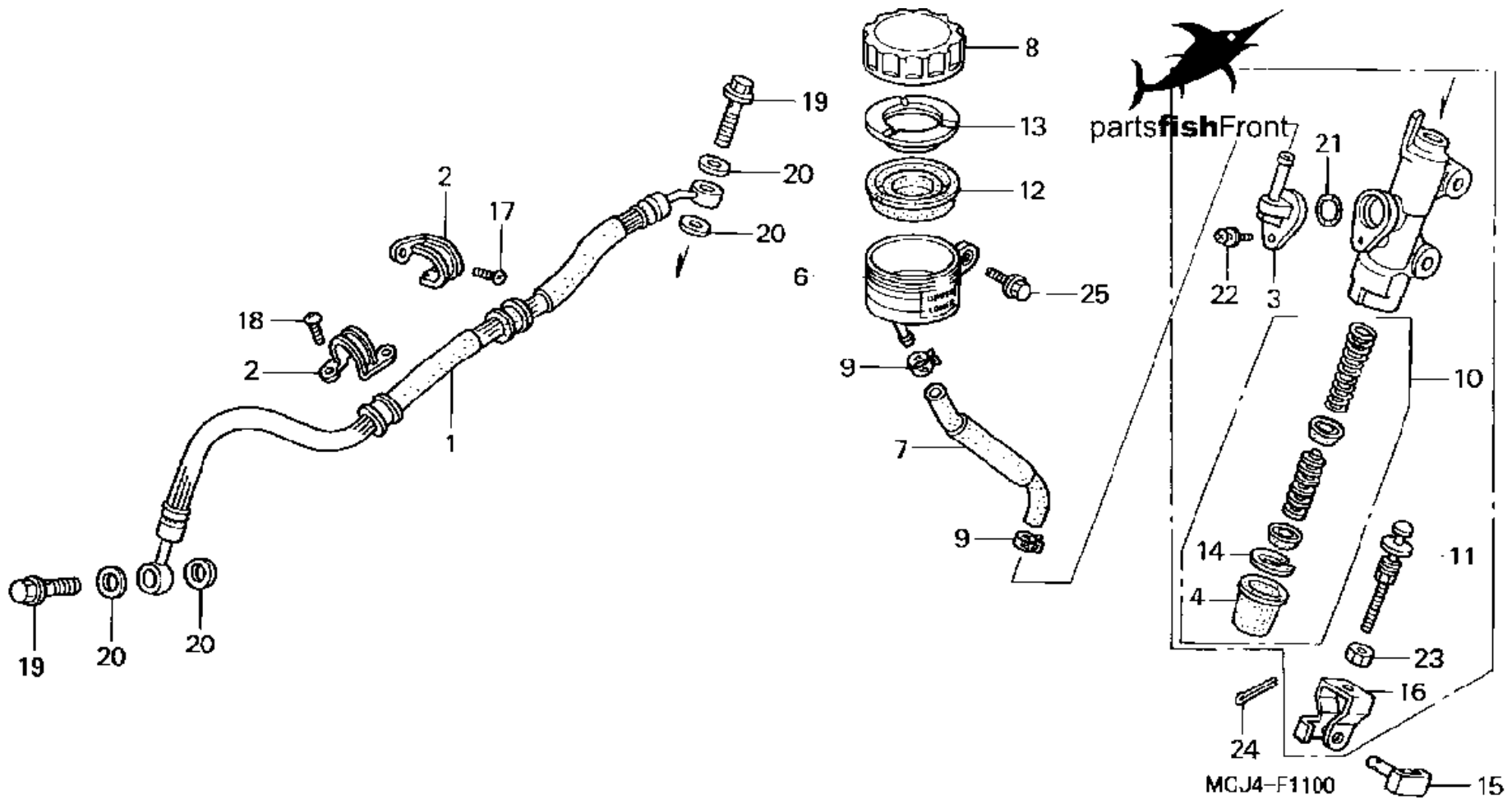
No.	Part No.	Description
<a href="#">1</a>	<a href="#">06451-443-405</a>	<a href="#">SEAL SET, PISTON</a>
<a href="#">2</a>	<a href="#">43105-MW0-405</a>	<a href="#">PAD SET, RR.</a>
<a href="#">3</a>	<a href="#">43107-MCJ-006</a>	<a href="#">PISTON</a>
<a href="#">4</a>	<a href="#">43108-KT7-761</a>	<a href="#">SPRING, PAD</a>
<a href="#">5</a>	<a href="#">43110-MCJ-006</a>	<a href="#">BRACKET COMP., RR.</a>
<a href="#">6</a>	<a href="#">43112-MCF-006</a>	<a href="#">RETAINER, RR. BRACKE</a>
<a href="#">7</a>	<a href="#">43131-KW3-006</a>	<a href="#">BOLT, PIN</a>
<a href="#">8</a>	<a href="#">43132-KT7-761</a>	<a href="#">BOOT, SLEEVE</a>
<a href="#">9</a>	<a href="#">43150-MCJ-006</a>	<a href="#">CALIPER SUB-ASSY.</a>
<a href="#">10</a>	<a href="#">43215-ML3-911</a>	<a href="#">PIN, HANGER</a>
<a href="#">11</a>	<a href="#">43352-568-003</a>	<a href="#">SCREW, BLEEDER</a>
<a href="#">12</a>	<a href="#">43353-461-771</a>	<a href="#">CAP, BLEEDER</a>
<a href="#">13</a>	<a href="#">45111-MA3-006</a>	<a href="#">SLEEVE</a>
<a href="#">14</a>	<a href="#">45133-MA3-006</a>	<a href="#">BOOT B</a>
<a href="#">15</a>	<a href="#">45203-MG3-016</a>	<a href="#">PLUG, PIN</a>
<a href="#">16</a>	<a href="#">90180-MN8-006</a>	<a href="#">BOLT, FLANGE (8X49)</a>



## 2000 HONDA CBR929RR - REAR BRAKE MASTER CYLINDER

### CLICK BELOW FOR MORE INFO

No.	Part No.	Description
<a href="#">1</a>	<a href="#">43310-MCJ-003</a>	<a href="#">HOSE COMP., RR. BRAK</a>
<a href="#">2</a>	<a href="#">43468-MCJ-000</a>	<a href="#">GUIDE, BRAKE HOSE</a>
<a href="#">3</a>	<a href="#">43503-MR7-006</a>	<a href="#">CONNECTOR</a>
<a href="#">4</a>	<a href="#">43504-MB2-006</a>	<a href="#">BOOT COMP.</a>
<a href="#">5</a>	<a href="#">43510-MCJ-006</a>	<a href="#">M/CYL SUB-ASSY, RR.</a>
<a href="#">6</a>	<a href="#">43511-MR7-016</a>	<a href="#">CUP COMP., OIL</a>
<a href="#">7</a>	<a href="#">43512-MCJ-006</a>	<a href="#">HOSE COMP., RR. MAST</a>
<a href="#">8</a>	<a href="#">43513-MY1-006</a>	<a href="#">CAP, OIL CUP</a>
<a href="#">9</a>	<a href="#">43514-KS6-701</a>	<a href="#">CLAMP</a>
<a href="#">10</a>	<a href="#">43520-MG9-305</a>	<a href="#">PISTON SET</a>
<a href="#">11</a>	<a href="#">43530-MM5-006</a>	<a href="#">ROD COMP., PUSH</a>
<a href="#">12</a>	<a href="#">45520-300-000</a>	<a href="#">DIAPHRAGM</a>
<a href="#">13</a>	<a href="#">45521-MJ6-006</a>	<a href="#">PLATE, DIAPHRAGM</a>
<a href="#">14</a>	<a href="#">46182-500-013</a>	<a href="#">CIRCLIP</a>
<a href="#">15</a>	<a href="#">46503-MAL-000</a>	<a href="#">PIN COMP., BRAKE ROD</a>
<a href="#">16</a>	<a href="#">46504-MAL-601</a>	<a href="#">JOINT, BRAKE ROD</a>
<a href="#">17</a>	<a href="#">90105-MCJ-000</a>	<a href="#">SCREW, PAN (5X10)</a>
<a href="#">18</a>	<a href="#">90110-MCJ-000</a>	<a href="#">SCREW, PAN (5X16)</a>
<a href="#">19</a>	<a href="#">90145-MS9-612</a>	<a href="#">BOLT, OIL (10X22)</a>
<a href="#">20</a>	<a href="#">90545-300-000</a>	<a href="#">WASHER, OIL BOLT</a>
<a href="#">21</a>	<a href="#">91212-422-006</a>	<a href="#">O-RING (14.8X2.4)</a>
<a href="#">22</a>	<a href="#">93893-04012-07</a>	<a href="#">SCREW-WASHER (4X12)</a>
<a href="#">22</a>	<a href="#">93893-04012-17</a>	<a href="#">SCREW-WASHER (4X12)</a>
<a href="#">23</a>	<a href="#">94002-08000-0S</a>	<a href="#">NUT, HEX. (8MM)</a>
<a href="#">24</a>	<a href="#">94201-20120</a>	<a href="#">PIN, SPLIT (2.0X12)</a>
<a href="#">25</a>	<a href="#">96001-06020-00</a>	<a href="#">BOLT, FLANGE (6X20)</a>

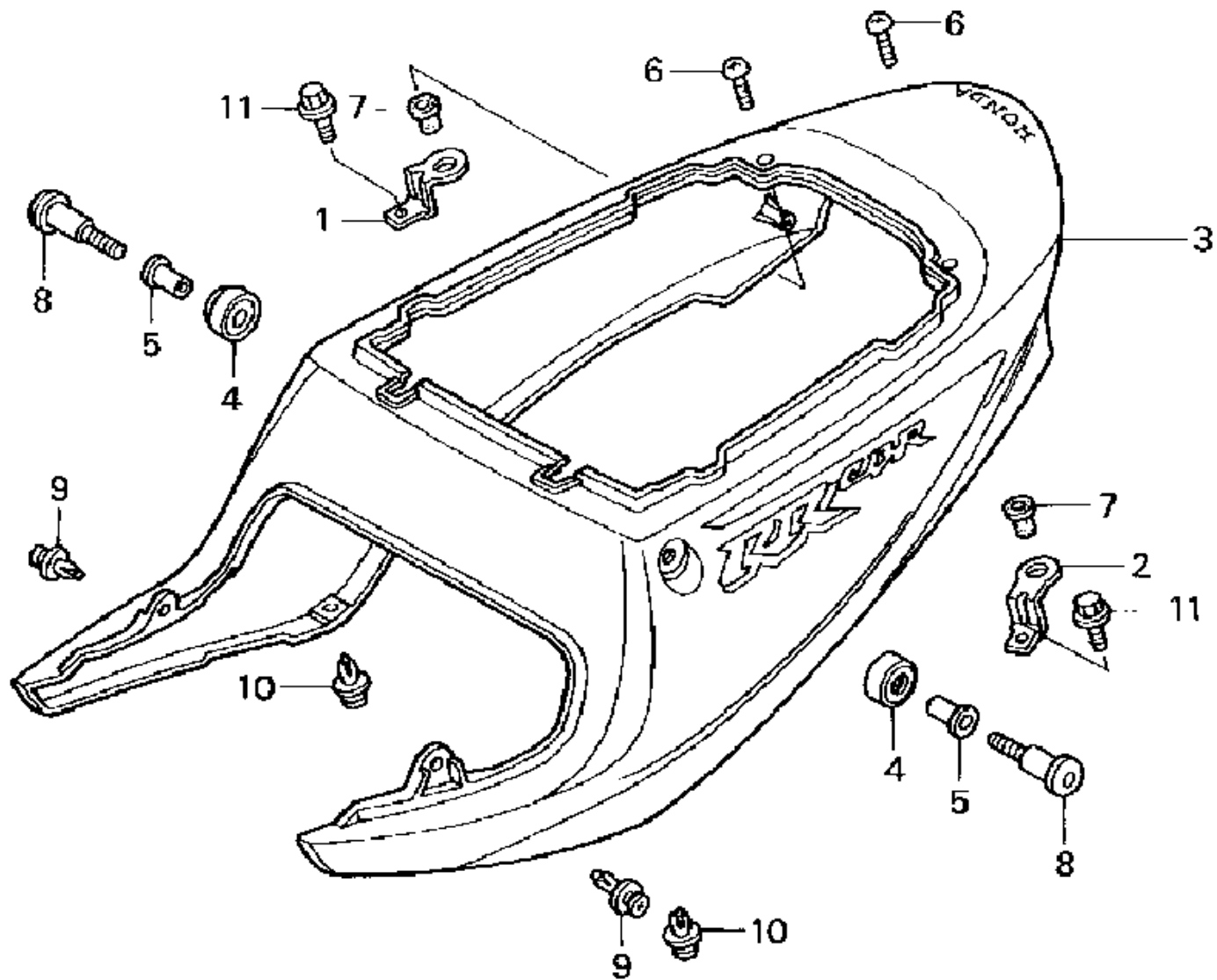


## 2000 HONDA CBR929RR

### REAR COWL

#### CLICK BELOW FOR MORE INFO

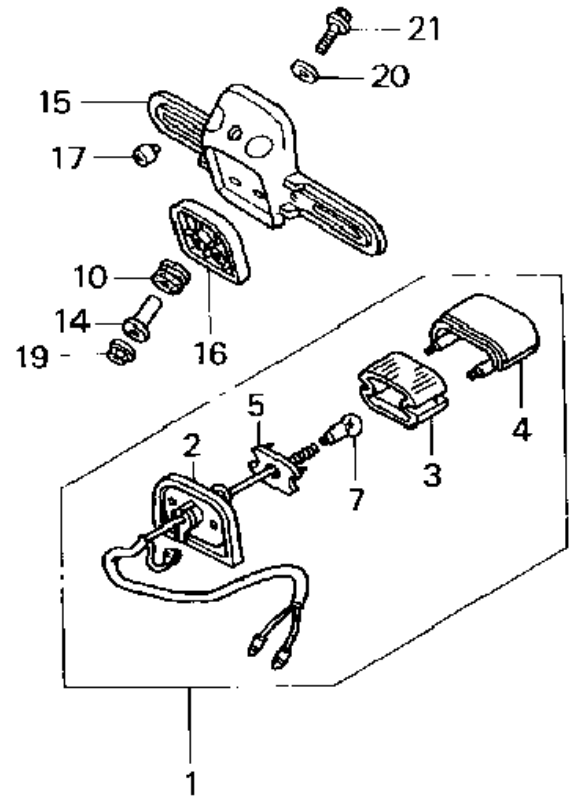
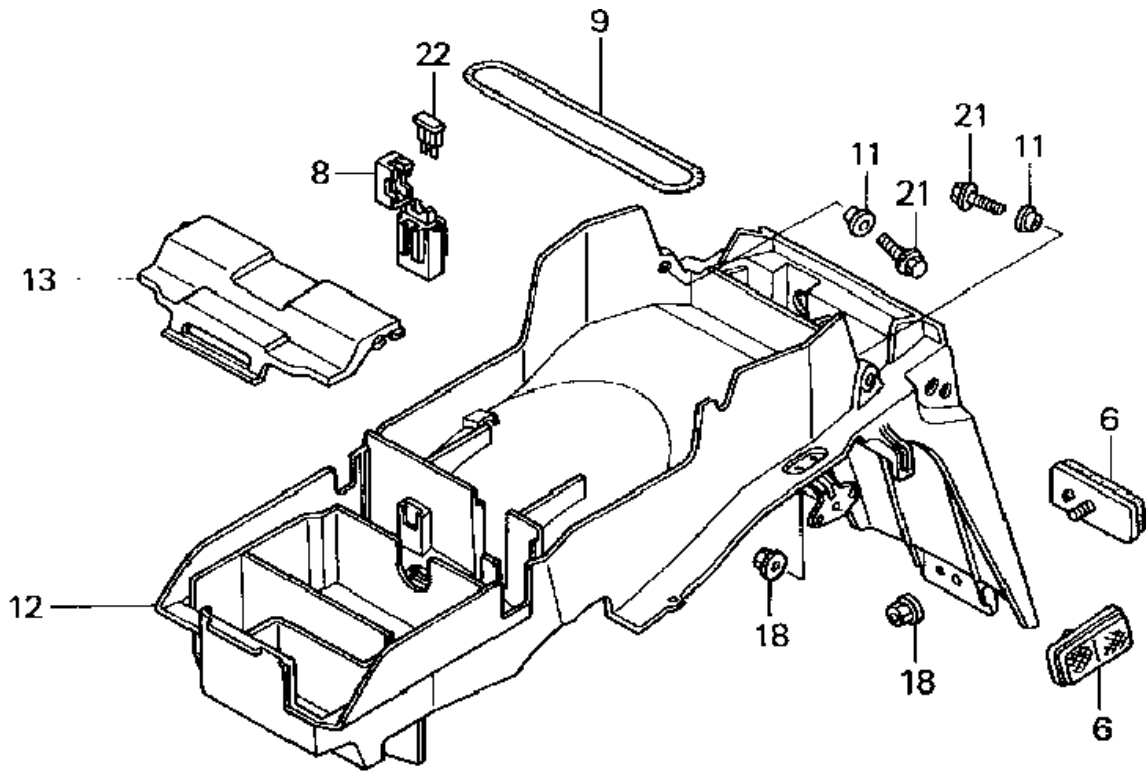
No.	Part No.	Description
<a href="#">1</a>	<a href="#">50248-MCJ-000</a>	<a href="#">STAY B, R. RR. COWL</a>
<a href="#">2</a>	<a href="#">50249-MCJ-000</a>	<a href="#">STAY B, L. RR. COWL</a>
<a href="#">3</a>	<a href="#">77210-MCJ-670ZC</a>	<a href="#">COWL, RR. (TYPE1)</a>
<a href="#">3</a>	<a href="#">77210-MCJ-670ZD</a>	<a href="#">COWL, RR. (TYPE2)</a>
<a href="#">4</a>	<a href="#">83641-KY2-700</a>	<a href="#">SPACER</a>
<a href="#">5</a>	<a href="#">83642-KY2-700</a>	<a href="#">COLLAR</a>
<a href="#">6</a>	<a href="#">90109-SB6-000</a>	<a href="#">SCREW, TRUSS (5X16)</a>
<a href="#">7</a>	<a href="#">90111-KW3-003</a>	<a href="#">NUT (5MM)</a>
<a href="#">8</a>	<a href="#">90116-MCJ-000</a>	<a href="#">BOLT, RR. COWL SETT</a>
<a href="#">9</a>	<a href="#">90683-GR1-003</a>	<a href="#">CLIP, BODY COVER</a>
<a href="#">10</a>	<a href="#">90683-MBW-003</a>	<a href="#">CLIP, BODY</a>
<a href="#">11</a>	<a href="#">93401-05010-00</a>	<a href="#">BOLT-WASHER (5X10)</a>



## 2000 HONDA CBR929RR - REAR FENDER

### CLICK BELOW FOR MORE INFO

No.	Part No.	Description
<a href="#">1</a>	<a href="#">33720-MAS-A11</a>	<a href="#">LIGHT ASSY., LICENSE</a>
<a href="#">2</a>	<a href="#">33721-MAS-A11</a>	<a href="#">BASE COMP., LICENSE</a>
<a href="#">3</a>	<a href="#">33722-MB1-013</a>	<a href="#">LENS, LICENSE</a>
<a href="#">4</a>	<a href="#">33727-ME4-671</a>	<a href="#">COVER, LICENSE LIGHT</a>
<a href="#">5</a>	<a href="#">33729-MB1-003</a>	<a href="#">GASKET, LENS</a>
<a href="#">6</a>	<a href="#">33741-MS6-921</a>	<a href="#">REFLECTOR, REFLEX</a>
<a href="#">7</a>	<a href="#">34616-568-671</a>	<a href="#">BULB (12V 8W)</a>
<a href="#">9</a>	<a href="#">50290-MZ7-000</a>	<a href="#">BAND, U-LOCK</a>
<a href="#">10</a>	<a href="#">61103-357-000</a>	<a href="#">RUBBER, FR.</a>
<a href="#">11</a>	<a href="#">80102-MCJ-000</a>	<a href="#">COLLAR, RR. FENDER</a>
<a href="#">12</a>	<a href="#">80105-MCJ-671</a>	<a href="#">FENDER COMP., RR.</a>
<a href="#">13</a>	<a href="#">80110-MCJ-000</a>	<a href="#">COVER, ELECTRIC CONT</a>
<a href="#">14</a>	<a href="#">80114-MCJ-670</a>	<a href="#">COLLAR, RR. FENDER</a>
<a href="#">15</a>	<a href="#">84701-ML7-670</a>	<a href="#">BRKT, NUMBER PLATE</a>
<a href="#">16</a>	<a href="#">84710-MCJ-670</a>	<a href="#">SPACER, LICENSE PLAT</a>
<a href="#">17</a>	<a href="#">90302-MB2-000</a>	<a href="#">NUT, SPECIAL (4MM)</a>
<a href="#">18</a>	<a href="#">94050-05070</a>	<a href="#">NUT, FLANGE (5MM)</a>
<a href="#">19</a>	<a href="#">94050-06000</a>	<a href="#">NUT, FLANGE (6MM)</a>
<a href="#">20</a>	<a href="#">94103-06000</a>	<a href="#">WASHER, PLAIN (6MM)</a>
<a href="#">21</a>	<a href="#">96001-06025-00</a>	<a href="#">BOLT, FLANGE (6X25)</a>
<a href="#">23</a>	<a href="#">90502-VA4-640</a>	<a href="#">WASHER (6X20)</a>
<a href="#">24</a>	<a href="#">95701-06040-07</a>	<a href="#">BOLT, FLANGE (6X40)</a>
<a href="#">25</a>	<a href="#">96300-06016-00</a>	<a href="#">BOLT, FLANGE (6X16)</a>



MCJ4-F2500



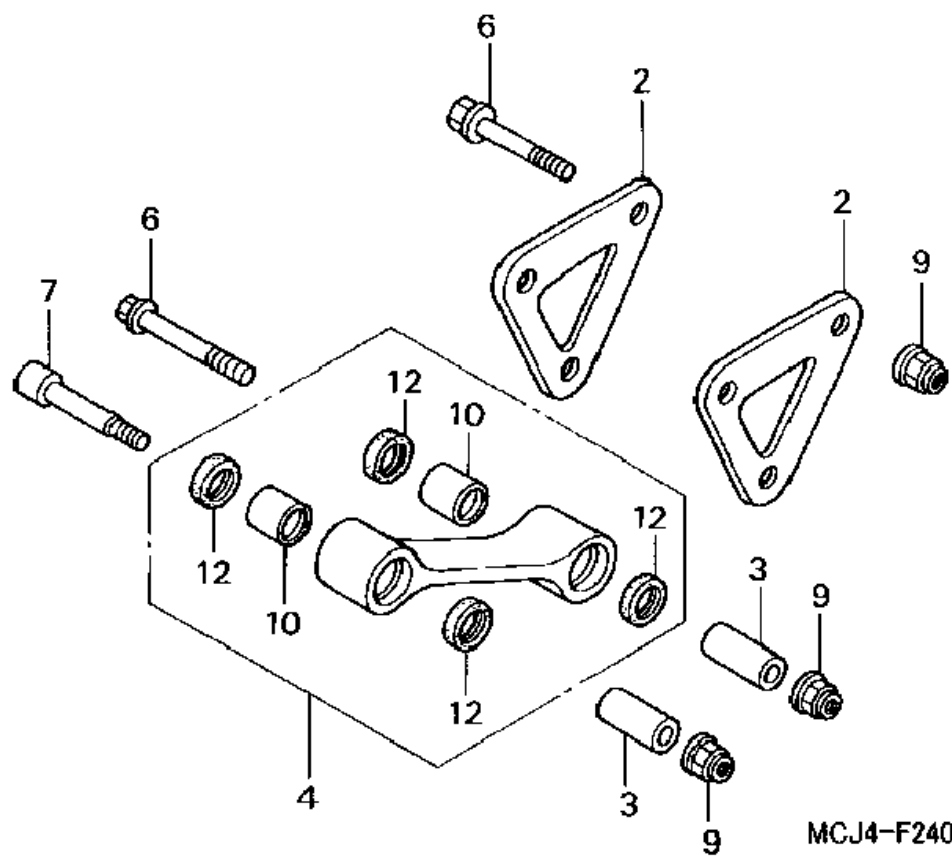
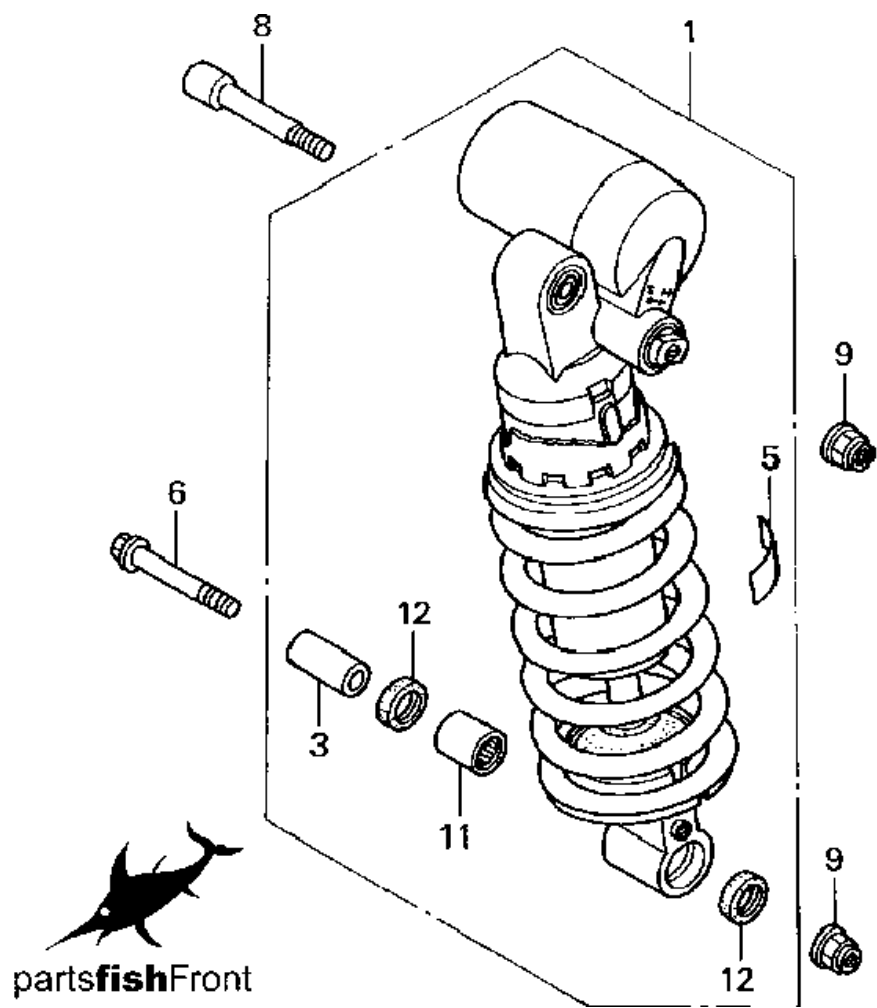


## 2000 HONDA CBR929RR

### REAR SHOCK ABSORBER

#### CLICK BELOW FOR MORE INFO

No.	Part No.	Description
<a href="#">1</a>	<a href="#">52400-MCJ-003</a>	<a href="#">CUSHION ASSY., RR.</a>
<a href="#">2</a>	<a href="#">52461-MCJ-000</a>	<a href="#">PLATE, CUSHION ARM</a>
<a href="#">3</a>	<a href="#">52463-MAL-G00</a>	<a href="#">COLLAR</a>
<a href="#">4</a>	<a href="#">52475-MCJ-000</a>	<a href="#">ROD SUB-ASSY.</a>
<a href="#">5</a>	<a href="#">87516-KV6-610</a>	<a href="#">LABEL, RR.</a>
<a href="#">6</a>	<a href="#">90101-MBB-000</a>	<a href="#">BOLT, FLANGE (10X62)</a>
<a href="#">7</a>	<a href="#">90110-KY6-000</a>	<a href="#">BOLT, SOCKET (10X66)</a>
<a href="#">8</a>	<a href="#">90110-ML7-000</a>	<a href="#">BOLT, SOCKET (10X55)</a>
<a href="#">9</a>	<a href="#">90304-GE8-003</a>	<a href="#">NUT, U (10MM)</a>
<a href="#">10</a>	<a href="#">91071-KV3-005</a>	<a href="#">BEARING, NEEDLE</a>
<a href="#">11</a>	<a href="#">91072-KT7-003</a>	<a href="#">BEARING (17X24X20)</a>
<a href="#">12</a>	<a href="#">91262-KV3-831</a>	<a href="#">DUST SEAL (17X24X5)</a>



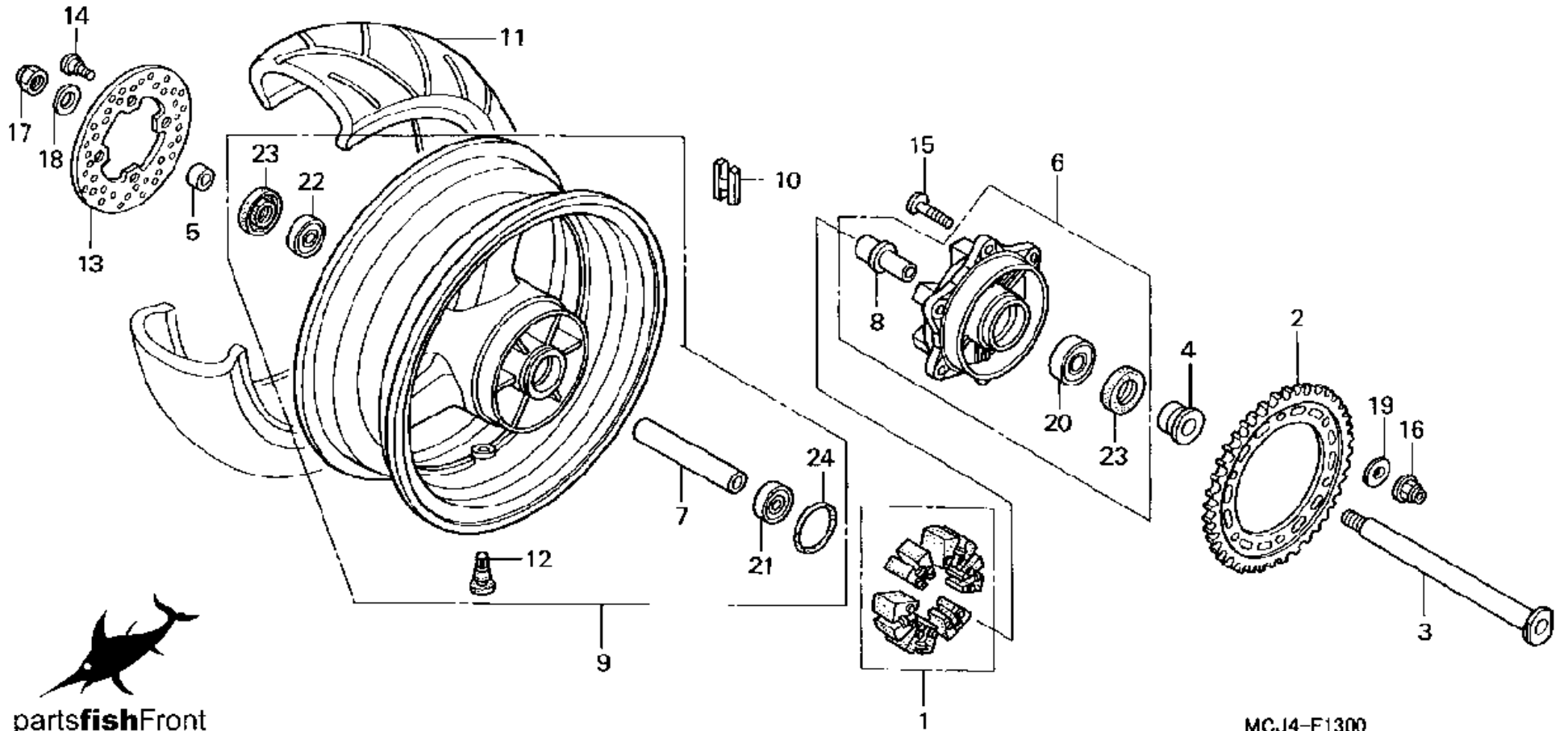
 **partsfish**Front

MCJ4-F2400

## 2000 HONDA CBR929RR - REAR WHEEL

CLICK BELOW FOR MORE INFO		
No.	Part No.	Description
<a href="#">1</a>	<a href="#">06410-MCF-000</a>	<a href="#">DAMPER SET, WHEEL</a>
<a href="#">2</a>	<a href="#">41201-MCJ-670</a>	<a href="#">SPROCKET, FINAL DRIV</a>
<a href="#">3</a>	<a href="#">42301-MCJ-000</a>	<a href="#">AXLE, RR. WHEEL</a>
<a href="#">4</a>	<a href="#">42311-MCJ-000</a>	<a href="#">COLLAR, RR. WHEEL SI</a>
<a href="#">5</a>	<a href="#">42312-MCJ-000</a>	<a href="#">COLLAR, RR. BRAKE SI</a>
<a href="#">6</a>	<a href="#">42615-MCF-000</a>	<a href="#">FLANGE SUB-ASSY.</a>
<a href="#">7</a>	<a href="#">42620-MCF-000</a>	<a href="#">COLLAR, RR. AXLE DIS</a>
<a href="#">8</a>	<a href="#">42625-MCF-000</a>	<a href="#">COLLAR B, RR. WHEEL</a>
<a href="#">9</a>	<a href="#">42650-MCJ-670</a>	<a href="#">WHEEL SUB-ASSY., RR.</a>
<a href="#">10</a>	<a href="#">42704-MB0-000</a>	<a href="#">WEIGHT (10G)</a>
<a href="#">10</a>	<a href="#">42705-MB0-000</a>	<a href="#">WEIGHT (20G)</a>
<a href="#">10</a>	<a href="#">42706-MB0-000</a>	<a href="#">WEIGHT (30G)</a>
<a href="#">11</a>	<a href="#">42711-MCJ-003</a>	<a href="#">TIRE (190/55ZR17)</a>

<a href="#">11</a>	<a href="#">42711-MCJ-007</a>	<a href="#">TIRE (190/50ZR17)</a>
<a href="#">12</a>	<a href="#">42753-ML7-003</a>	<a href="#">VALVE, RIM</a>
<a href="#">12</a>	<a href="#">42753-MT4-005</a>	<a href="#">VALVE, RIM</a>
<a href="#">13</a>	<a href="#">43251-MCJ-000</a>	<a href="#">DISK, RR. BRAKE</a>
<a href="#">14</a>	<a href="#">90105-MBB-000</a>	<a href="#">BOLT (8X24)</a>
<a href="#">15</a>	<a href="#">90121-MCF-000</a>	<a href="#">BOLT (10X30)</a>
<a href="#">16</a>	<a href="#">90304-KAE-871</a>	<a href="#">NUT, U (10MM)</a>
<a href="#">17</a>	<a href="#">90305-MAZ-000</a>	<a href="#">NUT, U (22MM)</a>
<a href="#">18</a>	<a href="#">90401-MCJ-000</a>	<a href="#">WASHER (23X37X2.5)</a>
<a href="#">19</a>	<a href="#">90502-MCF-000</a>	<a href="#">WASHER (10MM)</a>
<a href="#">20</a>	<a href="#">91051-MCF-003</a>	<a href="#">BEARING (27X52X23.8)</a>
<a href="#">21</a>	<a href="#">91052-MCF-003</a>	<a href="#">BEARING (6005)</a>
<a href="#">22</a>	<a href="#">91053-MAZ-003</a>	<a href="#">BEARING (6205X2)</a>
<a href="#">23</a>	<a href="#">91254-MCF-003</a>	<a href="#">DUST SEAL</a>
<a href="#">24</a>	<a href="#">91352-MCF-003</a>	<a href="#">O-RING (51X2)</a>



  
**partsfishFront**

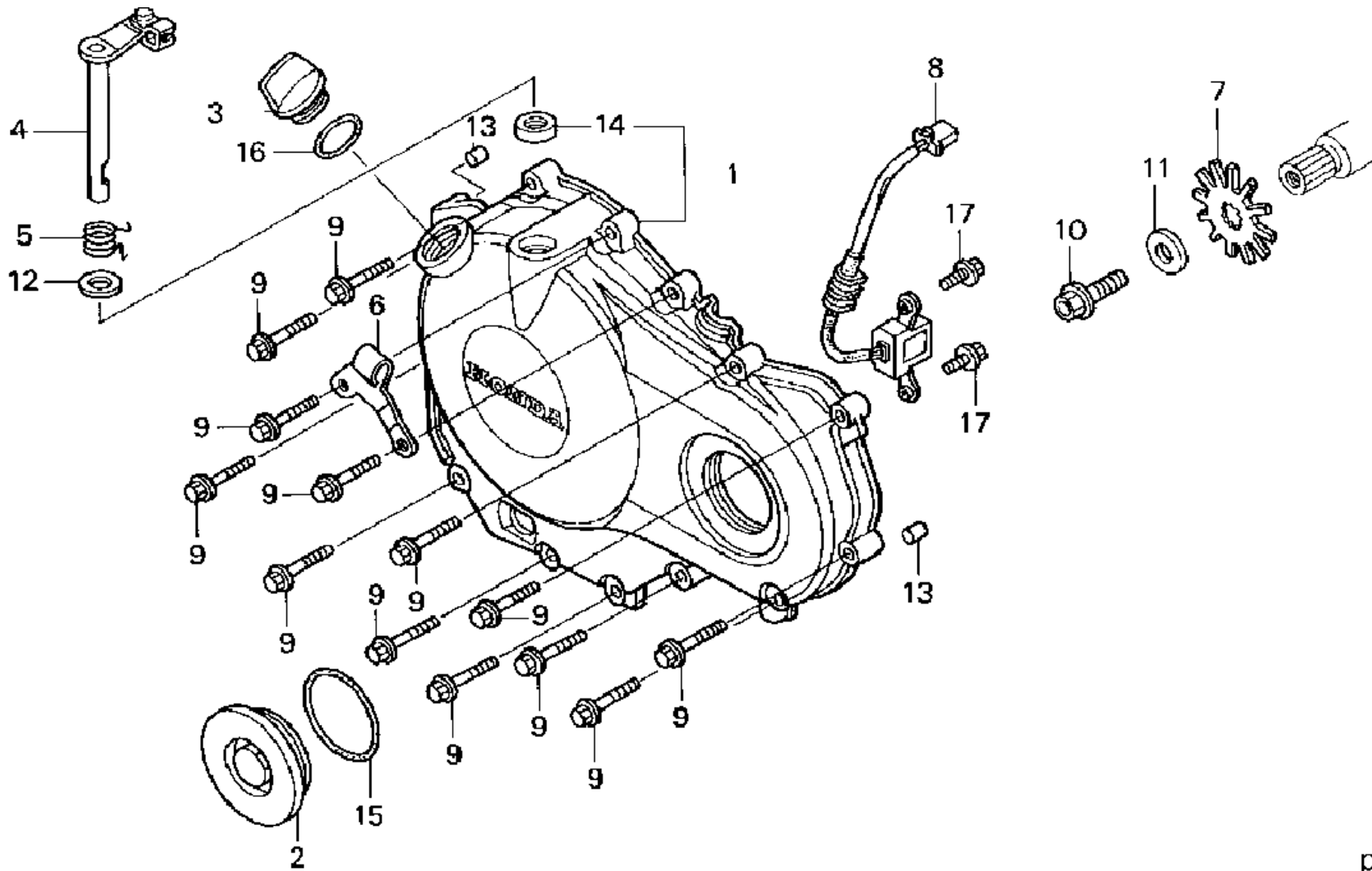
MCJ4-F1300

## 2000 HONDA CBR929RR

### RIGHT CRANKCASE COVER

#### CLICK BELOW FOR MORE INFO

No.	Part No.	Description
<a href="#">1</a>	<a href="#">11330-MCJ-000</a>	<a href="#">COVER COMP., R. CRAN</a>
<a href="#">2</a>	<a href="#">11332-ML7-000</a>	<a href="#">CAP (45MM)</a>
<a href="#">3</a>	<a href="#">15611-KA4-710</a>	<a href="#">CAP, OIL FILTER</a>
<a href="#">4</a>	<a href="#">22810-MCJ-000</a>	<a href="#">LEVER COMP., CLUTCH</a>
<a href="#">5</a>	<a href="#">22815-MCJ-000</a>	<a href="#">SPRING, CLUTCH LEVER</a>
<a href="#">6</a>	<a href="#">22821-MCJ-000</a>	<a href="#">RECEIVER, CLUTCH CAB</a>
<a href="#">7</a>	<a href="#">30291-MCJ-000</a>	<a href="#">ROTOR, PULSE GENERAT</a>
<a href="#">8</a>	<a href="#">30300-MCJ-000</a>	<a href="#">GENERATOR ASSY., PUL</a>
<a href="#">9</a>	<a href="#">90006-GHB-680</a>	<a href="#">BOLT, FLANGE (6X28)</a>
<a href="#">10</a>	<a href="#">90013-430-000</a>	<a href="#">BOLT (10X25)</a>
<a href="#">11</a>	<a href="#">90405-KT7-000</a>	<a href="#">WASHER (10.5X27)</a>
<a href="#">12</a>	<a href="#">90525-GC4-700</a>	<a href="#">WASHER, BRAKE ARM</a>
<a href="#">13</a>	<a href="#">90701-MV9-670</a>	<a href="#">PIN, DOWEL (10X16)</a>
<a href="#">14</a>	<a href="#">91204-KK0-003</a>	<a href="#">OIL SEAL (12X18X5)</a>
<a href="#">15</a>	<a href="#">91301-ML7-003</a>	<a href="#">O-RING (48.1X3.6)</a>
<a href="#">16</a>	<a href="#">91307-KF0-003</a>	<a href="#">O-RING (18X3)</a>
<a href="#">17</a>	<a href="#">95701-06014-00</a>	<a href="#">BOLT, FLANGE (6X14)</a>

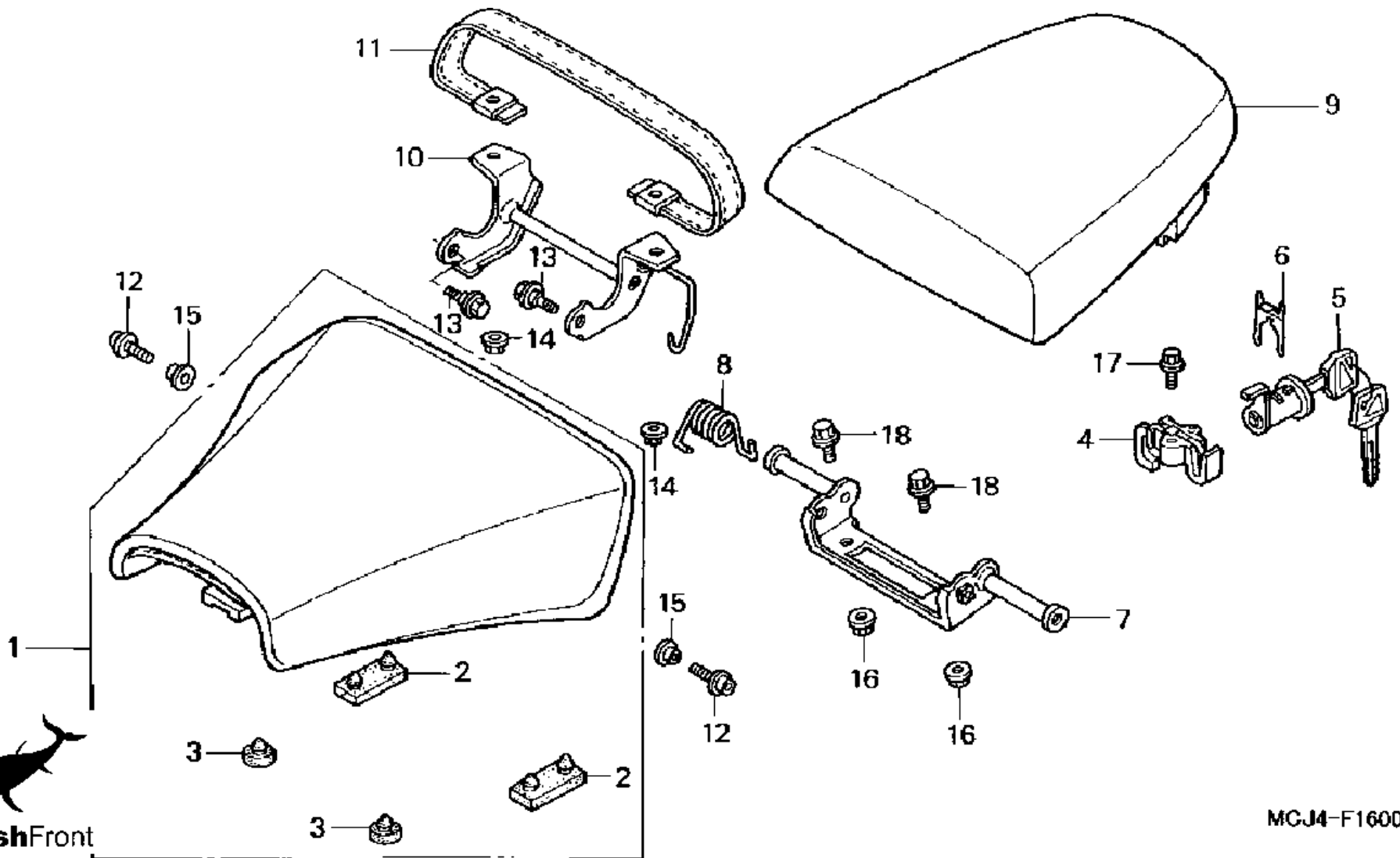


## 2000 HONDA CBR929RR

### SEAT

#### CLICK BELOW FOR MORE INFO

No.	Part No.	Description
<a href="#">1</a>	<a href="#">77100-MCJ-000</a>	<a href="#">SEAT ASSY., SINGLE</a>
<a href="#">2</a>	<a href="#">77204-312-000</a>	<a href="#">RUBBER, SEAT SETTING</a>
<a href="#">3</a>	<a href="#">77215-GC2-000</a>	<a href="#">RUBBER B</a>
<a href="#">4</a>	<a href="#">77220-MCJ-003</a>	<a href="#">HOOK, SEAT CATCH</a>
<a href="#">5</a>	<a href="#">77225-MCJ-000</a>	<a href="#">LOCK ASSY., SEAT</a>
<a href="#">6</a>	<a href="#">77226-KY2-700</a>	<a href="#">SPRING</a>
<a href="#">7</a>	<a href="#">77231-MCJ-000</a>	<a href="#">BRACKET, PILLION SEA</a>
<a href="#">8</a>	<a href="#">77233-MCJ-000</a>	<a href="#">SPRING, PILLION SEAT</a>
<a href="#">9</a>	<a href="#">77300-MCJ-000</a>	<a href="#">SEAT COMP., PILLION</a>
<a href="#">10</a>	<a href="#">77301-MCJ-000</a>	<a href="#">HINGE COMP., SEAT</a>
<a href="#">11</a>	<a href="#">77320-MCJ-000</a>	<a href="#">SEAT BELT COMP.</a>
<a href="#">12</a>	<a href="#">90097-MY6-880</a>	<a href="#">BOLT (6X20)</a>
<a href="#">13</a>	<a href="#">90111-162-000</a>	<a href="#">BOLT, FLANGE (6MM)</a>
<a href="#">14</a>	<a href="#">90301-473-003</a>	<a href="#">NUT, U (6MM)</a>
<a href="#">15</a>	<a href="#">90522-170-700</a>	<a href="#">COLLAR</a>
<a href="#">16</a>	<a href="#">94050-06000</a>	<a href="#">NUT, FLANGE (6MM)</a>
<a href="#">17</a>	<a href="#">96001-06012-00</a>	<a href="#">BOLT, FLANGE (6X12)</a>
<a href="#">18</a>	<a href="#">96300-06012-00</a>	<a href="#">BOLT, FLANGE (6X12)</a>



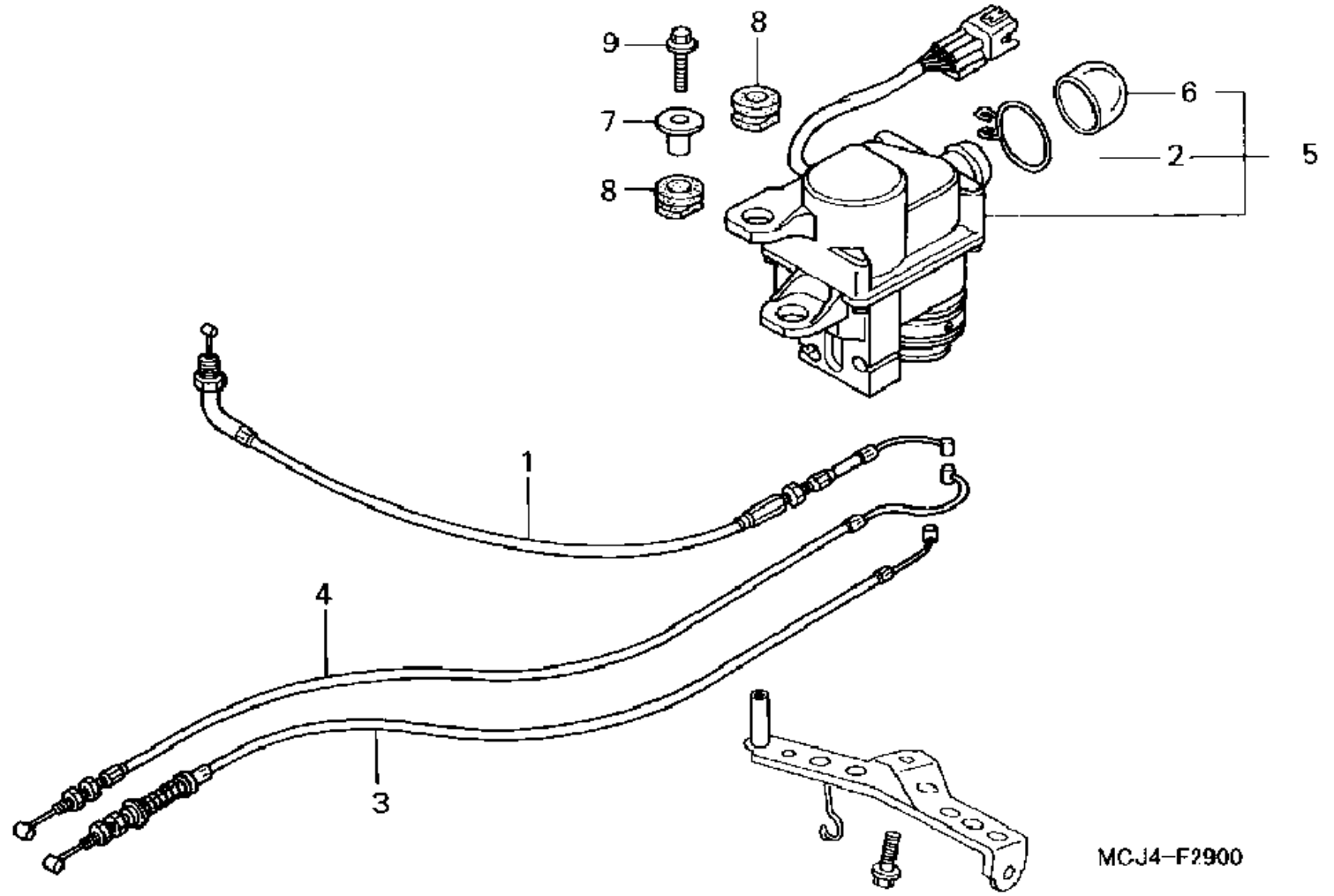


## 2000 HONDA CBR929RR

### SERVO MOTOR

#### CLICK BELOW FOR MORE INFO

No.	Part No.	Description
<a href="#">1</a>	<a href="#">17970-MCJ-000</a>	<a href="#">CABLE COMP., AIR VAL</a>
<a href="#">2</a>	<a href="#">18532-634-670</a>	<a href="#">CLIP (21.5)</a>
<a href="#">3</a>	<a href="#">18910-MCJ-000</a>	<a href="#">CABLE COMP. A, EX. V</a>
<a href="#">4</a>	<a href="#">18920-MCJ-000</a>	<a href="#">CABLE COMP. B, EX. V</a>
<a href="#">5</a>	<a href="#">31420-MCJ-640</a>	<a href="#">MOTOR ASSY., SERVO</a>
<a href="#">6</a>	<a href="#">31425-KAE-004</a>	<a href="#">CAP</a>
<a href="#">7</a>	<a href="#">50324-425-010</a>	<a href="#">COLLAR (6.3X13)</a>
<a href="#">8</a>	<a href="#">77205-KM4-000</a>	<a href="#">GROMMET</a>
<a href="#">9</a>	<a href="#">90001-GHB-660</a>	<a href="#">BOLT, FLANGE (6X22)</a>
<a href="#">10</a>	<a href="#">91404-750-800</a>	<a href="#">CLIP, DOUBLE</a>



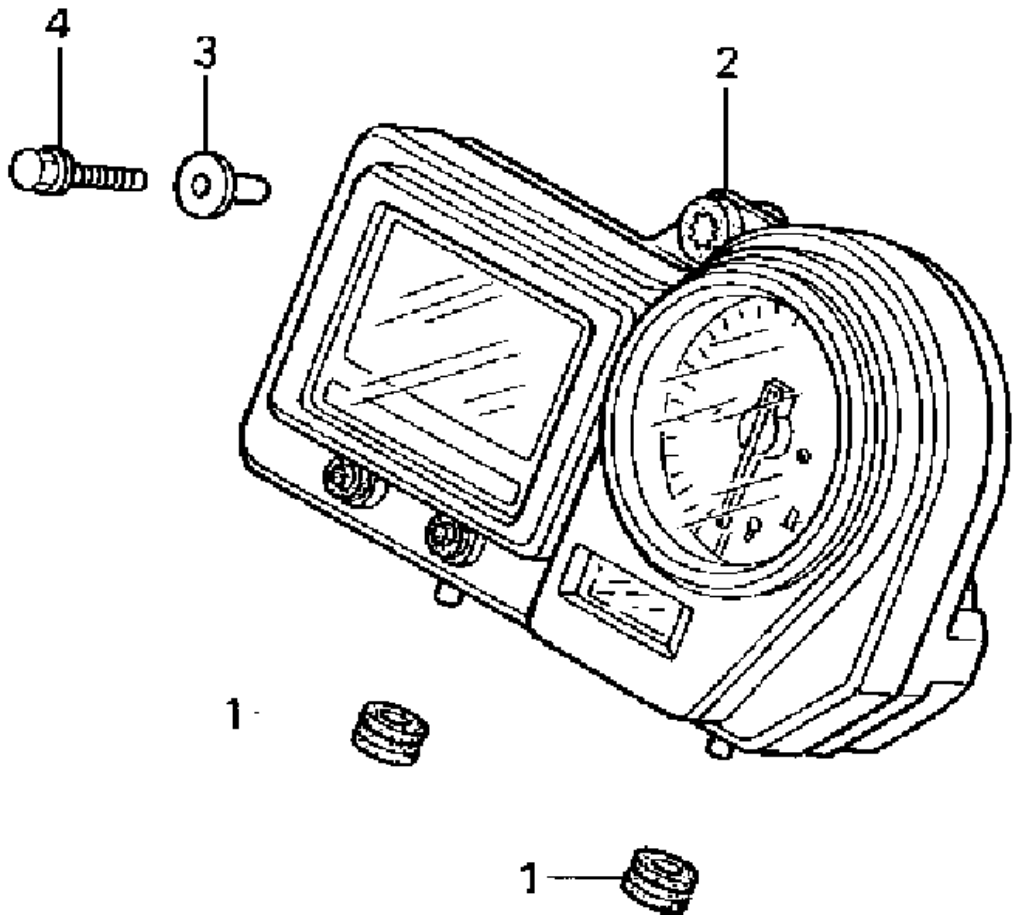
MCJ4-F2900

## 2000 HONDA CBR929RR

### SPEEDOMETER

CLICK BELOW FOR MORE INFO

No.	Part No.	Description
<a href="#">1</a>	<a href="#">17251-KE8-690</a>	<a href="#">GROMMET, A/CLNR HSG</a>
<a href="#">2</a>	<a href="#">37100-MCJ-671</a>	<a href="#">METER ASSY., COMBINA</a>
<a href="#">3</a>	<a href="#">37243-KV3-830</a>	<a href="#">COLLAR</a>
<a href="#">4</a>	<a href="#">96300-06022-07</a>	<a href="#">BOLT, FLANGE (6X22)</a>

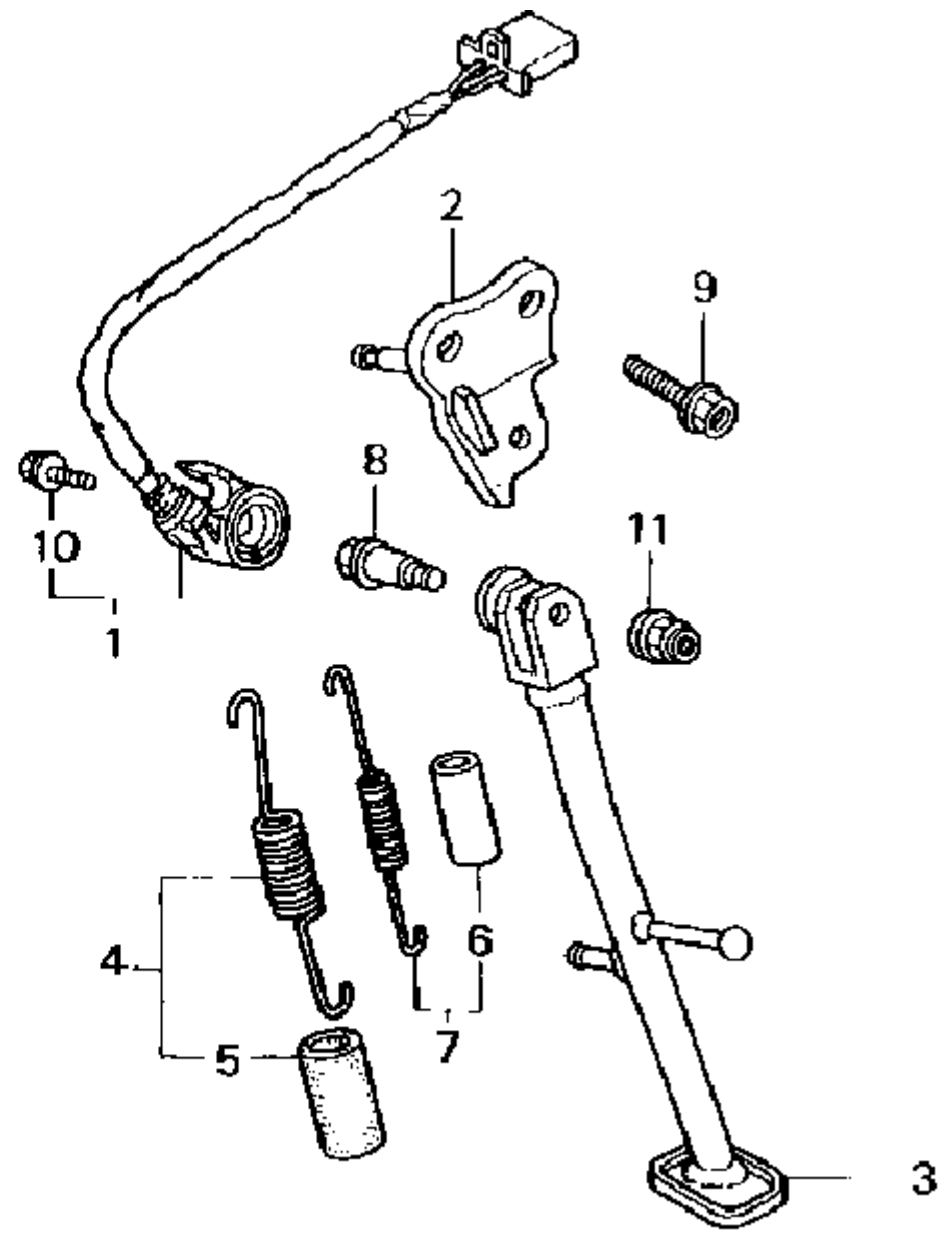


## 2000 HONDA CBR929RR

### STAND

#### CLICK BELOW FOR MORE INFO

No.	Part No.	Description
<a href="#">1</a>	<a href="#">35700-MCJ-305</a>	<a href="#">SWITCH SET, SIDE STA</a>
<a href="#">2</a>	<a href="#">50150-MCJ-000</a>	<a href="#">BRACKET, SIDE STAND</a>
<a href="#">3</a>	<a href="#">50530-MCJ-000</a>	<a href="#">BAR COMP., SIDE STAN</a>
<a href="#">4</a>	<a href="#">50540-MW0-000</a>	<a href="#">SPRING, SIDE STAND</a>
<a href="#">5</a>	<a href="#">50543-MT3-611</a>	<a href="#">TUBE</a>
<a href="#">6</a>	<a href="#">50543-MV9-610</a>	<a href="#">TUBE</a>
<a href="#">7</a>	<a href="#">50543-MW0-610</a>	<a href="#">SPRING ASSY.</a>
<a href="#">8</a>	<a href="#">90112-MCJ-000</a>	<a href="#">BOLT, SIDE STAND PIV</a>
<a href="#">9</a>	<a href="#">90133-MR8-000</a>	<a href="#">BOLT, FLANGE (10X32)</a>
<a href="#">10</a>	<a href="#">90147-MK6-671</a>	<a href="#">BOLT, SPECIAL (6X16)</a>
<a href="#">11</a>	<a href="#">90203-MF9-710</a>	<a href="#">NUT, SIDE STAND</a>

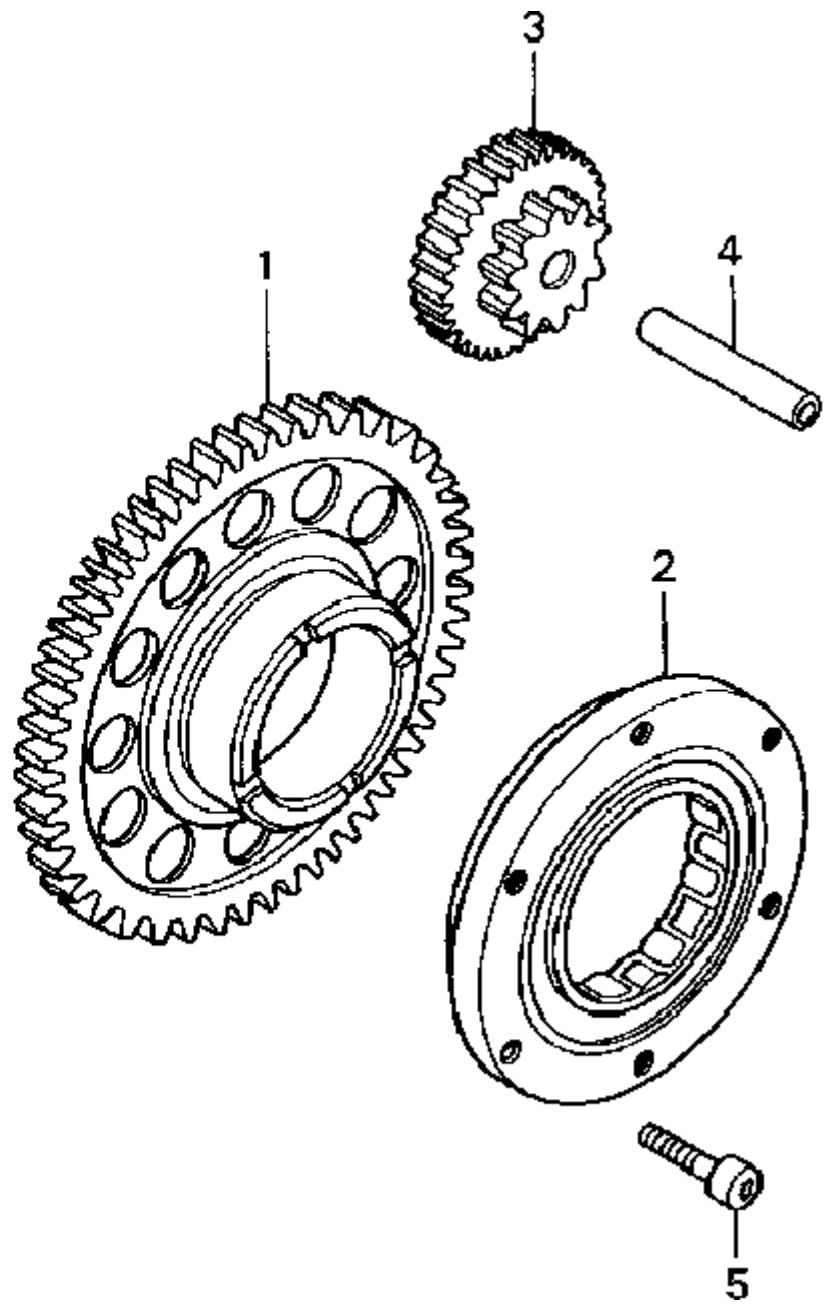


## 2000 HONDA CBR929RR

### STARTING CLUTCH

**CLICK BELOW FOR MORE INFO**

No.	Part No.	Description
<a href="#">1</a>	<a href="#">28110-MCJ-000</a>	<a href="#">GEAR COMP., STARTING</a>
<a href="#">2</a>	<a href="#">28125-MCJ-000</a>	<a href="#">CLUTCH, STARTING</a>
<a href="#">3</a>	<a href="#">28130-MCJ-000</a>	<a href="#">GEAR COMP., STARTER</a>
<a href="#">4</a>	<a href="#">28133-HA0-770</a>	<a href="#">SHAFT A</a>
<a href="#">5</a>	<a href="#">90085-413-781</a>	<a href="#">BOLT, SOCKET (6MM)</a>



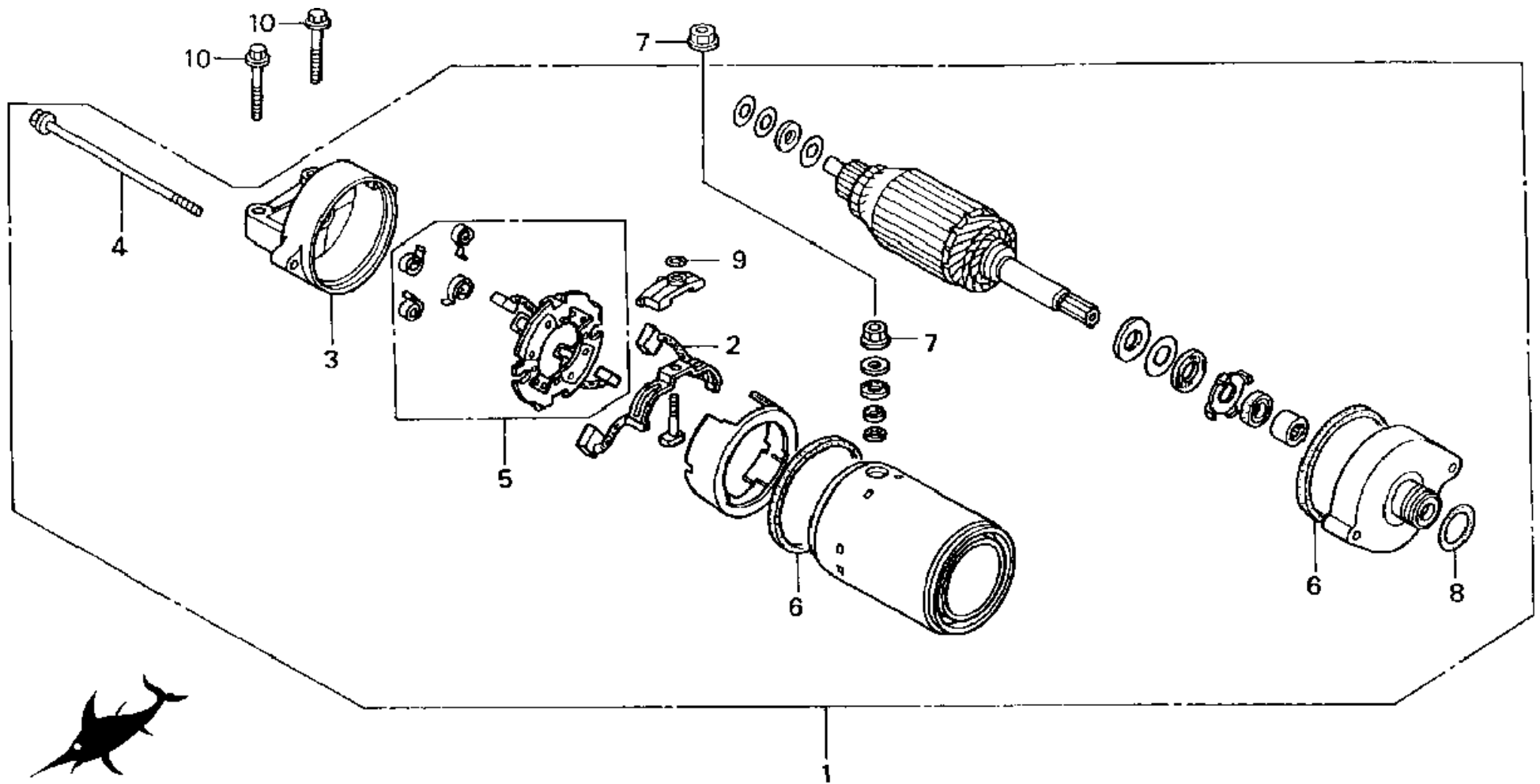


## 2000 HONDA CBR929RR

### STARTING MOTOR

**CLICK BELOW FOR MORE INFO**

No.	Part No.	Description
<a href="#">1</a>	<a href="#">31200-MV9-671</a>	<a href="#">MOTOR ASSY., STARTER</a>
<a href="#">2</a>	<a href="#">31201-MR6-008</a>	<a href="#">TERMINAL SET, BRUSH</a>
<a href="#">4</a>	<a href="#">31205-MV9-671</a>	<a href="#">BOLT, SETTING</a>
<a href="#">5</a>	<a href="#">31206-MR6-008</a>	<a href="#">HOLDER SET, BRUSH</a>
<a href="#">6</a>	<a href="#">31207-KS5-901</a>	<a href="#">RING</a>
<a href="#">7</a>	<a href="#">90071-MB0-000</a>	<a href="#">NUT-WASHER (6MM)</a>
<a href="#">8</a>	<a href="#">91309-425-003</a>	<a href="#">O-RING (24.4X3.1)</a>
<a href="#">8</a>	<a href="#">91312-MG7-003</a>	<a href="#">O-RING (24.4X3.1)</a>
<a href="#">9</a>	<a href="#">91320-MB0-000</a>	<a href="#">O-RING</a>
<a href="#">10</a>	<a href="#">95701-06028-00</a>	<a href="#">BOLT, FLANGE (6X28)</a>

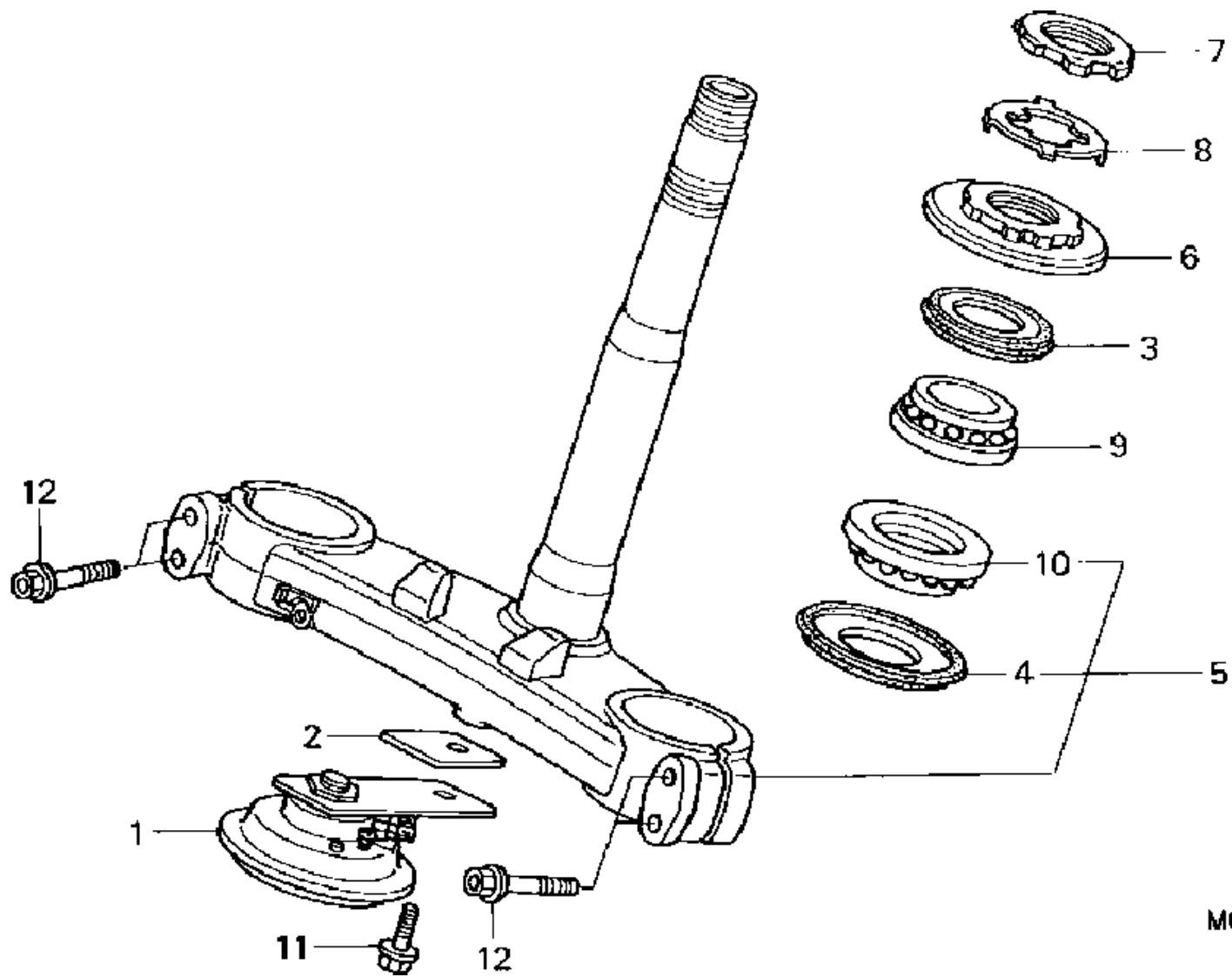


## 2000 HONDA CBR929RR

### STEERING STEM

**CLICK BELOW FOR MORE INFO**

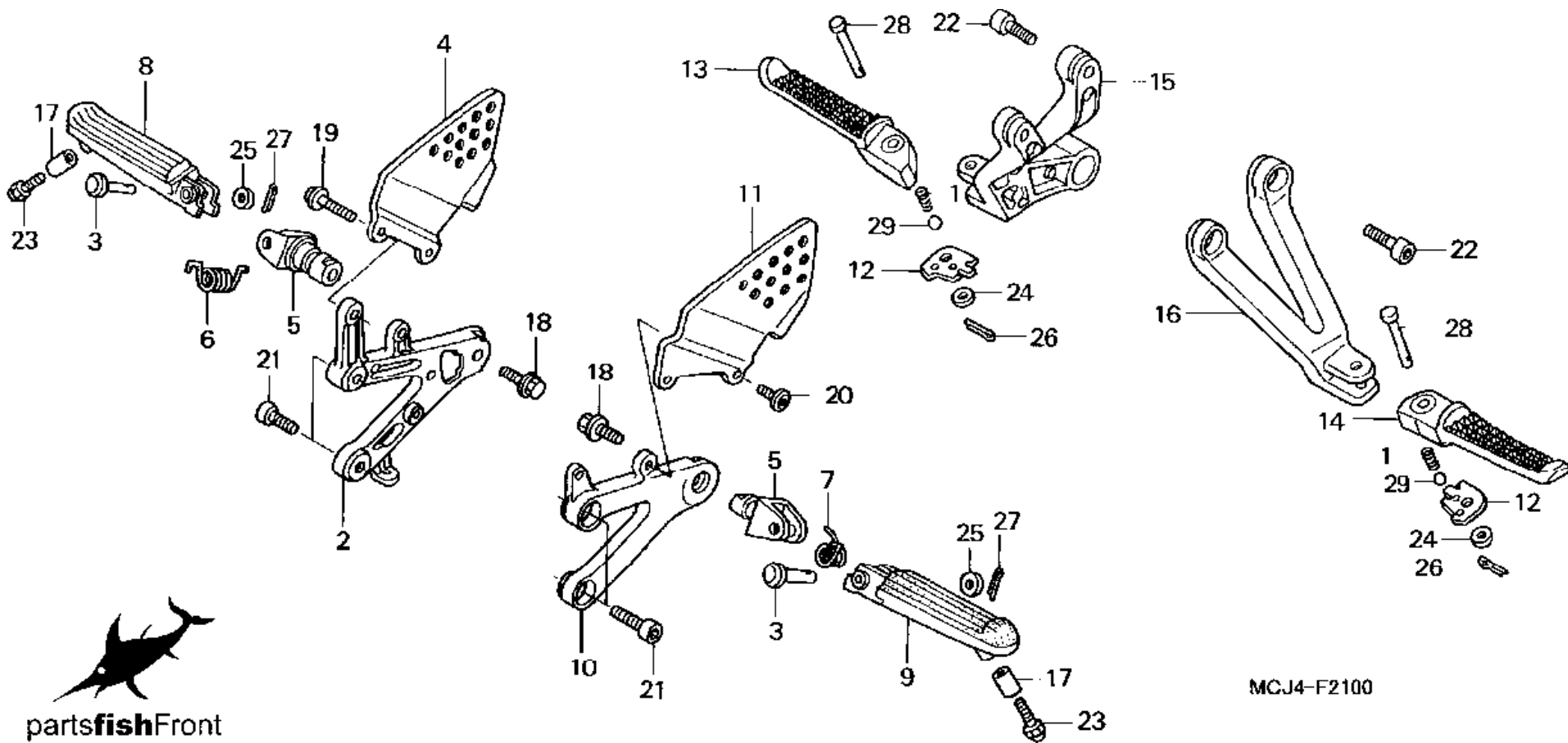
No.	Part No.	Description
<a href="#">1</a>	<a href="#">38110-MAS-E00</a>	<a href="#">HORN COMP. (HIGH)</a>
<a href="#">1</a>	<a href="#">38110-MAS-E11</a>	<a href="#">HORN COMP. (HIGH)</a>
<a href="#">2</a>	<a href="#">38111-MAS-E00</a>	<a href="#">WASHER, HORN</a>
<a href="#">3</a>	<a href="#">53214-KA4-701</a>	<a href="#">DUST SEAL</a>
<a href="#">4</a>	<a href="#">53214-371-010</a>	<a href="#">DUST SEAL</a>
<a href="#">5</a>	<a href="#">53219-MCJ-000</a>	<a href="#">STEM SUB-ASSY.</a>
<a href="#">6</a>	<a href="#">53220-MW0-000</a>	<a href="#">THREAD COMP.</a>
<a href="#">7</a>	<a href="#">90302-425-830</a>	<a href="#">THREAD</a>
<a href="#">8</a>	<a href="#">90506-425-830</a>	<a href="#">WASHER, LOCK</a>
<a href="#">9</a>	<a href="#">91015-KT8-005</a>	<a href="#">BEARING, HEAD PIPE</a>
<a href="#">10</a>	<a href="#">91016-KT8-005</a>	<a href="#">BEARING, HEAD PIPE</a>
<a href="#">11</a>	<a href="#">96300-08012-07</a>	<a href="#">BOLT, FLANGE (8X12)</a>
<a href="#">12</a>	<a href="#">96400-08045-00</a>	<a href="#">BOLT, FLANGE (8X45)</a>



## 2000 HONDA CBR929RR - STEP

<b>CLICK BELOW FOR MORE INFO</b>		
No.	Part No.	Description
<a href="#">1</a>	<a href="#">28333-300-000</a>	<a href="#">SPRING</a>
<a href="#">2</a>	<a href="#">50600-MCJ-000</a>	<a href="#">HOLDER, R. MAIN STEP</a>
<a href="#">3</a>	<a href="#">50603-GS9-010</a>	<a href="#">PIN</a>
<a href="#">4</a>	<a href="#">50607-MCJ-000</a>	<a href="#">GUARD, R. STEP</a>
<a href="#">4</a>	<a href="#">50607-MCJ-610</a>	<a href="#">GUARD COMP., R. STEP</a>
<a href="#">5</a>	<a href="#">50612-MAS-000</a>	<a href="#">BRACKET, MAIN STEP</a>
<a href="#">6</a>	<a href="#">50617-445-840</a>	<a href="#">SPRING, R.</a>
<a href="#">7</a>	<a href="#">50644-445-840</a>	<a href="#">SPRING, L.</a>
<a href="#">8</a>	<a href="#">50660-KV3-700</a>	<a href="#">ARM COMP., R. STEP</a>
<a href="#">9</a>	<a href="#">50670-KV3-700</a>	<a href="#">ARM COMP., L. STEP</a>
<a href="#">10</a>	<a href="#">50700-MCJ-000</a>	<a href="#">HOLDER, L. MAIN STEP</a>
<a href="#">11</a>	<a href="#">50707-MCJ-000</a>	<a href="#">GUARD, L. STEP</a>
<a href="#">12</a>	<a href="#">50718-KT7-761</a>	<a href="#">PLATE</a>
<a href="#">13</a>	<a href="#">50720-KT7-761</a>	<a href="#">BAR, R. PILLION STEP</a>
<a href="#">14</a>	<a href="#">50730-KT7-761</a>	<a href="#">BAR, L. PILLION STEP</a>

<a href="#">15</a>	<a href="#">50750-MCJ-000</a>	<a href="#">HOLDER, R. PILLION S</a>
<a href="#">16</a>	<a href="#">50760-MCJ-000</a>	<a href="#">HOLDER, L. PILLION S</a>
<a href="#">17</a>	<a href="#">51486-MCJ-000</a>	<a href="#">COLLAR, STEP (LOWER)</a>
<a href="#">18</a>	<a href="#">90105-KV3-700</a>	<a href="#">BOLT</a>
<a href="#">19</a>	<a href="#">90115-MCJ-000</a>	<a href="#">BOLT, SPECIAL (6X23)</a>
<a href="#">20</a>	<a href="#">90119-MCJ-000</a>	<a href="#">BOLT, SPECIAL (6X13)</a>
<a href="#">21</a>	<a href="#">90157-KAF-000</a>	<a href="#">BOLT, SOCKET (8X20)</a>
<a href="#">22</a>	<a href="#">90158-KY4-900</a>	<a href="#">BOLT, SOCKET (8X26)</a>
<a href="#">23</a>	<a href="#">92501-08030-0A</a>	<a href="#">BOLT, CAP (8X30)</a>
<a href="#">24</a>	<a href="#">94101-06000</a>	<a href="#">WASHER, PLAIN (6MM)</a>
<a href="#">24</a>	<a href="#">94101-06080</a>	<a href="#">WASHER, PLAIN (6MM)</a>
<a href="#">25</a>	<a href="#">94102-08000</a>	<a href="#">WASHER, PLAIN (8MM)</a>
<a href="#">26</a>	<a href="#">94201-16120</a>	<a href="#">PIN, SPLIT (1.6X12)</a>
<a href="#">27</a>	<a href="#">94201-20150</a>	<a href="#">PIN, SPLIT (2.0X15)</a>
<a href="#">28</a>	<a href="#">95015-83000</a>	<a href="#">PIN C</a>
<a href="#">29</a>	<a href="#">96211-08000</a>	<a href="#">BALL (#8) (1/4)</a>



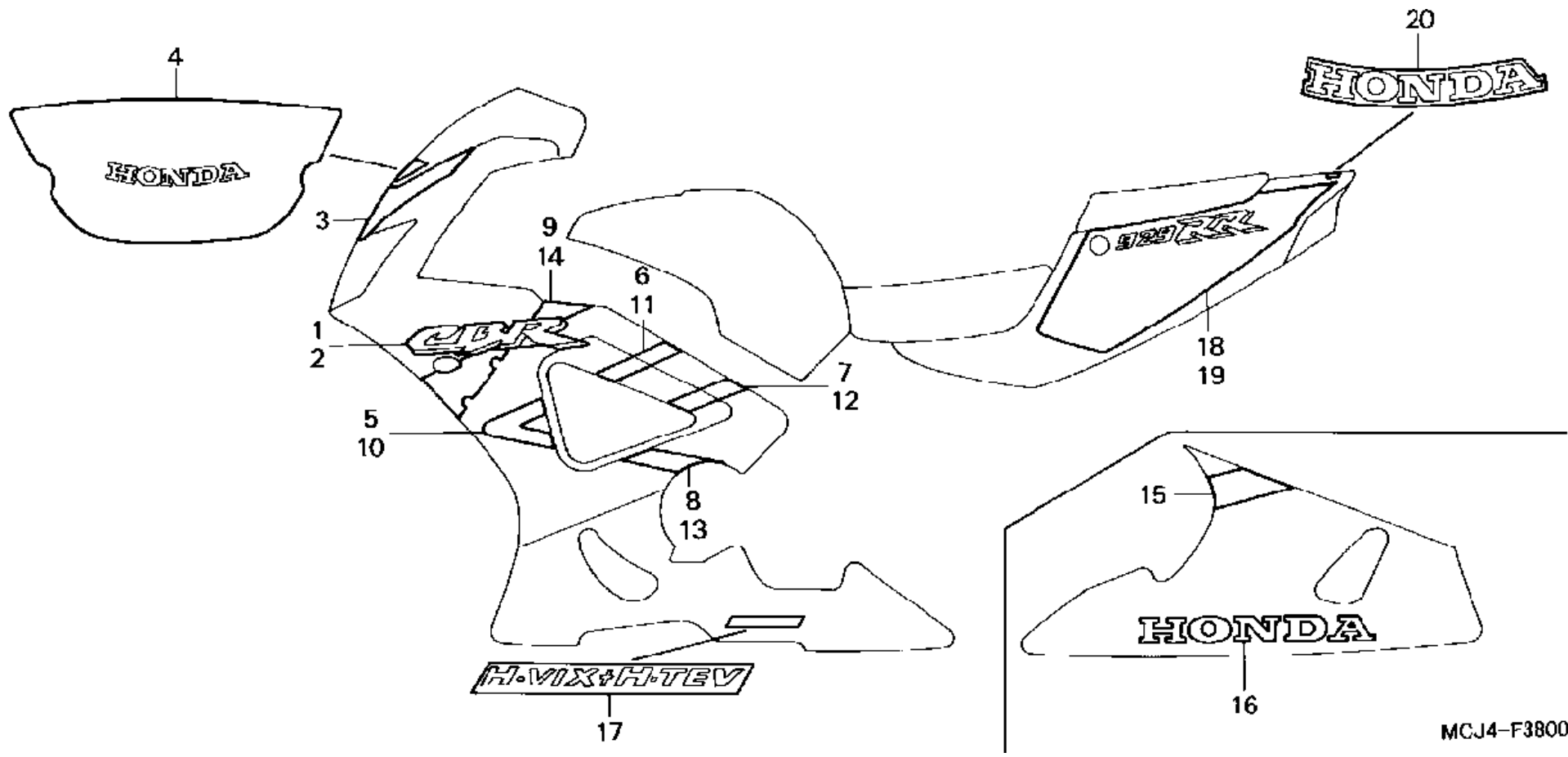
MCJ4-F2100



## 2000 HONDA CBR929RR - STRIPE MARK

CLICK BELOW FOR MORE INFO		
No.	Part No.	Description
1	<a href="#">64102-MCJ-670ZA</a>	<a href="#">STRIPE, R. (TYPE1)</a>
1	<a href="#">64102-MCJ-670ZB</a>	<a href="#">STRIPE, R. (TYPE2)</a>
2	<a href="#">64152-MCJ-670ZA</a>	<a href="#">STRIPE, L. (TYPE1)</a>
2	<a href="#">64152-MCJ-670ZB</a>	<a href="#">STRIPE, L. (TYPE2)</a>
3	<a href="#">64162-MCJ-670ZA</a>	<a href="#">STRIPE B (TYPE1)</a>
4	<a href="#">64220-MCJ-000ZA</a>	<a href="#">STRIPE (TYPE1)</a>
5	<a href="#">64301-MCJ-670ZA</a>	<a href="#">STRIPE A, R. (TYPE1)</a>
5	<a href="#">64301-MCJ-670ZB</a>	<a href="#">STRIPE A, R. (TYPE2)</a>
6	<a href="#">64302-MCJ-670ZA</a>	<a href="#">STRIPE B, R. (TYPE1)</a>
6	<a href="#">64302-MCJ-670ZB</a>	<a href="#">STRIPE B, R. (TYPE2)</a>
7	<a href="#">64303-MCJ-670ZA</a>	<a href="#">STRIPE C, R. (TYPE1)</a>
7	<a href="#">64303-MCJ-670ZB</a>	<a href="#">STRIPE C, R. (TYPE2)</a>
8	<a href="#">64304-MCJ-670ZA</a>	<a href="#">STRIPE D, R. (TYPE1)</a>
8	<a href="#">64304-MCJ-670ZB</a>	<a href="#">STRIPE D, R. (TYPE2)</a>
9	<a href="#">64308-MCJ-670ZA</a>	<a href="#">STRIPE E, R. (TYPE1)</a>
9	<a href="#">64308-MCJ-670ZB</a>	<a href="#">STRIPE E, R. (TYPE2)</a>
10	<a href="#">64351-MCJ-670ZA</a>	<a href="#">STRIPE A, L. (TYPE1)</a>
10	<a href="#">64351-MCJ-670ZB</a>	<a href="#">STRIPE A, L. (TYPE2)</a>

<a href="#">11</a>	<a href="#">64352-MCJ-670ZA</a>	<a href="#">STRIPE B, L. (TYPE1)</a>
<a href="#">11</a>	<a href="#">64352-MCJ-670ZB</a>	<a href="#">STRIPE B, L. (TYPE2)</a>
<a href="#">12</a>	<a href="#">64353-MCJ-670ZA</a>	<a href="#">STRIPE C, L. (TYPE1)</a>
<a href="#">12</a>	<a href="#">64353-MCJ-670ZB</a>	<a href="#">STRIPE C, L. (TYPE2)</a>
<a href="#">13</a>	<a href="#">64354-MCJ-670ZA</a>	<a href="#">STRIPE D, L. (TYPE1)</a>
<a href="#">13</a>	<a href="#">64354-MCJ-670ZB</a>	<a href="#">STRIPE D, L. (TYPE2)</a>
<a href="#">14</a>	<a href="#">64358-MCJ-670ZA</a>	<a href="#">STRIPE E, L. (TYPE1)</a>
<a href="#">14</a>	<a href="#">64358-MCJ-670ZB</a>	<a href="#">STRIPE E, L. (TYPE2)</a>
<a href="#">15</a>	<a href="#">64401-MCJ-670ZA</a>	<a href="#">STRIPE, R. (TYPE1)</a>
<a href="#">15</a>	<a href="#">64401-MCJ-670ZB</a>	<a href="#">STRIPE, R. (TYPE2)</a>
<a href="#">16</a>	<a href="#">64403-MCJ-670ZA</a>	<a href="#">MARK, R. (TYPE1)</a>
<a href="#">16</a>	<a href="#">64403-MCJ-670ZB</a>	<a href="#">MARK, R. (TYPE2)</a>
<a href="#">17</a>	<a href="#">64452-MCJ-000</a>	<a href="#">MARK (H-VIX)</a>
<a href="#">18</a>	<a href="#">77251-MCJ-670ZA</a>	<a href="#">STRIPE, R. (TYPE1)</a>
<a href="#">18</a>	<a href="#">77251-MCJ-670ZB</a>	<a href="#">STRIPE, R. (TYPE2)</a>
<a href="#">19</a>	<a href="#">77252-MCJ-670ZA</a>	<a href="#">STRIPE, L. (TYPE1)</a>
<a href="#">19</a>	<a href="#">77252-MCJ-670ZB</a>	<a href="#">STRIPE, L. (TYPE2)</a>
<a href="#">20</a>	<a href="#">77253-MCJ-670ZA</a>	<a href="#">MARK, RR. (TYPE1)</a>
<a href="#">20</a>	<a href="#">77253-MCJ-670ZB</a>	<a href="#">MARK, RR. (TYPE2)</a>



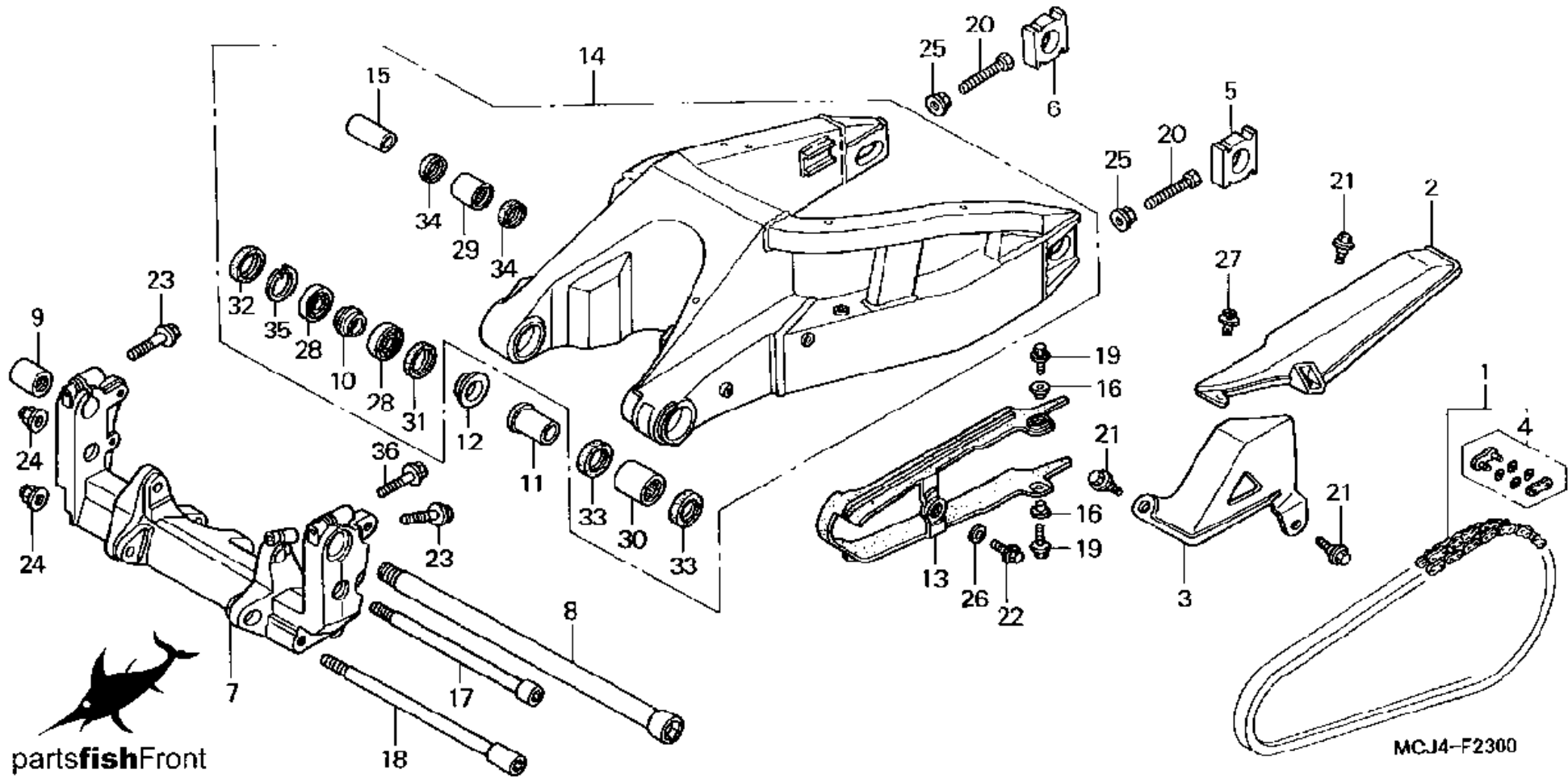
MCJ4-F3800



## 2000 HONDA CBR929RR - SWINGARM

<b>CLICK BELOW FOR MORE INFO</b>		
No.	Part No.	Description
<a href="#">1</a>	<a href="#">06405-MCF-P00</a>	<a href="#">CHAIN SET, DRIVE</a>
<a href="#">2</a>	<a href="#">40510-MCJ-000</a>	<a href="#">CASE A, DRIVE CHAIN</a>
<a href="#">3</a>	<a href="#">40520-MCJ-000</a>	<a href="#">CASE B, DRIVE CHAIN</a>
<a href="#">4</a>	<a href="#">40545-MCJ-005</a>	<a href="#">MASTER LINK</a>
<a href="#">5</a>	<a href="#">42305-MCJ-000</a>	<a href="#">COLLAR, L. RR. AXLE</a>
<a href="#">6</a>	<a href="#">42306-MCJ-000</a>	<a href="#">COLLAR, R. RR. AXLE</a>
<a href="#">7</a>	<a href="#">50300-MCJ-000</a>	<a href="#">BRACKET, RR. CUSHION</a>
<a href="#">8</a>	<a href="#">52101-MCJ-000</a>	<a href="#">BOLT, SWINGARM PIVOT</a>
<a href="#">9</a>	<a href="#">52102-MCJ-000</a>	<a href="#">NUT, SWINGARM PIVOT</a>
<a href="#">10</a>	<a href="#">52141-MCJ-000</a>	<a href="#">COLLAR, PIVOT DISTAN</a>
<a href="#">11</a>	<a href="#">52143-MCJ-000</a>	<a href="#">COLLAR, L. PIVOT DIS</a>
<a href="#">12</a>	<a href="#">52144-MCJ-000</a>	<a href="#">COLLAR, R. PIVOT DIS</a>
<a href="#">13</a>	<a href="#">52170-MCJ-000</a>	<a href="#">SLIDER, CHAIN</a>
<a href="#">14</a>	<a href="#">52200-MCJ-000</a>	<a href="#">SWINGARM SUB-ASSY.</a>
<a href="#">15</a>	<a href="#">52463-MAL-G00</a>	<a href="#">COLLAR</a>
<a href="#">16</a>	<a href="#">81312-GJ5-000</a>	<a href="#">COLLAR</a>
<a href="#">17</a>	<a href="#">90103-MCJ-000</a>	<a href="#">BOLT (10X157)</a>

<a href="#">18</a>	<a href="#">90104-MCJ-000</a>	<a href="#">BOLT (10X157)</a>
<a href="#">19</a>	<a href="#">90105-MY9-000</a>	<a href="#">BOLT, FLANGE (6X18)</a>
<a href="#">20</a>	<a href="#">90106-MCJ-000</a>	<a href="#">BOLT, HEX. (8X50)</a>
<a href="#">21</a>	<a href="#">90113-MAS-E00</a>	<a href="#">BOLT, FLANGE (6MM)</a>
<a href="#">22</a>	<a href="#">90130-MCJ-000</a>	<a href="#">BOLT, FLANGE (6X14)</a>
<a href="#">23</a>	<a href="#">90166-MCJ-000</a>	<a href="#">BOLT, FLANGE (8X50)</a>
<a href="#">24</a>	<a href="#">90304-GA6-003</a>	<a href="#">NUT, AXLE (10MM)</a>
<a href="#">25</a>	<a href="#">90309-357-000</a>	<a href="#">NUT, HEX. (8MM)</a>
<a href="#">26</a>	<a href="#">90485-MB2-000</a>	<a href="#">WASHER (6MM)</a>
<a href="#">27</a>	<a href="#">90683-GR1-003</a>	<a href="#">CLIP, BODY COVER</a>
<a href="#">28</a>	<a href="#">91053-MCJ-003</a>	<a href="#">BEARING (6905)</a>
<a href="#">29</a>	<a href="#">91071-KV3-005</a>	<a href="#">BEARING, NEEDLE</a>
<a href="#">30</a>	<a href="#">91071-MCJ-003</a>	<a href="#">BEARING (32X42X37)</a>
<a href="#">31</a>	<a href="#">91251-MCJ-003</a>	<a href="#">DUST SEAL (32X39X5)</a>
<a href="#">32</a>	<a href="#">91252-MCJ-003</a>	<a href="#">DUST SEAL (31X47X7)</a>
<a href="#">33</a>	<a href="#">91253-MCF-003</a>	<a href="#">DUST SEAL (32X42X6)</a>
<a href="#">34</a>	<a href="#">91262-KV3-831</a>	<a href="#">DUST SEAL (17X24X5)</a>
<a href="#">35</a>	<a href="#">94520-45000</a>	<a href="#">CIRCLIP (45MM)</a>
<a href="#">36</a>	<a href="#">96300-08038-00</a>	<a href="#">BOLT, FLANGE (8X38)</a>

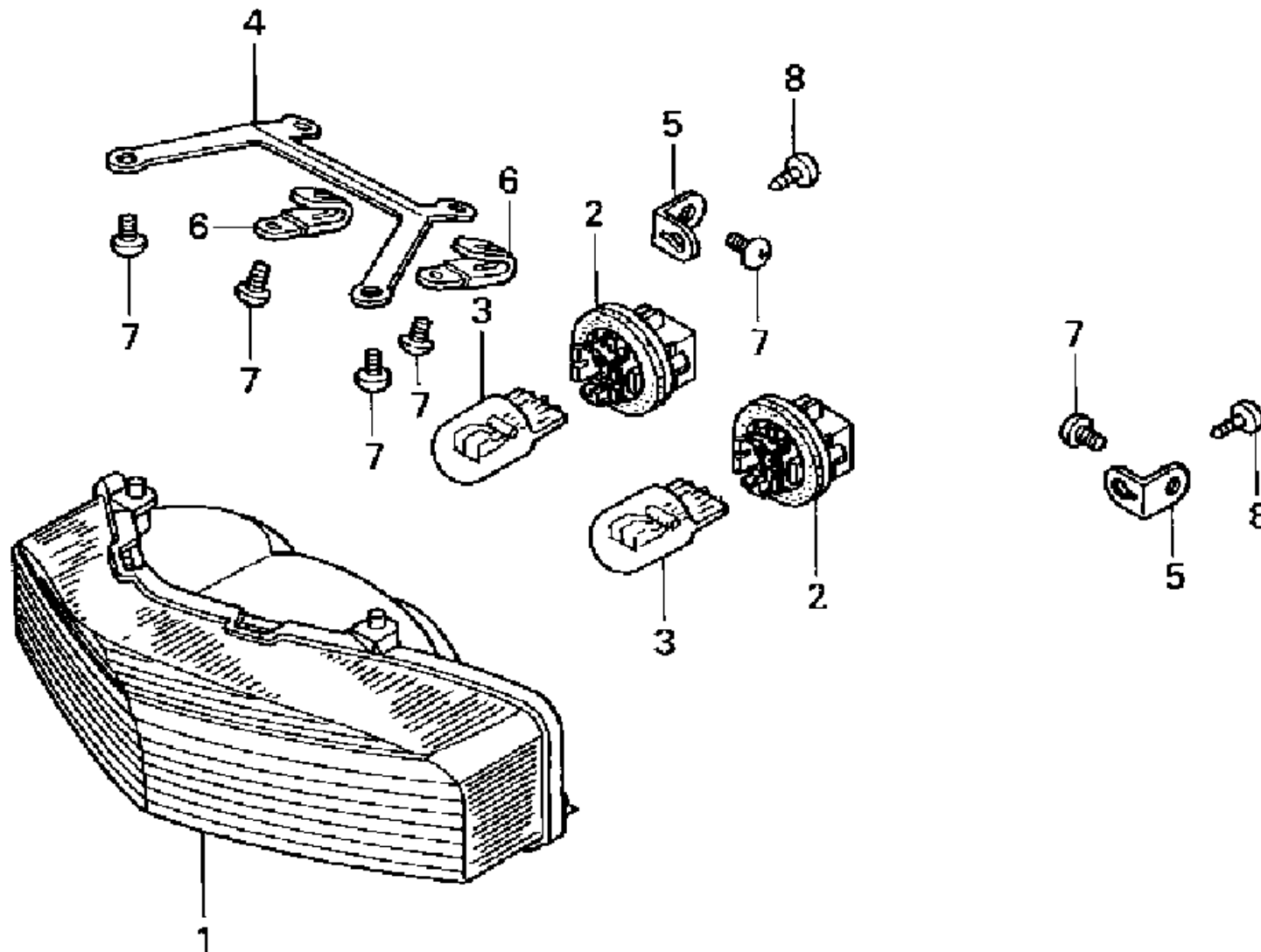


## 2000 HONDA CBR929RR

### TAILLIGHT

#### CLICK BELOW FOR MORE INFO

No.	Part No.	Description
<a href="#">1</a>	<a href="#">33702-MCJ-671</a>	<a href="#">LENS COMP., TAILLIGH</a>
<a href="#">2</a>	<a href="#">33720-GZ9-003</a>	<a href="#">SOCKET</a>
<a href="#">3</a>	<a href="#">34906-MBB-611</a>	<a href="#">BULB (12V 21/5W ECE)</a>
<a href="#">4</a>	<a href="#">77215-MCJ-000</a>	<a href="#">STAY, TAILLIGHT</a>
<a href="#">5</a>	<a href="#">77216-MCJ-000</a>	<a href="#">STAY, TAILLIGHT SIDE</a>
<a href="#">6</a>	<a href="#">90010-GE0-710</a>	<a href="#">CLIP, TUBE</a>
<a href="#">7</a>	<a href="#">90114-KW7-900</a>	<a href="#">SCREW, VISOR SETTING</a>
<a href="#">8</a>	<a href="#">93903-25210</a>	<a href="#">SCREW, TAP (5X12)</a>



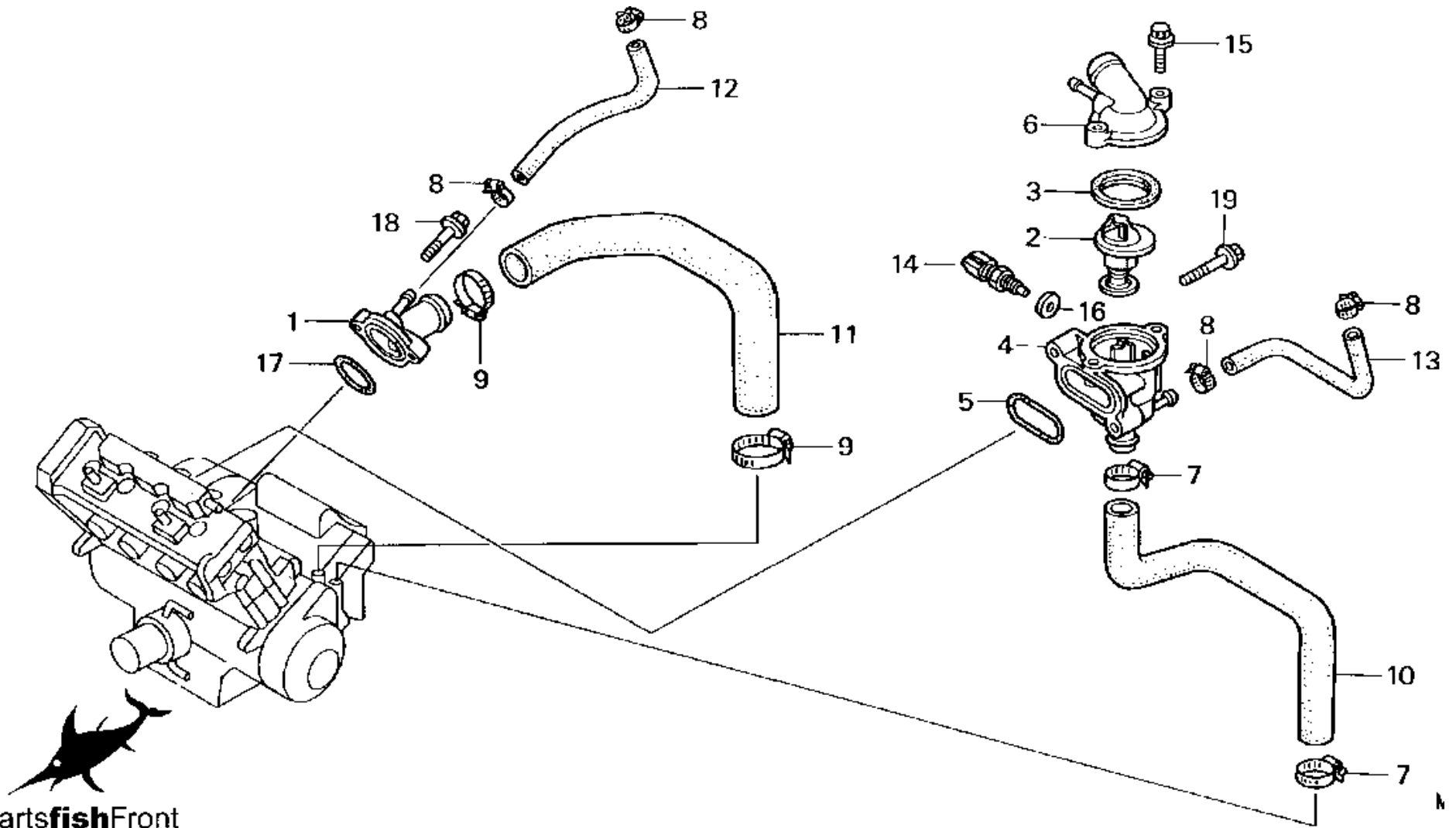
MCJ4-F2700

## 2000 HONDA CBR929RR

### THERMOSTAT

#### CLICK BELOW FOR MORE INFO

No.	Part No.	Description
<a href="#">1</a>	<a href="#">19060-MCJ-000</a>	<a href="#">JOINT, WATER</a>
<a href="#">2</a>	<a href="#">19300-MCJ-000</a>	<a href="#">THERMOSTAT ASSY.</a>
<a href="#">3</a>	<a href="#">19305-KV3-010</a>	<a href="#">RUBBER, THERMOSTAT</a>
<a href="#">5</a>	<a href="#">19312-MBW-000</a>	<a href="#">GASKET</a>
<a href="#">6</a>	<a href="#">19315-MCJ-000</a>	<a href="#">COVER, THERMOSTAT</a>
<a href="#">7</a>	<a href="#">19504-KY1-003</a>	<a href="#">CLAMP (25MM)</a>
<a href="#">8</a>	<a href="#">19507-MAT-000</a>	<a href="#">CLAMP, RADIATOR HOSE</a>
<a href="#">9</a>	<a href="#">19516-ML7-691</a>	<a href="#">CLAMP (24-32MM)</a>
<a href="#">10</a>	<a href="#">19523-MCJ-000</a>	<a href="#">HOSE, BYPASS</a>
<a href="#">11</a>	<a href="#">19525-MCJ-000</a>	<a href="#">HOSE A, WATER</a>
<a href="#">12</a>	<a href="#">19527-MCJ-000</a>	<a href="#">HOSE C, WATER</a>
<a href="#">13</a>	<a href="#">19528-MCJ-000</a>	<a href="#">HOSE D, WATER</a>
<a href="#">14</a>	<a href="#">37870-MBG-003</a>	<a href="#">SENSOR, WATER TEMP</a>
<a href="#">15</a>	<a href="#">90018-ZE1-000</a>	<a href="#">BOLT (6X23) (CT200)</a>
<a href="#">16</a>	<a href="#">90454-MC7-000</a>	<a href="#">WASHER (12MM)</a>
<a href="#">17</a>	<a href="#">91356-425-003</a>	<a href="#">O-RING (30MM)</a>
<a href="#">17</a>	<a href="#">91356-425-005</a>	<a href="#">O-RING (29.7X2.4)</a>
<a href="#">18</a>	<a href="#">95701-06025-00</a>	<a href="#">BOLT, FLANGE (6X25)</a>
<a href="#">19</a>	<a href="#">95701-06035-00</a>	<a href="#">BOLT, FLANGE (6X35)</a>

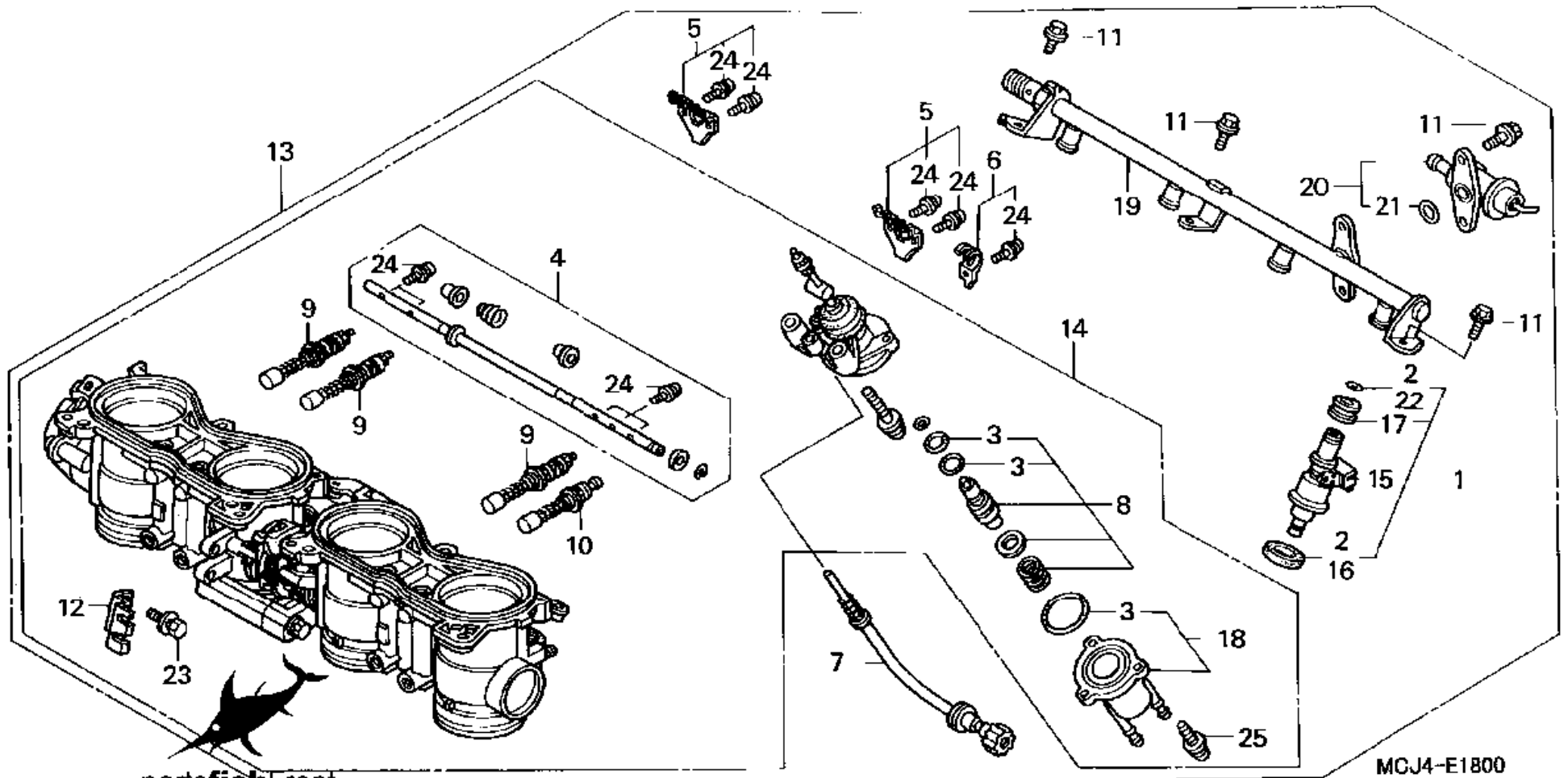


## 2000 HONDA CBR929RR

### THROTTLE BODY ASSY

#### CLICK BELOW FOR MORE INFO

No.	Part No.	Description
<a href="#">1</a>	<a href="#">06164-MCJ-671</a>	<a href="#">INJECTOR SET, FUEL</a>
<a href="#">2</a>	<a href="#">16010-MCJ-003</a>	<a href="#">GASKET SET</a>
<a href="#">3</a>	<a href="#">16011-MAT-E01</a>	<a href="#">GASKET SET B</a>
<a href="#">4</a>	<a href="#">16017-MCJ-003</a>	<a href="#">SHAFT SET, STARTER</a>
<a href="#">5</a>	<a href="#">16018-MCJ-003</a>	<a href="#">LEVER SET A, STARTER</a>
<a href="#">6</a>	<a href="#">16019-MCJ-003</a>	<a href="#">LEVER SET B, STARTER</a>
<a href="#">7</a>	<a href="#">16029-MCJ-003</a>	<a href="#">SCREW SET, STOP</a>
<a href="#">8</a>	<a href="#">16044-MAT-E01</a>	<a href="#">ELEMENT SET, WAX</a>
<a href="#">9</a>	<a href="#">16046-MCJ-003</a>	<a href="#">VALVE SET, STARTER</a>
<a href="#">10</a>	<a href="#">16047-MCJ-003</a>	<a href="#">VALVE COMP., STARTER</a>
<a href="#">11</a>	<a href="#">16080-MCJ-003</a>	<a href="#">BOLT, FLANGE (6X12)</a>
<a href="#">12</a>	<a href="#">16169-MCJ-003</a>	<a href="#">STAY, WIRE</a>
<a href="#">13</a>	<a href="#">16400-MCJ-771</a>	<a href="#">BODY ASSY. (GQ60B A)</a>
<a href="#">14</a>	<a href="#">16401-MCJ-771</a>	<a href="#">BODY ASSY., THROTTLE</a>
<a href="#">16</a>	<a href="#">16472-MCF-003</a>	<a href="#">SEAL RING, INJECTOR</a>
<a href="#">17</a>	<a href="#">16473-PD6-000</a>	<a href="#">RUBBER RING</a>
<a href="#">18</a>	<a href="#">16502-MAT-E01</a>	<a href="#">CASE SET, WAX</a>
<a href="#">19</a>	<a href="#">16610-MCJ-003</a>	<a href="#">PIPE COMP., FUEL</a>
<a href="#">20</a>	<a href="#">16740-MCJ-003</a>	<a href="#">REGULATOR ASSY., PRE</a>
<a href="#">21</a>	<a href="#">16741-PG7-005</a>	<a href="#">O-RING</a>
<a href="#">22</a>	<a href="#">91301-PM7-003</a>	<a href="#">O-RING (7.3X2.2)</a>
<a href="#">23</a>	<a href="#">93402-05014-00</a>	<a href="#">BOLT-WASHER (5X14)</a>
<a href="#">24</a>	<a href="#">93892-03008-10</a>	<a href="#">SCREW-WASHER (3X8)</a>
<a href="#">25</a>	<a href="#">93892-05012-00</a>	<a href="#">SCREW-WASHER (5X12)</a>
<a href="#">25</a>	<a href="#">93892-05012-10</a>	<a href="#">SCREW-WASHER (5X12)</a>



partsfish rent

MCJ4-E1800

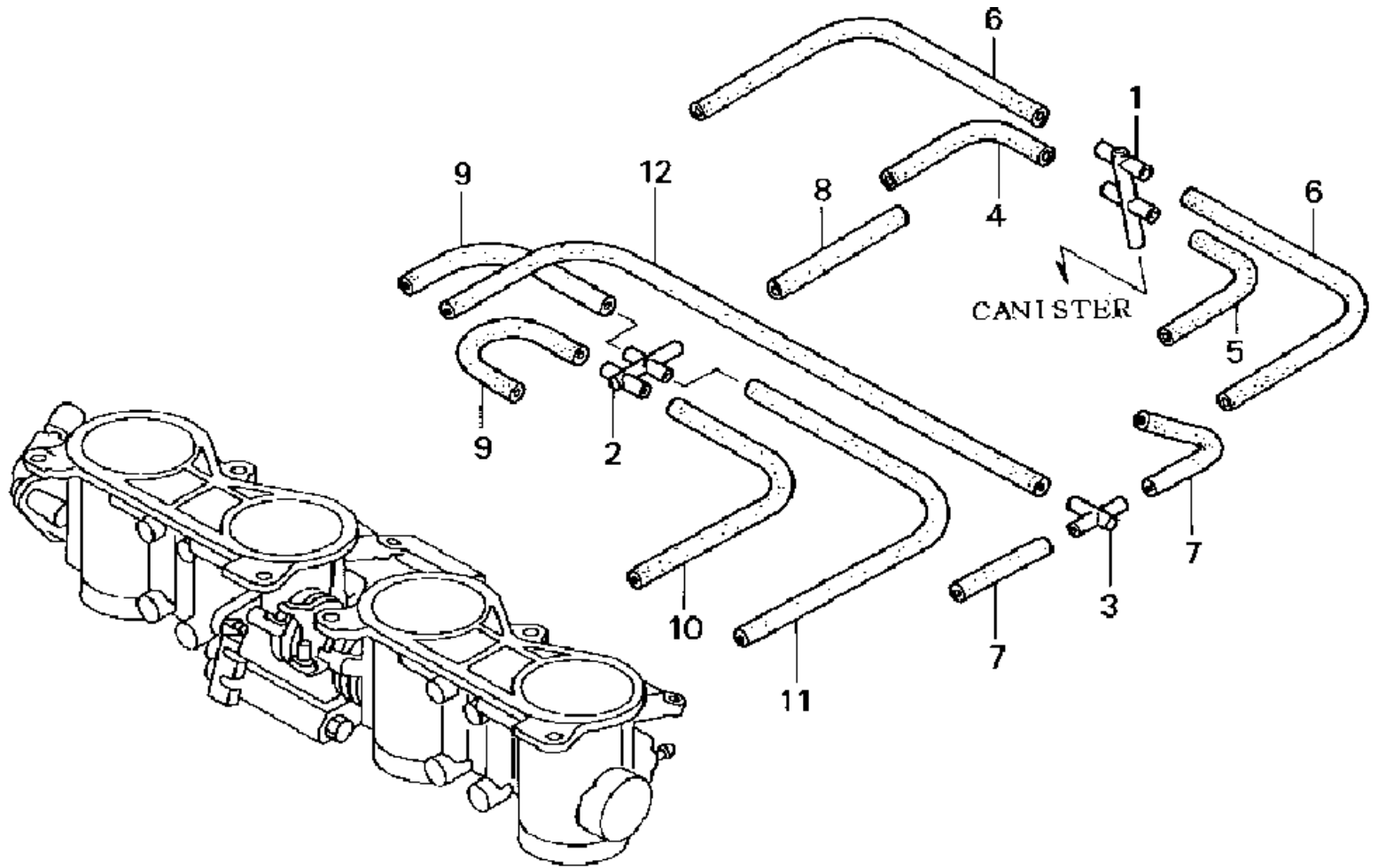


## 2000 HONDA CBR929RR

### THROTTLE BODY TUBING

#### CLICK BELOW FOR MORE INFO

No.	Part No.	Description
<a href="#">1</a>	<a href="#">16180-ME5-761</a>	<a href="#">JOINT</a>
<a href="#">2</a>	<a href="#">17201-MCJ-003</a>	<a href="#">JOINT (5WAY)</a>
<a href="#">3</a>	<a href="#">17201-MG9-000</a>	<a href="#">JOINT, VACUUM TUBE</a>
<a href="#">4</a>	<a href="#">19197-MCJ-771</a>	<a href="#">TUBE</a>
<a href="#">5</a>	<a href="#">19198-MCJ-771</a>	<a href="#">TUBE</a>
<a href="#">6</a>	<a href="#">19199-MCJ-771</a>	<a href="#">TUBE</a>
<a href="#">7</a>	<a href="#">95005-35001-20M</a>	<a href="#">BULK HOSE (3.5X1000)</a>
<a href="#">8</a>	<a href="#">95005-35001-20M</a>	<a href="#">BULK HOSE (3.5X1000)</a>
<a href="#">9</a>	<a href="#">95005-35001-20M</a>	<a href="#">BULK HOSE (3.5X1000)</a>
<a href="#">10</a>	<a href="#">95005-35001-20M</a>	<a href="#">BULK HOSE (3.5X1000)</a>
<a href="#">11</a>	<a href="#">95005-35001-20M</a>	<a href="#">BULK HOSE (3.5X1000)</a>
<a href="#">12</a>	<a href="#">95005-35001-20M</a>	<a href="#">BULK HOSE (3.5X1000)</a>

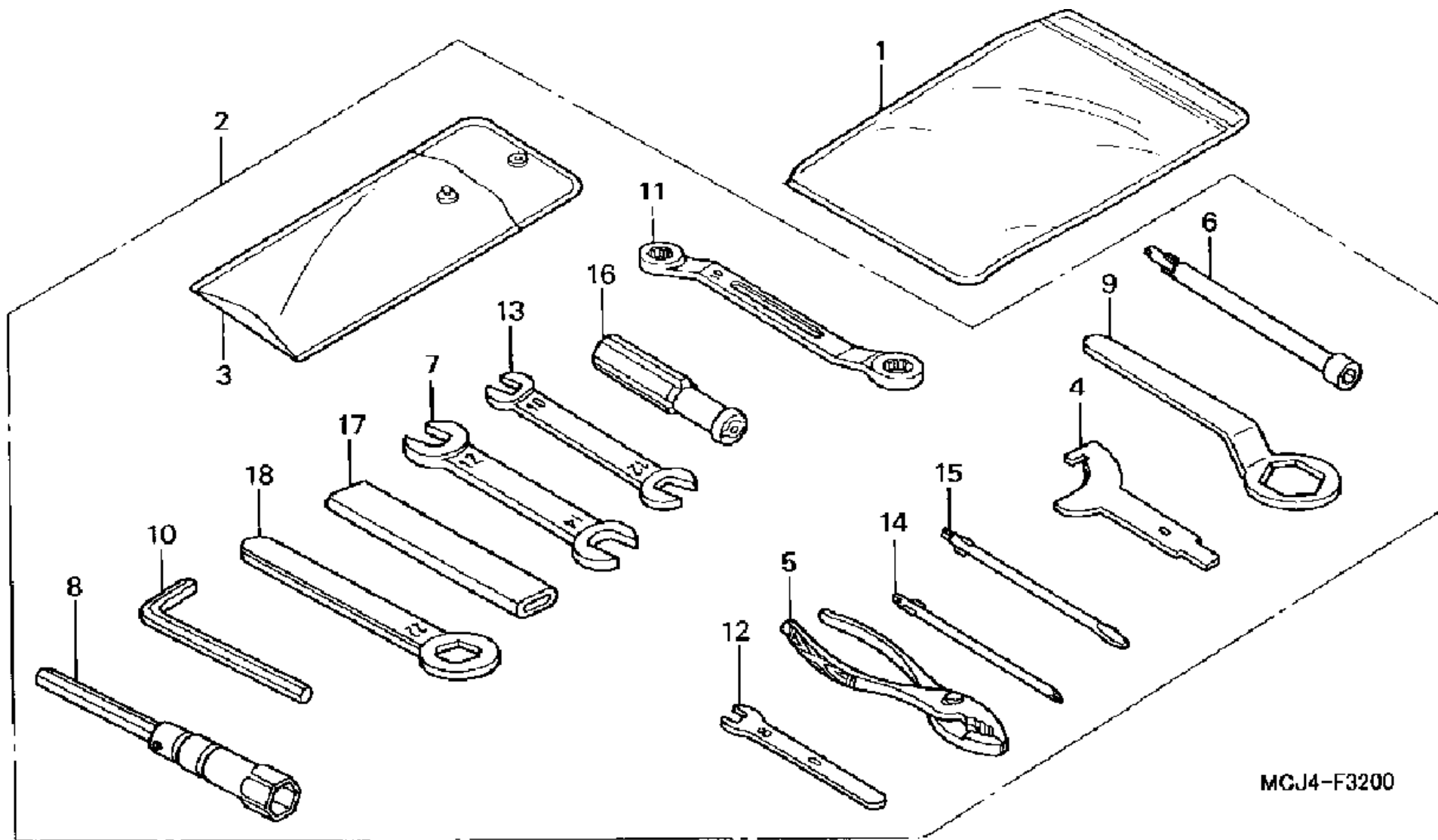


## 2000 HONDA CBR929RR

### TOOLS

#### CLICK BELOW FOR MORE INFO

No.	Part No.	Description
<a href="#">1</a>	<a href="#">77251-342-000</a>	<a href="#">BAG, SERVICE BOOK</a>
<a href="#">2</a>	<a href="#">89010-MCJ-000</a>	<a href="#">TOOL SET</a>
<a href="#">3</a>	<a href="#">89101-ME5-670</a>	<a href="#">BAG, TOOL</a>
<a href="#">4</a>	<a href="#">89202-KY1-700</a>	<a href="#">WRENCH, PIN</a>
<a href="#">6</a>	<a href="#">89211-KJ2-000</a>	<a href="#">WRENCH, BOX (8MM)</a>
<a href="#">7</a>	<a href="#">89216-KB7-000</a>	<a href="#">SPANNER (12X14)</a>
<a href="#">8</a>	<a href="#">89216-MBG-000</a>	<a href="#">WRENCH, PLUG (16.5)</a>
<a href="#">9</a>	<a href="#">89218-MAZ-000</a>	<a href="#">WRENCH, EYE (32)</a>
<a href="#">10</a>	<a href="#">89221-429-000</a>	<a href="#">WRENCH, HEX. (5MM)</a>
<a href="#">11</a>	<a href="#">89227-461-000</a>	<a href="#">WRENCH, EYE (10X12)</a>
<a href="#">12</a>	<a href="#">99001-08000</a>	<a href="#">WRENCH (8MM)</a>
<a href="#">13</a>	<a href="#">99001-10120</a>	<a href="#">SPANNER (10X12)</a>
<a href="#">14</a>	<a href="#">99003-10000</a>	<a href="#">SCREWDRIVER 1 (NO.2)</a>
<a href="#">15</a>	<a href="#">99003-30000</a>	<a href="#">SCREWDRIVER 3</a>
<a href="#">16</a>	<a href="#">99003-50000</a>	<a href="#">GRIP</a>
<a href="#">17</a>	<a href="#">99006-12000</a>	<a href="#">HANDLE (12MM)</a>
<a href="#">18</a>	<a href="#">99006-22000</a>	<a href="#">WRENCH, EYE (22MM)</a>

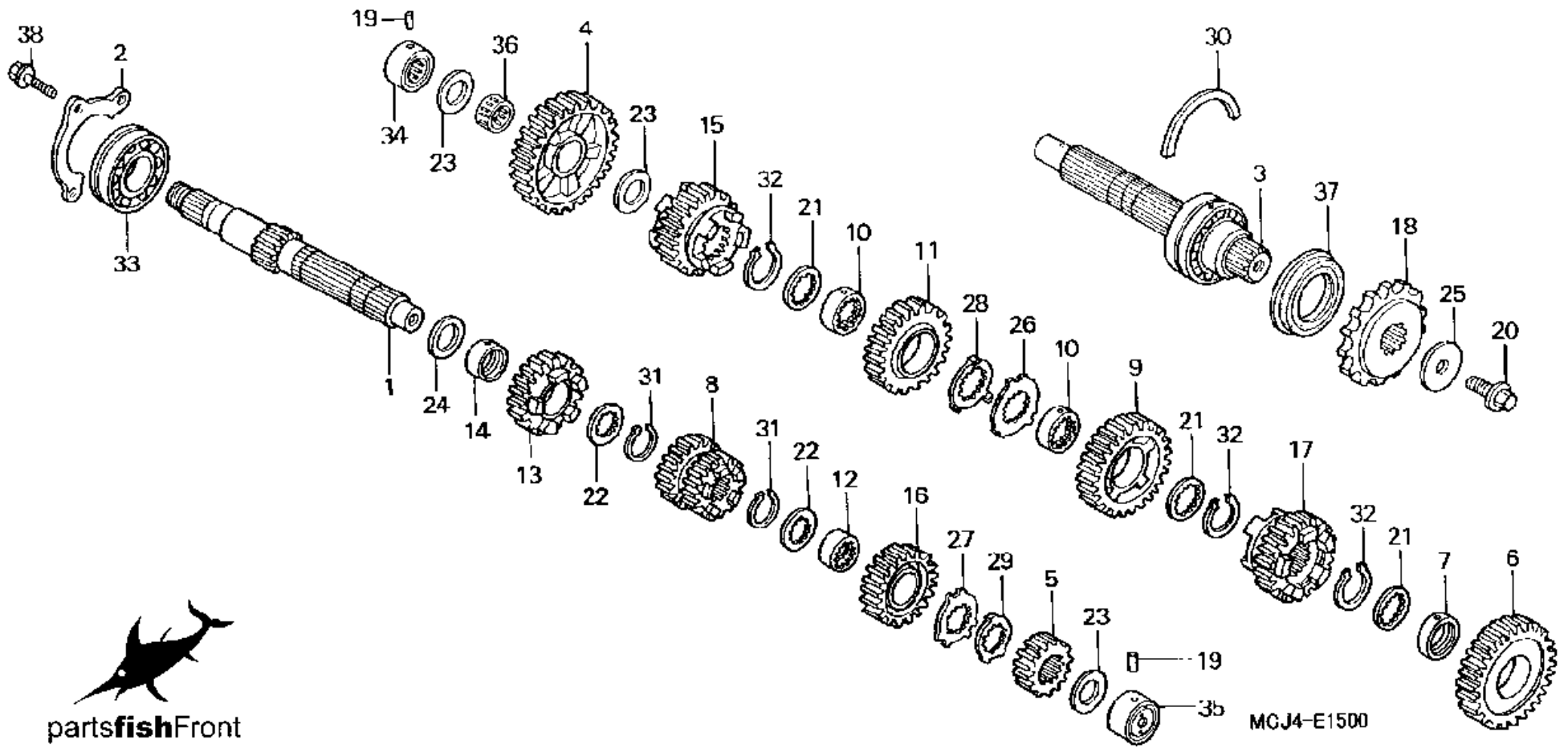


MCJ4-F3200

## 2000 HONDA CBR929RR - TRANSMISSION

<b>CLICK BELOW FOR MORE INFO</b>		
No.	Part No.	Description
<a href="#">1</a>	<a href="#">23211-MCJ-000</a>	<a href="#">MAINSHAFT (13T)</a>
<a href="#">2</a>	<a href="#">23212-MBW-000</a>	<a href="#">PLATE</a>
<a href="#">3</a>	<a href="#">23220-MCJ-000</a>	<a href="#">COUNTERSHAFT COMP.</a>
<a href="#">4</a>	<a href="#">23421-MCJ-000</a>	<a href="#">GEAR, COUNTERSHAFT F</a>
<a href="#">5</a>	<a href="#">23431-MCJ-000</a>	<a href="#">GEAR, MAINSHAFT SECO</a>
<a href="#">6</a>	<a href="#">23441-MCJ-000</a>	<a href="#">GEAR, COUNTERSHAFT S</a>
<a href="#">7</a>	<a href="#">23442-MCJ-000</a>	<a href="#">COLLAR (30X9.5)</a>
<a href="#">8</a>	<a href="#">23451-MCJ-000</a>	<a href="#">GEAR (20/20T)</a>
<a href="#">9</a>	<a href="#">23461-MCJ-000</a>	<a href="#">GEAR, COUNTERSHAFT T</a>
<a href="#">10</a>	<a href="#">23462-MCJ-000</a>	<a href="#">COLR, SPLINE (30X9)</a>
<a href="#">11</a>	<a href="#">23481-MCJ-000</a>	<a href="#">GEAR, COUNTERSHAFT F</a>
<a href="#">12</a>	<a href="#">23482-MCJ-000</a>	<a href="#">COLR, SPLINE (28X16)</a>
<a href="#">13</a>	<a href="#">23491-MCJ-000</a>	<a href="#">GEAR, MAINSHAFT FIFT</a>
<a href="#">14</a>	<a href="#">23495-MM5-000</a>	<a href="#">COLLAR (28X13)</a>
<a href="#">15</a>	<a href="#">23501-MCJ-000</a>	<a href="#">GEAR, COUNTERSHAFT F</a>
<a href="#">16</a>	<a href="#">23511-MCJ-000</a>	<a href="#">GEAR, MAINSHAFT TOP</a>
<a href="#">17</a>	<a href="#">23521-MCJ-000</a>	<a href="#">GEAR, COUNTERSHAFT T</a>
<a href="#">18</a>	<a href="#">23801-MCJ-000</a>	<a href="#">SPROCKET, DRIVE (16T</a>

<a href="#">19</a>	<a href="#">24261-283-000</a>	<a href="#">PIN</a>
<a href="#">20</a>	<a href="#">90037-422-003</a>	<a href="#">BOLT, SPECIAL (10MM)</a>
<a href="#">21</a>	<a href="#">90452-MAT-000</a>	<a href="#">WASHER (30X36X1.5)</a>
<a href="#">22</a>	<a href="#">90452-MR7-000</a>	<a href="#">WASHER (28X34X1.5)</a>
<a href="#">23</a>	<a href="#">90455-ML7-000</a>	<a href="#">WASHER B (22MM)</a>
<a href="#">24</a>	<a href="#">90458-729-920</a>	<a href="#">WASHER (28MM)</a>
<a href="#">25</a>	<a href="#">90459-438-000</a>	<a href="#">WASHER (10.2MM)</a>
<a href="#">26</a>	<a href="#">90463-MAT-000</a>	<a href="#">WASHER (30MM)</a>
<a href="#">27</a>	<a href="#">90463-MCJ-000</a>	<a href="#">WASHER (28MM)</a>
<a href="#">28</a>	<a href="#">90464-MAT-000</a>	<a href="#">WASHER, LOCK (30MM)</a>
<a href="#">29</a>	<a href="#">90464-MCJ-000</a>	<a href="#">WASHER, LOCK (28MM)</a>
<a href="#">30</a>	<a href="#">90602-ML7-000</a>	<a href="#">SET-RING (62MM)</a>
<a href="#">31</a>	<a href="#">90602-MM5-000</a>	<a href="#">CIRCLIP (28MM)</a>
<a href="#">32</a>	<a href="#">90604-MM5-000</a>	<a href="#">CIRCLIP (30MM)</a>
<a href="#">33</a>	<a href="#">91001-MT7-003</a>	<a href="#">BEARING (6305)</a>
<a href="#">34</a>	<a href="#">91022-MM5-003</a>	<a href="#">BEARING (22MM)</a>
<a href="#">35</a>	<a href="#">91023-MM5-641</a>	<a href="#">BEARING (22MM)</a>
<a href="#">36</a>	<a href="#">91026-MB4-003</a>	<a href="#">BEARING (22X26X11)</a>
<a href="#">37</a>	<a href="#">91207-MW0-003</a>	<a href="#">OIL SEAL (40X62X8.4)</a>
<a href="#">38</a>	<a href="#">95701-06014-00</a>	<a href="#">BOLT, FLANGE (6X14)</a>



MCJ4-E1500



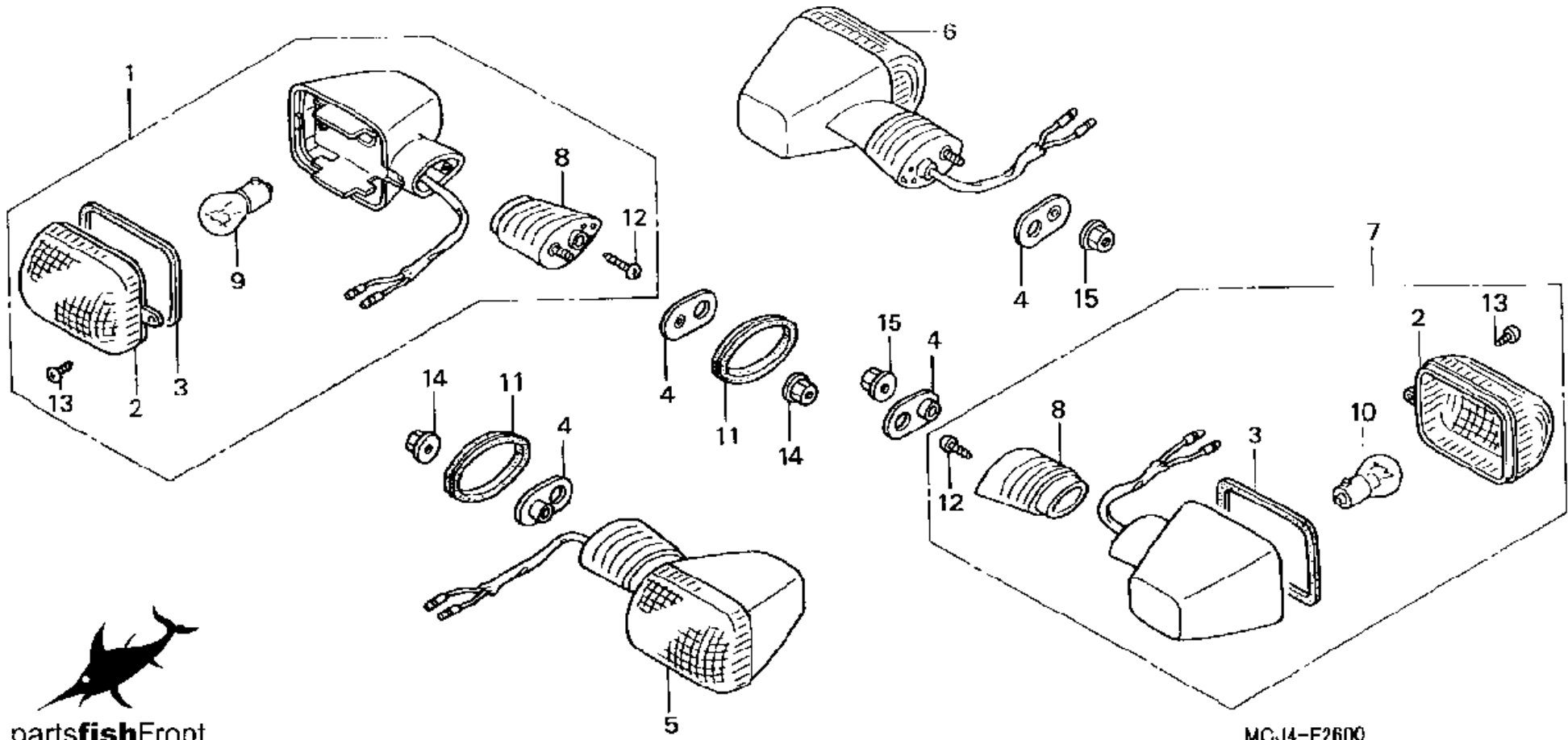
parts**fish**Front

## 2000 HONDA CBR929RR

### TURN SIGNAL

#### CLICK BELOW FOR MORE INFO

No.	Part No.	Description
<a href="#">1</a>	<a href="#">33400-MAS-A11</a>	<a href="#">TURN SIGNAL ASSY.</a>
<a href="#">2</a>	<a href="#">33402-MAS-602</a>	<a href="#">LENS, TURN SIGNAL</a>
<a href="#">3</a>	<a href="#">33407-MAS-601</a>	<a href="#">GASKET, LENS</a>
<a href="#">4</a>	<a href="#">33409-MW0-000</a>	<a href="#">PLATE</a>
<a href="#">5</a>	<a href="#">33450-MAS-A11</a>	<a href="#">TURN SIGNAL ASSY.</a>
<a href="#">6</a>	<a href="#">33600-MAS-A11</a>	<a href="#">TURN SIGNAL, R. RR.</a>
<a href="#">7</a>	<a href="#">33650-MAS-A11</a>	<a href="#">TURN SIGNAL, L. RR.</a>
<a href="#">8</a>	<a href="#">33691-MAS-601</a>	<a href="#">STAY, TURN SIGNAL</a>
<a href="#">9</a>	<a href="#">34905-MAS-671</a>	<a href="#">BULB (12V 23/8W)</a>
<a href="#">10</a>	<a href="#">34906-MAS-671</a>	<a href="#">BULB (12V 23W)</a>
<a href="#">11</a>	<a href="#">64136-ML7-600</a>	<a href="#">RUBBER, FR.</a>
<a href="#">12</a>	<a href="#">93901-34520</a>	<a href="#">SCREW, TAP (4X20)</a>
<a href="#">13</a>	<a href="#">93903-24280</a>	<a href="#">SCREW, TAP (4X10)</a>
<a href="#">14</a>	<a href="#">94050-06070</a>	<a href="#">NUT, FLANGE (6MM)</a>
<a href="#">15</a>	<a href="#">94050-06080</a>	<a href="#">NUT, FLANGE (6MM)</a>




**partsfishFront**

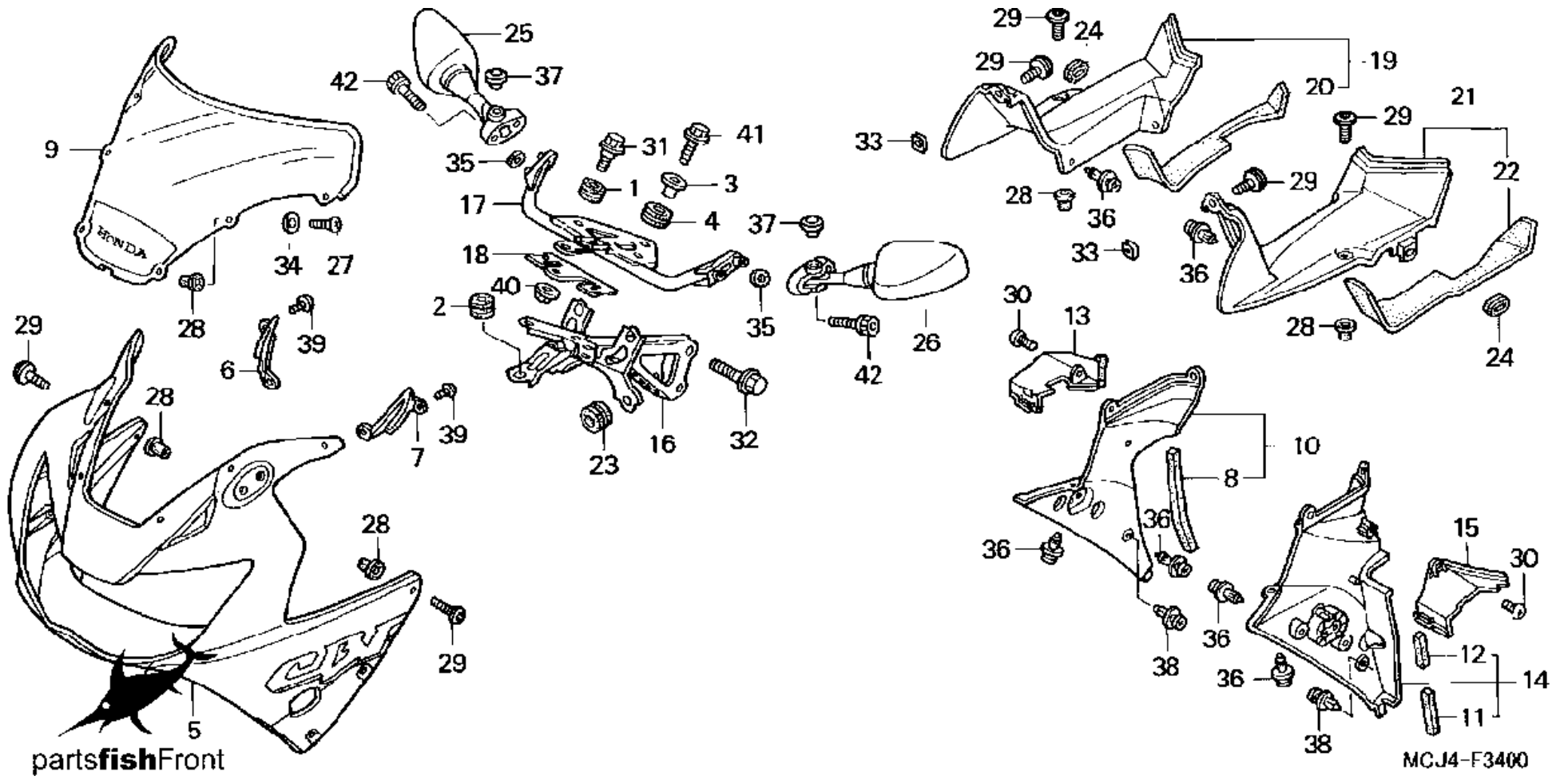
MCJ4-F2600



## 2000 HONDA CBR929RR - UPPER COWL

<b>CLICK BELOW FOR MORE INFO</b>		
No.	Part No.	Description
<a href="#">1</a>	<a href="#">11344-MB0-000</a>	<a href="#">GROMMET A, RR. COVER</a>
<a href="#">2</a>	<a href="#">17245-107-010</a>	<a href="#">RUBBER</a>
<a href="#">3</a>	<a href="#">61104-422-000</a>	<a href="#">COLLAR, SETTING</a>
<a href="#">4</a>	<a href="#">61304-415-000</a>	<a href="#">RUBBER</a>
<a href="#">5</a>	<a href="#">64100-MCJ-670ZC</a>	<a href="#">COWL (UPPER) (TYPE1)</a>
<a href="#">5</a>	<a href="#">64100-MCJ-670ZD</a>	<a href="#">COWL (UPPER) (TYPE2)</a>
<a href="#">6</a>	<a href="#">64215-MCJ-000</a>	<a href="#">GUIDE, R. AIR</a>
<a href="#">7</a>	<a href="#">64216-MCJ-000</a>	<a href="#">GUIDE, L. AIR</a>
<a href="#">8</a>	<a href="#">64231-MZ7-300</a>	<a href="#">SEAL, HEADLIGHT</a>
<a href="#">9</a>	<a href="#">64250-MCJ-000ZA</a>	<a href="#">WINDSCREEN SET</a>
<a href="#">10</a>	<a href="#">64325-MCJ-000ZA</a>	<a href="#">COWL, R. *NH1*</a>
<a href="#">11</a>	<a href="#">64326-MCJ-300</a>	<a href="#">SEAL A, MIDDLE COWL</a>
<a href="#">12</a>	<a href="#">64327-MCJ-300</a>	<a href="#">SEAL B, MIDDLE COWL</a>
<a href="#">13</a>	<a href="#">64335-MCJ-000</a>	<a href="#">GUARD, R. HEAT</a>
<a href="#">14</a>	<a href="#">64375-MCJ-000ZA</a>	<a href="#">COWL, L. *NH1*</a>
<a href="#">15</a>	<a href="#">64385-MCJ-000</a>	<a href="#">GUARD, L. HEAT</a>
<a href="#">16</a>	<a href="#">64501-MCJ-000</a>	<a href="#">STAY A, COWL (UPPER)</a>
<a href="#">17</a>	<a href="#">64502-MCJ-000</a>	<a href="#">STAY B, COWL (UPPER)</a>
<a href="#">18</a>	<a href="#">64505-MCJ-000</a>	<a href="#">HOLDER, ELECTRIC</a>
<a href="#">19</a>	<a href="#">64593-MCJ-670ZA</a>	<a href="#">PANEL SET *NH430R*</a>
<a href="#">20</a>	<a href="#">64594-MCJ-670</a>	<a href="#">MAT, R. PANEL</a>

<a href="#">21</a>	<a href="#">64598-MCJ-670ZA</a>	<a href="#">PANEL SET *NH430R*</a>
<a href="#">22</a>	<a href="#">64599-MCJ-670</a>	<a href="#">MAT, L. PANEL</a>
<a href="#">23</a>	<a href="#">80116-MR1-000</a>	<a href="#">RUBBER, RR.</a>
<a href="#">24</a>	<a href="#">83551-MA6-000</a>	<a href="#">GROMMET, SIDE COVER</a>
<a href="#">25</a>	<a href="#">88110-MCJ-003</a>	<a href="#">MIRROR ASSY., R. BAC</a>
<a href="#">26</a>	<a href="#">88120-MCJ-003</a>	<a href="#">MIRROR ASSY., L. BAC</a>
<a href="#">27</a>	<a href="#">90109-SB6-000</a>	<a href="#">SCREW, TRUSS (5X16)</a>
<a href="#">28</a>	<a href="#">90111-KW3-003</a>	<a href="#">NUT (5MM)</a>
<a href="#">29</a>	<a href="#">90113-MCJ-000</a>	<a href="#">SCREW, PAN (5X15)</a>
<a href="#">30</a>	<a href="#">90114-KW7-900</a>	<a href="#">SCREW, VISOR SETTING</a>
<a href="#">31</a>	<a href="#">90118-MCJ-000</a>	<a href="#">BOLT, FLANGE (6MM)</a>
<a href="#">32</a>	<a href="#">90120-MCJ-000</a>	<a href="#">BOLT, FLANGE (8X28)</a>
<a href="#">33</a>	<a href="#">90312-MT3-000</a>	<a href="#">NUT, CLIP (5MM)</a>
<a href="#">34</a>	<a href="#">90504-964-000</a>	<a href="#">WASHER, THRUST (5MM)</a>
<a href="#">35</a>	<a href="#">90540-SA7-000</a>	<a href="#">WASHER, BUMPER</a>
<a href="#">36</a>	<a href="#">90683-MBW-003</a>	<a href="#">CLIP, BODY</a>
<a href="#">37</a>	<a href="#">91456-371-770</a>	<a href="#">CAP, SOCKET BOLT</a>
<a href="#">38</a>	<a href="#">91549-MW0-790ZA</a>	<a href="#">CLIP *NH1*</a>
<a href="#">39</a>	<a href="#">93903-24380</a>	<a href="#">SCREW, TAP (4X12)</a>
<a href="#">40</a>	<a href="#">94050-06000</a>	<a href="#">NUT, FLANGE (6MM)</a>
<a href="#">41</a>	<a href="#">96001-06020-07</a>	<a href="#">BOLT, FLANGE (6X20)</a>
<a href="#">42</a>	<a href="#">96600-06014-07</a>	<a href="#">BOLT, SOCKET (6X14)</a>
<a href="#">100</a>	<a href="#">64205-166-610</a>	<a href="#">WASHER</a>

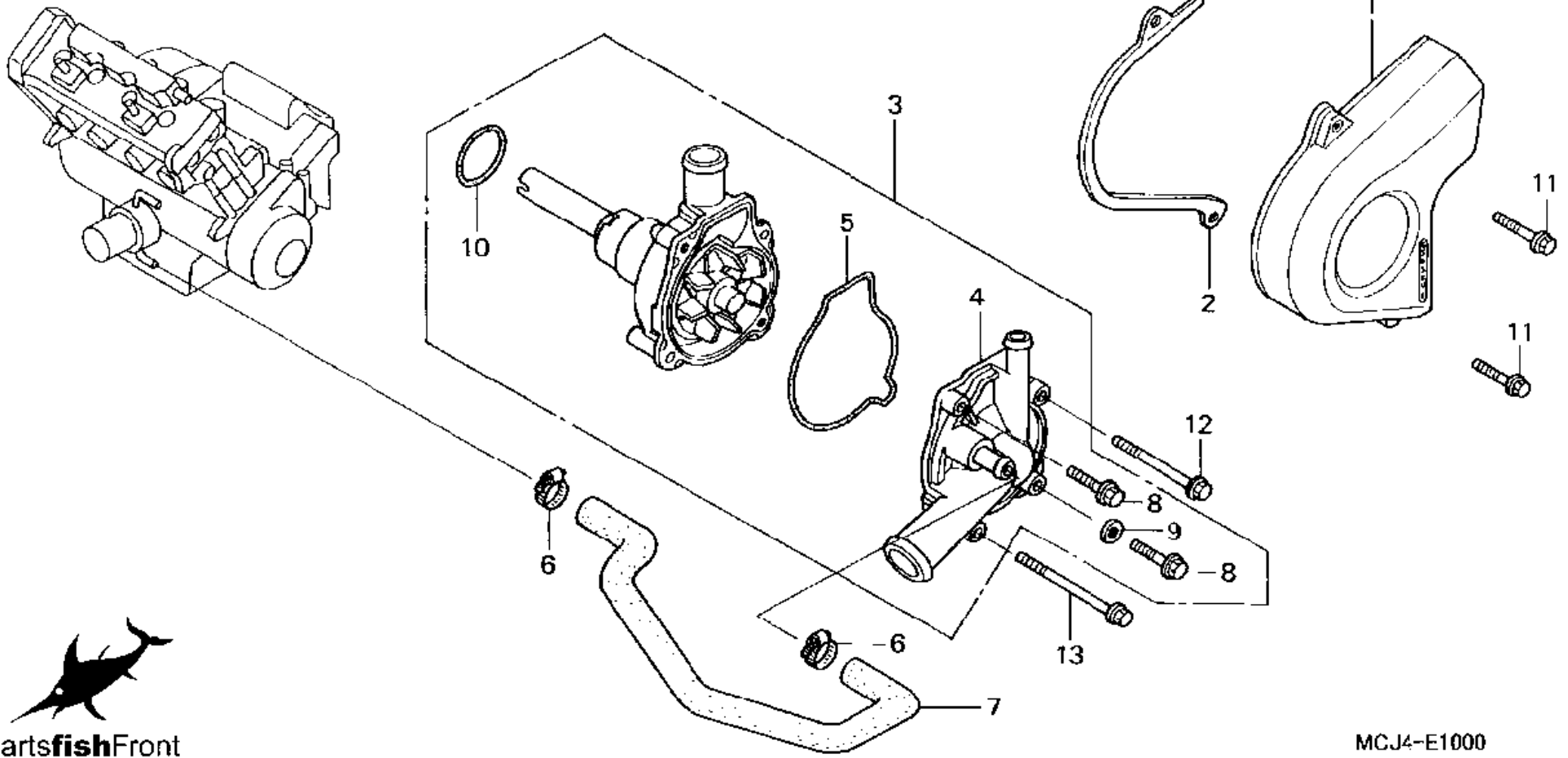


## 2000 HONDA CBR929RR

### WATER PUMP

#### CLICK BELOW FOR MORE INFO

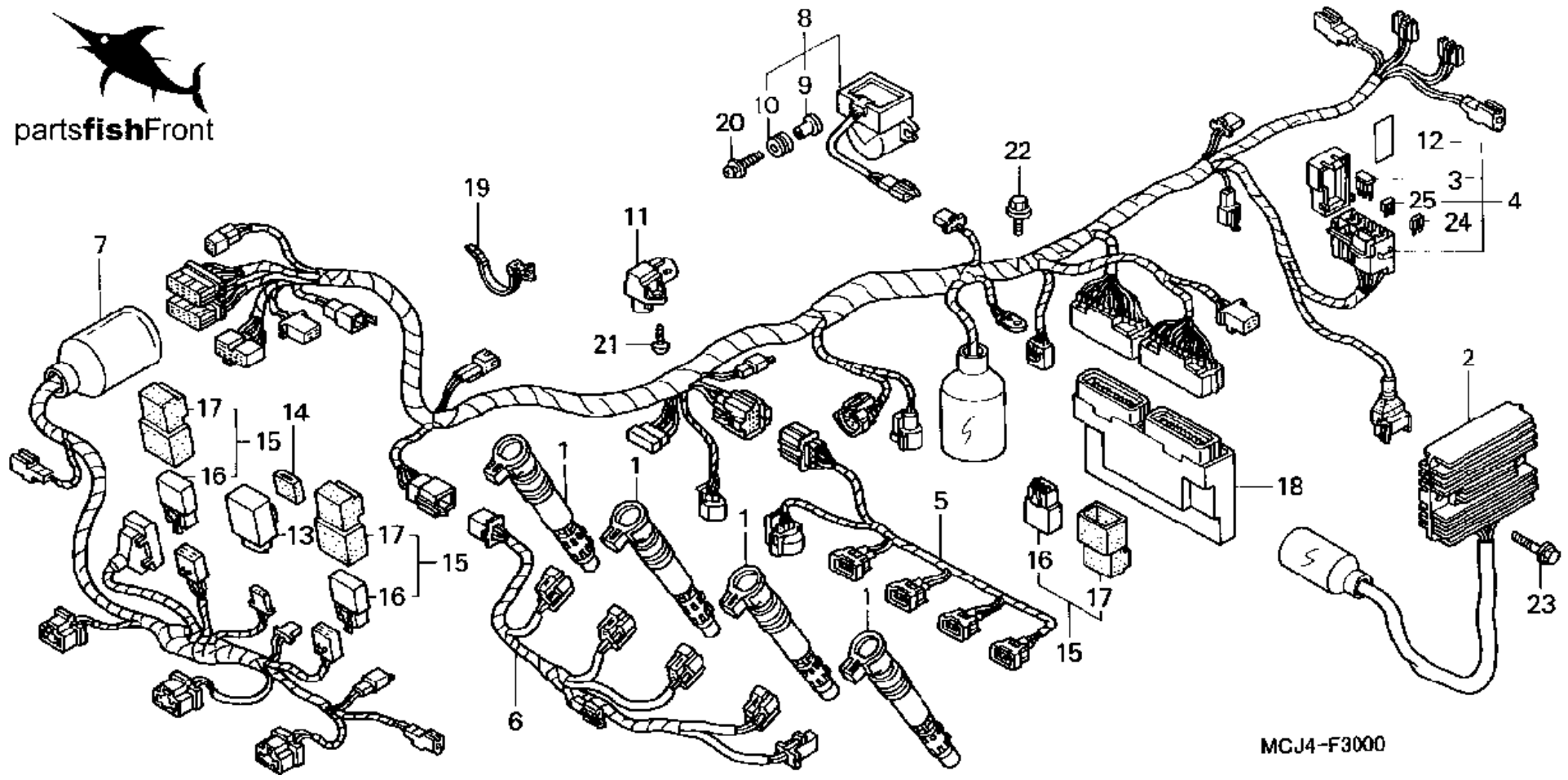
No.	Part No.	Description
<a href="#">1</a>	<a href="#">11350-MCJ-000</a>	<a href="#">COVER COMP., L. RR.</a>
<a href="#">2</a>	<a href="#">11355-MCJ-000</a>	<a href="#">PLATE, DRIVE CHAIN G</a>
<a href="#">3</a>	<a href="#">19200-MCJ-000</a>	<a href="#">WATER PUMP COMP.</a>
<a href="#">4</a>	<a href="#">19220-MCJ-000</a>	<a href="#">COVER COMP., WATER P</a>
<a href="#">5</a>	<a href="#">19226-MCJ-000</a>	<a href="#">GASKET, WATER PUMP</a>
<a href="#">6</a>	<a href="#">19505-KS6-700</a>	<a href="#">CLAMP, WATER HOSE</a>
<a href="#">7</a>	<a href="#">19526-MCJ-000</a>	<a href="#">HOSE B, WATER</a>
<a href="#">8</a>	<a href="#">90121-MV9-670</a>	<a href="#">BOLT, FLANGE (6X25)</a>
<a href="#">9</a>	<a href="#">90463-ML7-000</a>	<a href="#">WASHER (6.5MM)</a>
<a href="#">10</a>	<a href="#">91302-MB0-013</a>	<a href="#">O-RING (32.95X2.62)</a>
<a href="#">11</a>	<a href="#">96001-06025-07</a>	<a href="#">BOLT, FLANGE (6X25)</a>
<a href="#">12</a>	<a href="#">96001-06060-00</a>	<a href="#">BOLT, FLANGE (6X60)</a>
<a href="#">13</a>	<a href="#">96001-06070-00</a>	<a href="#">BOLT, FLANGE (6X70)</a>



## 2000 HONDA CBR929RR - WIRE HARNESS

### CLICK BELOW FOR MORE INFO

No.	Part No.	Description
<a href="#">1</a>	<a href="#">30700-MBW-611</a>	<a href="#">COIL, CAP &amp; IGNITION</a>
<a href="#">2</a>	<a href="#">31600-MCJ-641</a>	<a href="#">RECTIFIER ASSY., REG</a>
<a href="#">3</a>	<a href="#">31730-MAS-601</a>	<a href="#">DIODE, THREE-WAY</a>
<a href="#">4</a>	<a href="#">32100-MCJ-670</a>	<a href="#">WIRE HARNESS</a>
<a href="#">5</a>	<a href="#">32102-MCJ-000</a>	<a href="#">SUB-WIRE, INJECTOR</a>
<a href="#">6</a>	<a href="#">32103-MCJ-000</a>	<a href="#">SUB-HARNESS</a>
<a href="#">7</a>	<a href="#">32105-MCJ-670</a>	<a href="#">SUB-HARNESS, FR.</a>
<a href="#">8</a>	<a href="#">35160-MBG-003</a>	<a href="#">SENSOR ASSY., KILL</a>
<a href="#">9</a>	<a href="#">35162-MN5-003</a>	<a href="#">COLLAR</a>
<a href="#">10</a>	<a href="#">35163-MN5-003</a>	<a href="#">GROMMET</a>
<a href="#">11</a>	<a href="#">37830-MCF-003</a>	<a href="#">SENSOR, MAP</a>
<a href="#">12</a>	<a href="#">38215-MCJ-640</a>	<a href="#">LABEL, FUSE</a>
<a href="#">13</a>	<a href="#">38301-KK9-952</a>	<a href="#">RELAY, TURN SIGNAL</a>
<a href="#">14</a>	<a href="#">38306-KK4-000</a>	<a href="#">SUSPENSION</a>
<a href="#">15</a>	<a href="#">38500-GC7-612</a>	<a href="#">RELAY ASSY., STARTER</a>
<a href="#">16</a>	<a href="#">38501-GN2-014</a>	<a href="#">RELAY COMP., STARTER</a>
<a href="#">17</a>	<a href="#">38506-GC7-611</a>	<a href="#">SUSPENSION</a>
<a href="#">18</a>	<a href="#">38770-MCJ-671</a>	<a href="#">PGM-FI UNIT</a>
<a href="#">19</a>	<a href="#">90672-SB2-003</a>	<a href="#">STRAP, CABLE (105MM)</a>
<a href="#">20</a>	<a href="#">93891-04025-00</a>	<a href="#">SCREW-WASHER (4X25)</a>
<a href="#">21</a>	<a href="#">93913-24220</a>	<a href="#">SCREW, TAP (4X12)</a>
<a href="#">22</a>	<a href="#">95701-06016-08</a>	<a href="#">BOLT, FLANGE (6X16)</a>
<a href="#">23</a>	<a href="#">96001-06025-00</a>	<a href="#">BOLT, FLANGE (6X25)</a>
<a href="#">24</a>	<a href="#">98200-41000</a>	<a href="#">FUSE F (10A)</a>
<a href="#">25</a>	<a href="#">98200-42000</a>	<a href="#">FUSE F (20A)</a>



MCJ4-F3000