



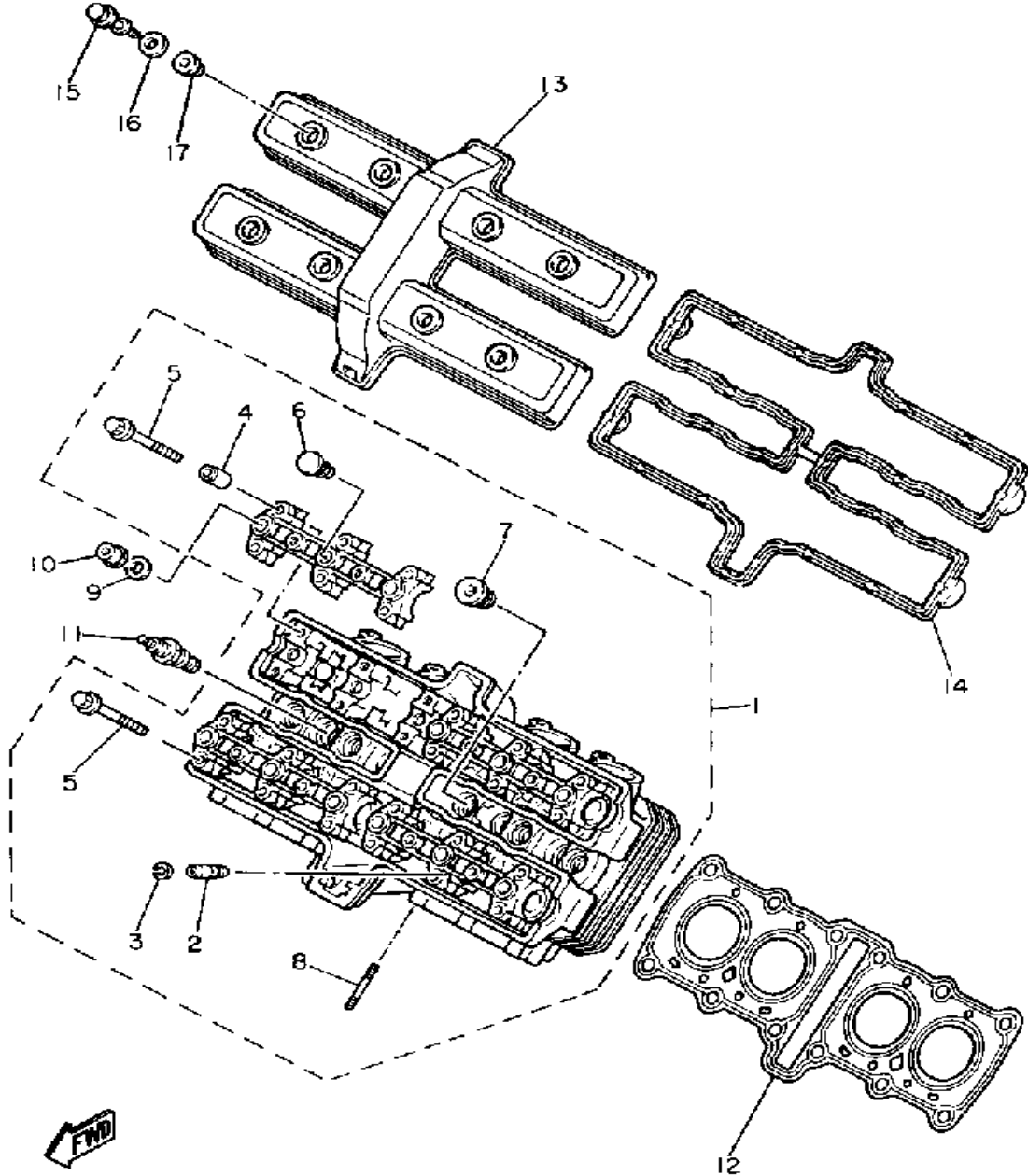
YAMAHA

GENUINE

PARTS CATALOGUE

MOTORCYCLE

CYLINDER HEAD

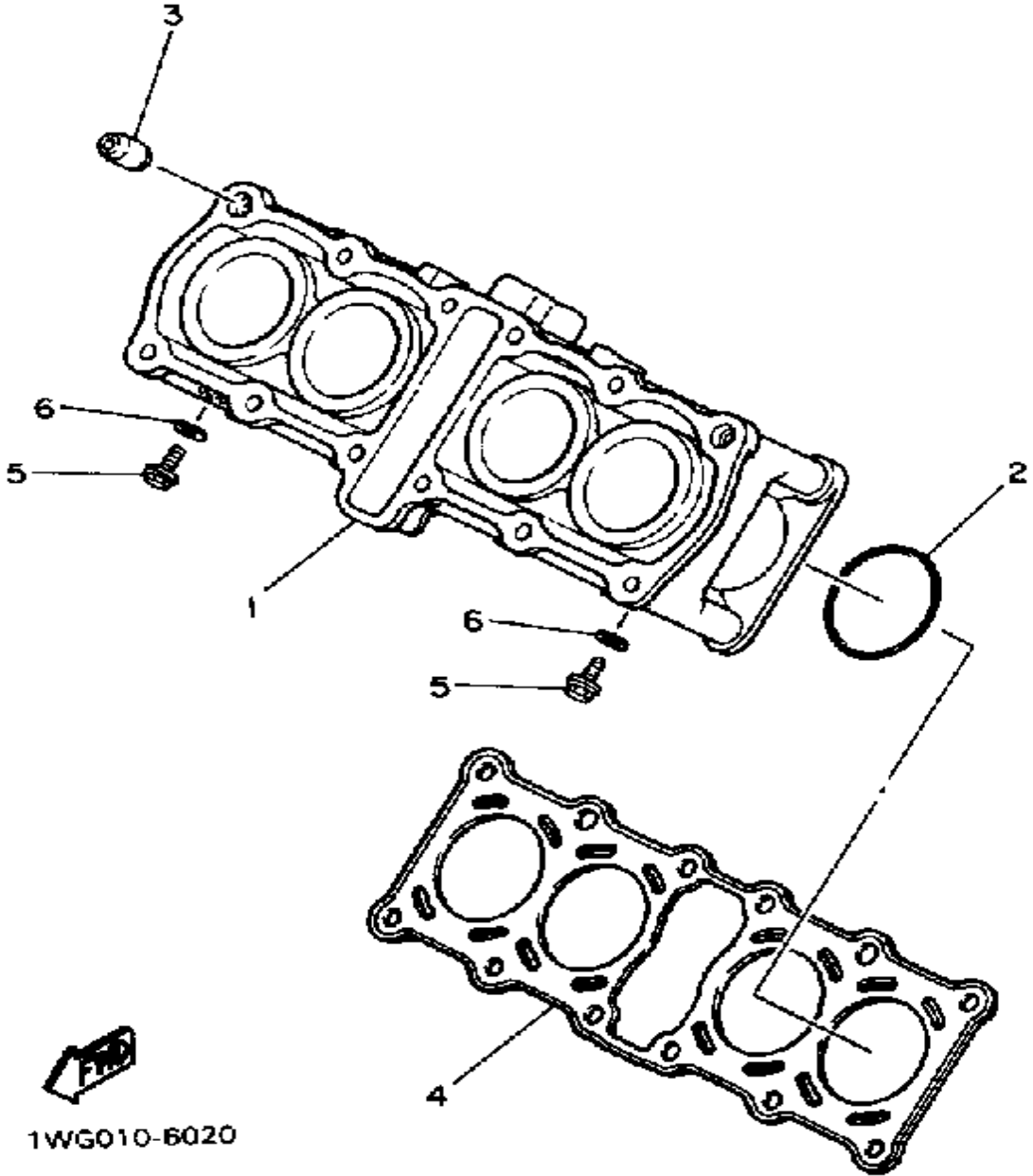


Ref. No.	Part Number	Description	Qty	Remarks
1	1WG-11101-00-00	CYLINDER HEAD ASSEMBLY	1	
2	1WG-11133-10-00	. GUIDE, INTAKE VALVE	16	
3	93440-10153-00	. CIRCLIP	16	
4	99510-08016-00	. PIN, DOWEL	12	
5	90105-06384-00	. BOLT, WASHER BASED	24	
6	90338-08174-00	. PLUG	12	
7	90340-12112-00	. PLUG, STRAIGHT SCREW	6	
8	90116-06437-00	. BOLT, STUD	8	
9	90201-087K2-00	WASHER, PLATE	12	
10	90179-08530-00	NUT	12	
11	NGK-CR8E0-00-00	PLUG, SPARK (NGK-R CR8E)	4	
12	1WG-11181-00-00	GASKET, CYLINDER HEAD 1	1	
13	1WG-11191-00-00	COVER, CYLINDER.HEAD 1	1	
14	1WG-11193-00-00	GASKET, HEAD COVER 1	1	
15	90109-064F0-00	BOLT	8	
16	90209-11262-00	WASHER	8	
17	2GH-1111G-00-00	RUBBER, MOUNT 1	8	



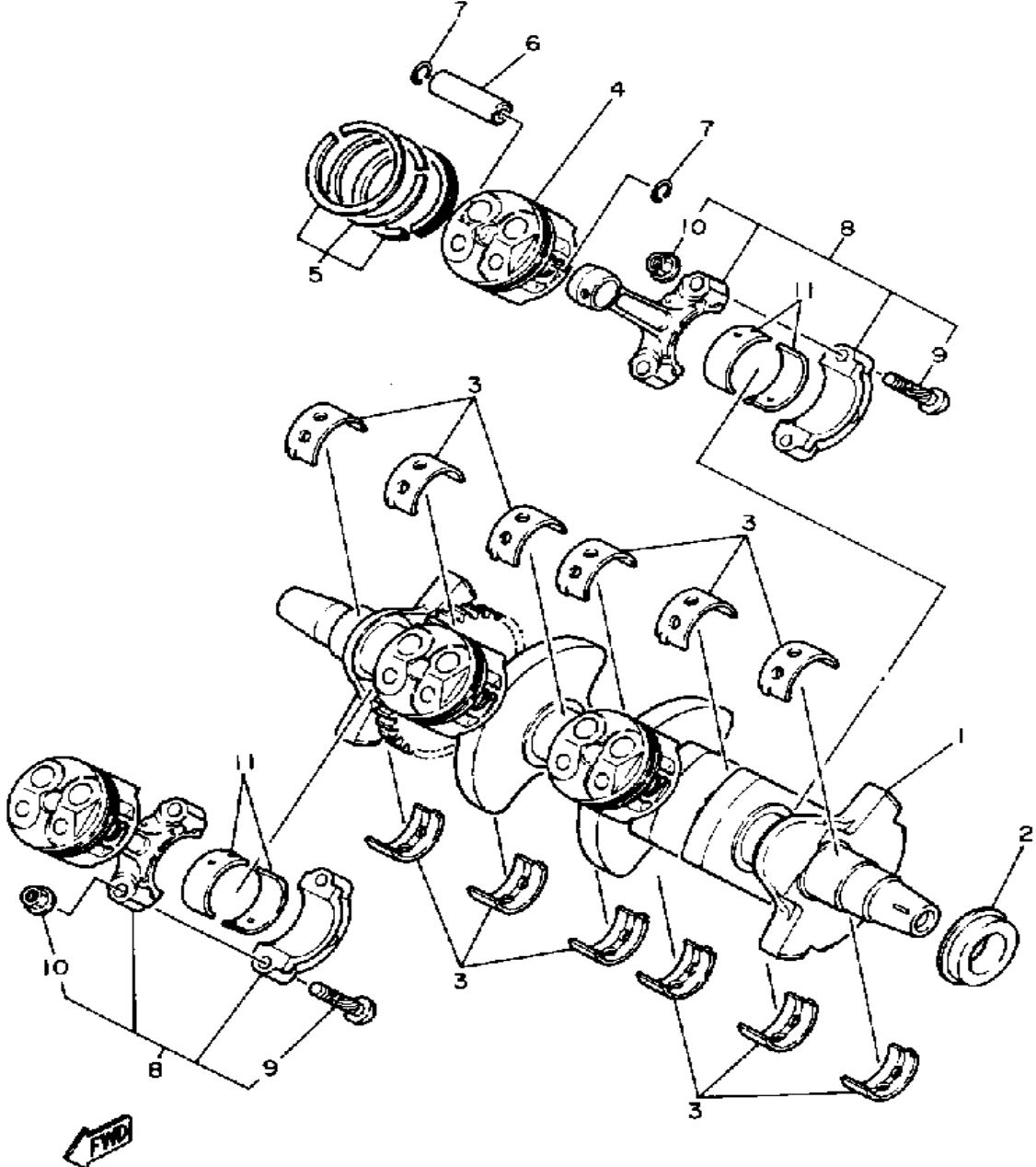
3BF1110-B010

CYLINDER



Ref. No.	Part Number	Description	Qty	Remarks
1	1WG-11310-00-00	CYLINDER	1	
2	93210-60737-00	O-RING	4	
3	99510-12016-00	PIN, DOWEL	2	
4	3TJ-11351-00-00	GASKET, CYLINDER	1	
5	90153-06045-00	SCREW, HEXAGON	2	
6	90430-06014-00	GASKET	2	

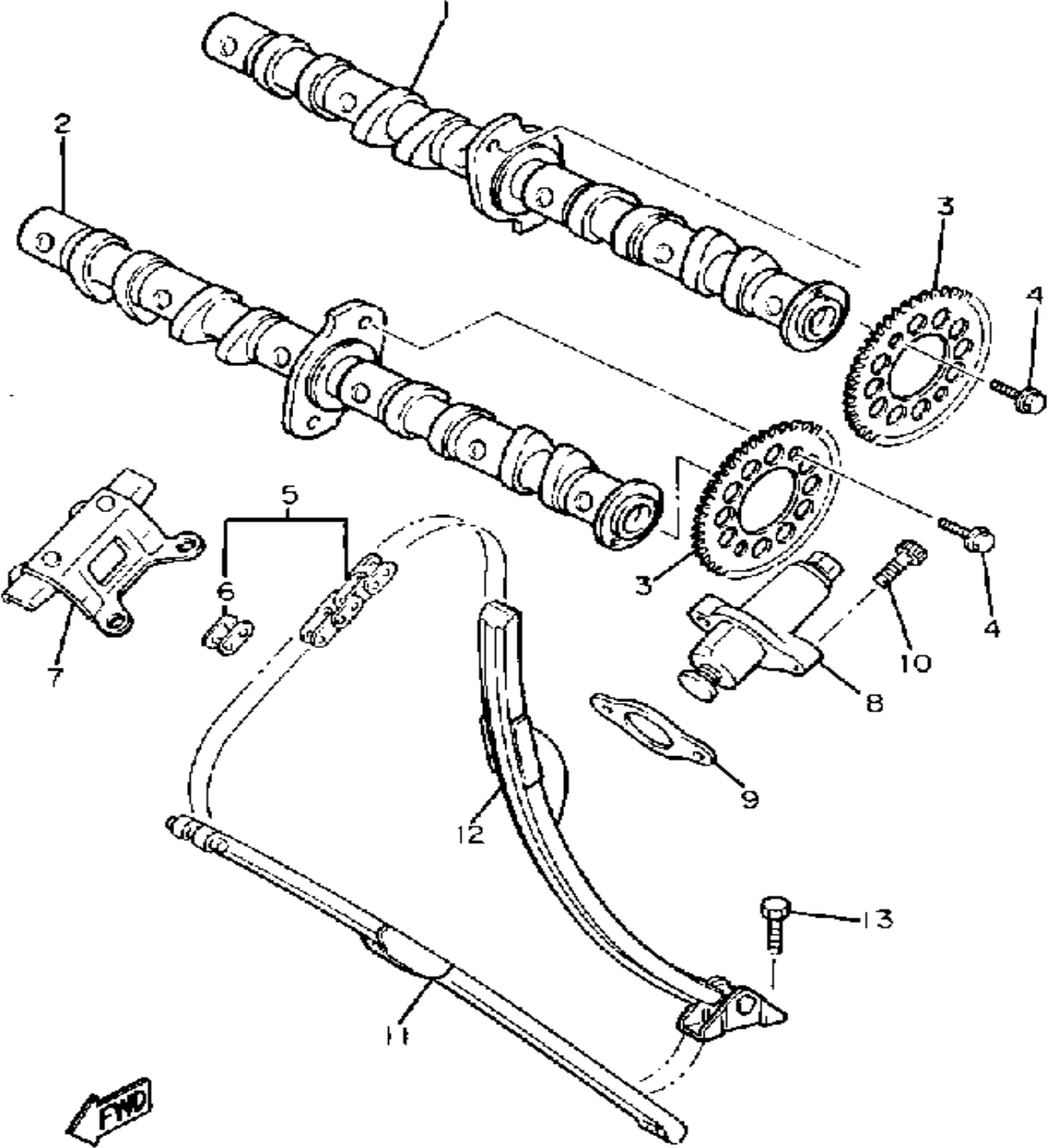
CRANKSHAFT - PISTON



Ref. No.	Part Number	Description	Qty	Remarks
1	1WG-11411-01-00	CRANKSHAFT	1	
2	93101-26156-00	OIL SEAL	1	
3	1WG-11416-00-00	PLANE BEARING, CRANKSHAFT 1	12	UR BLUE
	1WG-11416-10-00	PLANE BEARING, CRANKSHAFT 1	12	UR BLACK
	1WG-11416-20-00	PLANE BEARING, CRANKSHAFT 1	12	UR BROWN
	1WG-11416-30-00	PLANE BEARING, CRANKSHAFT 1	12	UR GREEN
	1WG-11416-40-00	PLANE BEARING, CRANKSHAFT 1	12	UR YELLOW
4	1WG-11631-01-00	PISTON STD	4	
	1WG-11636-01-00	PISTON 2 O/S 0.0	4	ALT. PART
	1WG-11638-01-00	PISTON 4 O/S 1.0	4	ALT. PART
5	1WG-11610-00-00	PISTON RING SET	4	
	1WG-11610-20-00	PISTON RING SET (2ND O/S) ..	4	ALT. PART
	1WG-11610-40-00	PISTON RING SET (4TH O/S) ..	4	ALT. PART
6	1WG-11633-01-00	PIN, PISTON	4	
7	93450-16068-00	CIRCLIP	8	
8	1WG-11650-00-00	CONNECTING ROD ASSEMBLY	4	
9	1WG-11654-00-00	. BOLT, CONNECTING ROD ..	2	
10	90179-07531-00	. NUT	2	
11	1WG-11656-00-00	PLANE BEARING, CONNECTING ROD	8	UR BLUE
	1WG-11656-10-00	PLANE BEARING, CONNECTING ROD	8	UR BLACK
	1WG-11656-20-00	PLANE BEARING, CONNECTING ROD	8	UR BROWN
	1WG-11656-30-00	PLANE BEARING, CONNECTING ROD	8	UR GREEN

1WG010-6030

CAMSHAFT - CHAIN

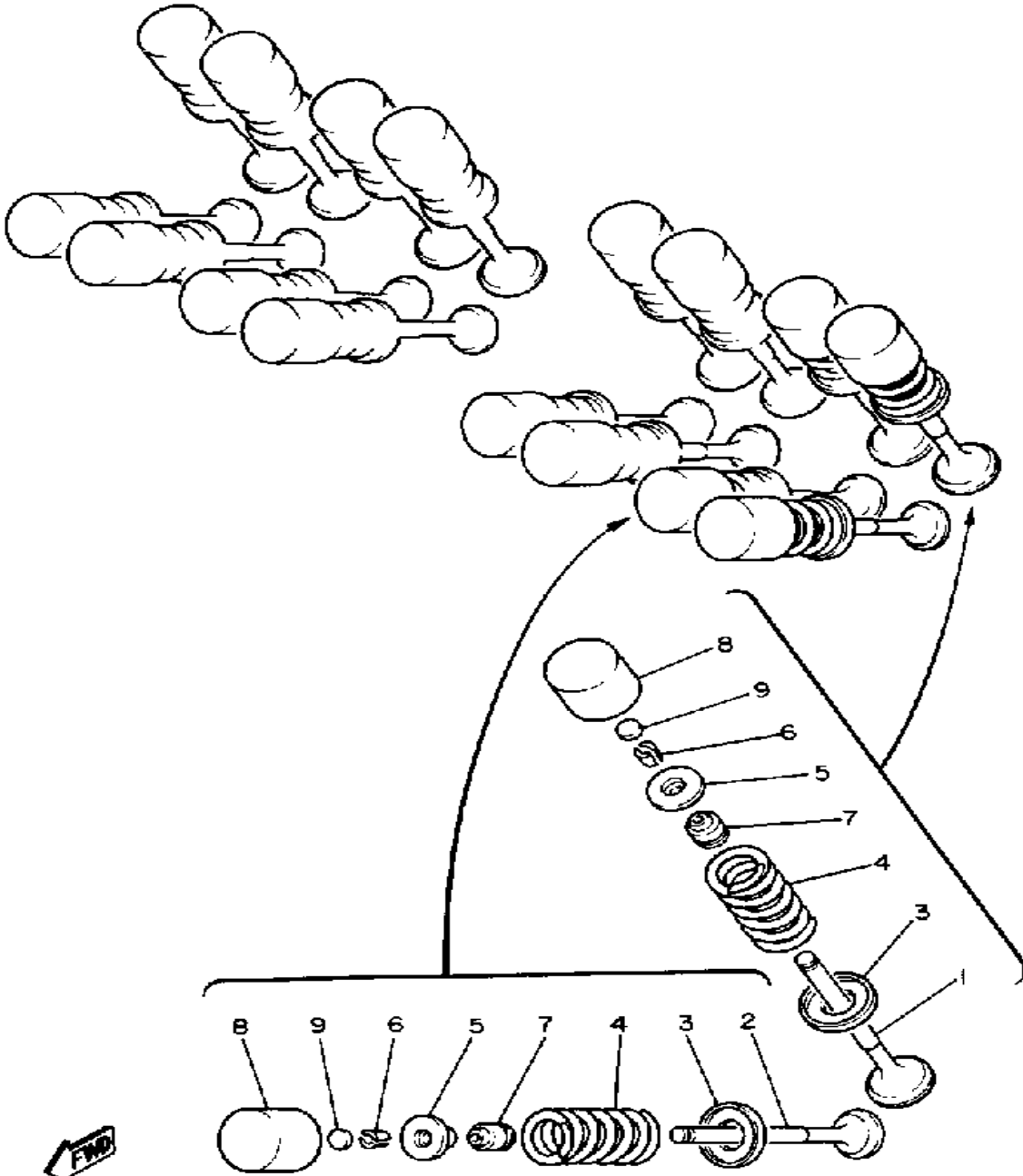


Ref. No.	Part Number	Description	Qty	Remarks
1	3BF-12171-00-00	CAMSHAFT 1	1	
2	3BF-12181-00-00	CAMSHAFT 2	1	
3	1WG-12176-00-00	SPROCKET, CAM CHAIN	2	
4	90105-07385-00	BOLT, WASHER BASED	4	
5	94590-95112-00	CHAIN BF04MA	1	
6	94690-95021-00	. MASTER LINK	1	
7	1WG-12241-00-00	GUIDE, STOPPER 2	1	
8	99999-01903-00	TENSRASSEMBLY CAM CLTCAM CHAIN	1	
9	4BE-12213-00-00	GASKET, TENSIONER CASE ..	1	
10	91316-06025-00	BOLT	2	
11	1WG-12251-00-00	DAMPER, CHAIN 1	1	
12	1WG-12252-00-00	DAMPER, CHAIN 2	1	
13	90109-065A8-00	BOLT	2	



3BF1110-8050

VALVE

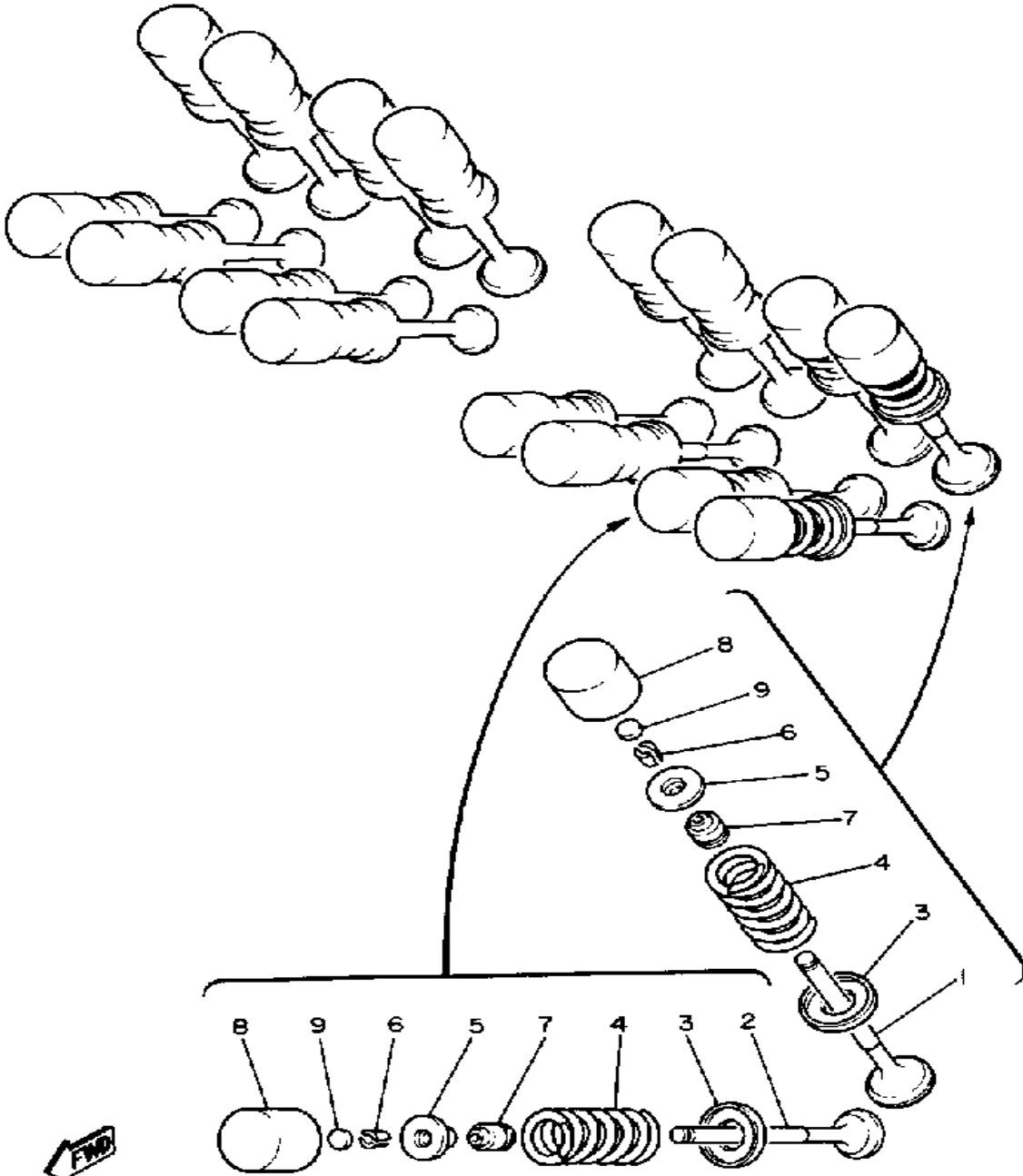


1WG010-8040

Ref. No.	Part Number	Description	Qty	Remarks
1	1WG-12111-00-00	VALVE, INTAKE	8	
2	1WG-12121-00-00	VALVE, EXHAUST	8	
3	1WG-12116-00-00	SEAT, VALVE SPRING	16	
4	1WG-12113-01-00	SPRING, VALVE INNER	16	
5	1WG-12117-00-00	RETAINER, VALVE SPRING ..	16	
6	1WG-12118-00-00	COTTER, VALVE	32	
7	1WG-12119-00-00	SEAL, VALVE STEM	16	
8	1WG-12153-09-00	LIFTER, VALVE (O/S)	16	UR GREEN
	1WG-12153-21-00	LIFTER, VALVE	16	UR BLUE
	1WG-12153-30-00	LIFTER, VALVE (1WG-12153-31-00)	16	UR RED
9	1HX-12168-00-00	PAD, ADJUSTING 2 (1.20)	16	UR
	1HX-12168-20-00	PAD, ADJUSTING 2 (1.25)	16	UR
	1HX-12168-40-00	PAD, ADJUSTING 2 (1.30)	16	UR
	1HX-12168-60-00	PAD, ADJUSTING 2 (1.35)	16	UR
	1HX-12168-80-00	PAD, ADJUSTING 2 (1.40)	16	UR
	1HX-12168-A0-00	PAD, ADJUSTING 2 (1.45)	16	UR
	1HX-12168-F0-00	PAD, ADJUSTING 2 (1.50)	16	UR
	1HX-12168-H1-00	PAD, ADJUSTING 2 (1.55)	16	UR
	1HX-12168-K1-00	PAD, ADJUSTING 2 (1.60)	16	UR
	1HX-12168-M1-00	PAD, ADJUSTING 2 (1.65)	16	UR
	1HX-12168-R1-00	PAD, ADJUSTING 2 (1.70)	16	UR
	1HX-12168-U1-00	PAD, ADJUSTING 2 (1.75)	16	UR
	1HX-12168-W1-00	PAD, ADJUSTING 2 (1.80)	16	UR
	1HX-12168-Y1-00	PAD, ADJUSTING 2 (1.85)	16	UR
	1HX-12169-11-00	PAD, ADJUSTING 2 (1.90)	16	UR
	1HX-12169-31-00	PAD, ADJUSTING 2 (1.95)	16	UR
	1HX-12169-50-00	PAD, ADJUSTING 2 (2.00)	16	UR
	1HX-12169-70-00	PAD, ADJUSTING 2 (2.05)	16	UR

CONTINUED ON NEXT FRAME ►

VALVE

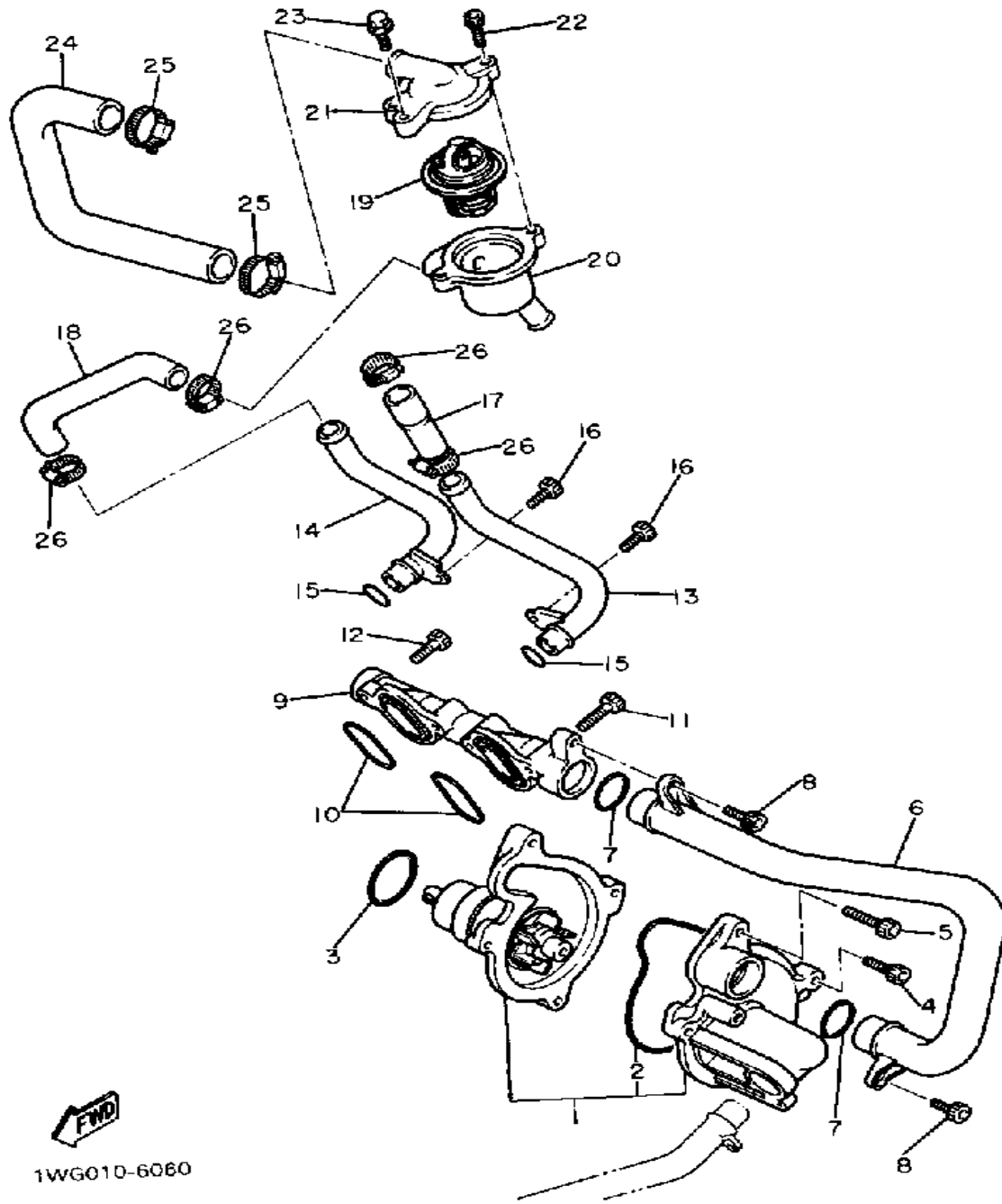


Ref. No.	Part Number	Description	Qty	Remarks
9	1HX-12169-90-00	PAD, ADJUSTING 2 (2.10) 16	UR
	1HX-12169-E0-00	PAD, ADJUSTING 2 (2.15) 16	UR
	1HX-12169-G0-00	PAD, ADJUSTING 2 (2.20) 16	UR
	1HX-12169-J0-00	PAD, ADJUSTING 2 (2.25) 16	UR
	1HX-12169-L0-00	PAD, ADJUSTING 2 (2.30) 16	UR
	1HX-12169-N0-00	PAD, ADJUSTING 2 (2.35) 16	UR
	1HX-12169-T0-00	PAD, ADJUSTING 2 (2.40) 16	UR



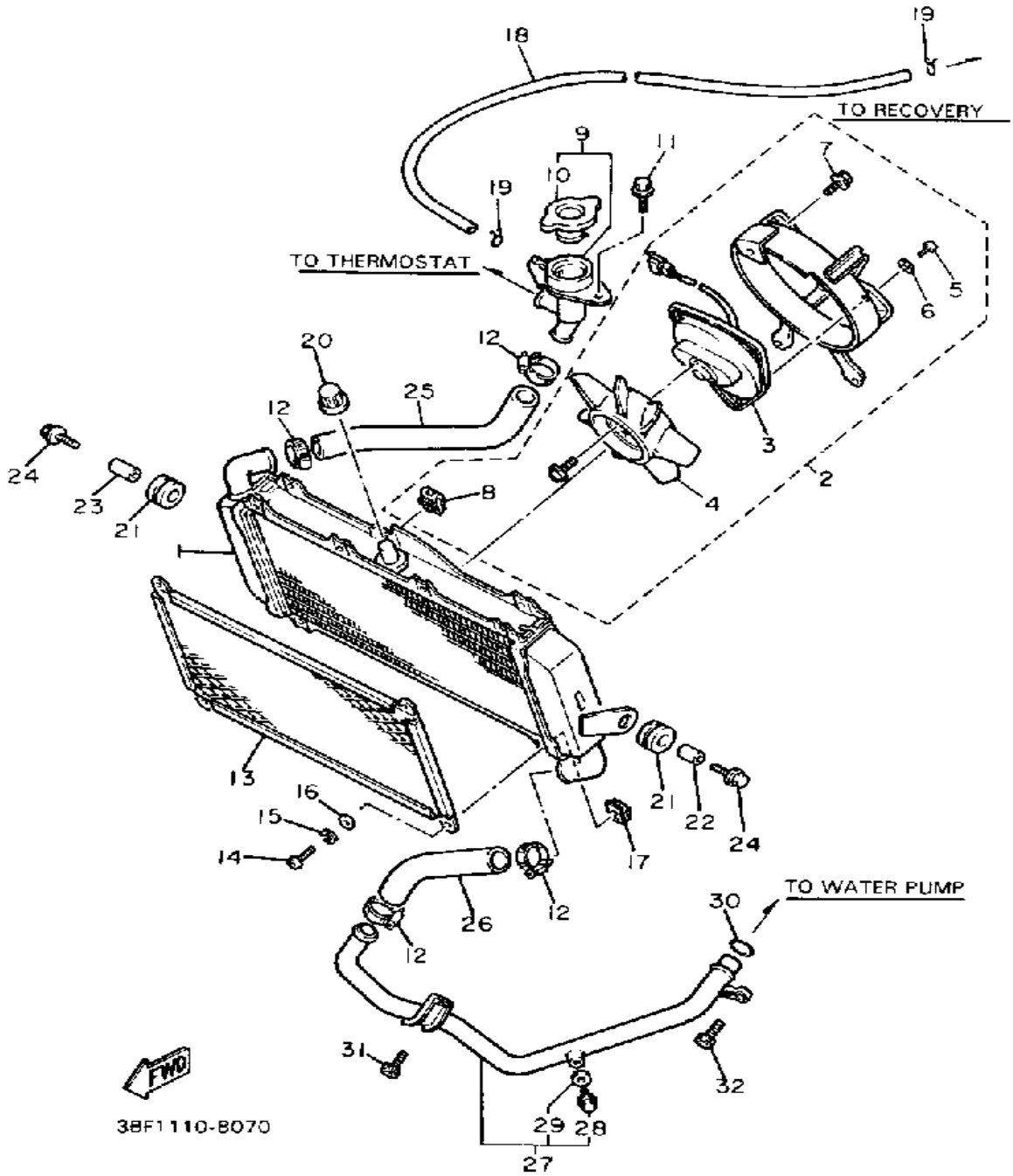
1WG010-8040

WATER PUMP



Ref. No.	Part Number	Description	Qty	Remarks
1	1WG-12420-00-00	WATER PUMP ASSEMBLY	1	
2	1WG-12439-00-00	O-RING	1	
3	93210-33133-00	O-RING	1	
4	91316-06025-00	BOLT	2	
5	91316-06035-00	BOLT	2	
6	1WG-12481-00-00	PIPE 1	1	
7	93210-21190-00	O-RING	2	
8	91316-06012-00	BOLT, SOCKET HEAD	2	
9	1WG-12446-01-00	JOINT	1	
10	93210-17746-00	O-RING	2	
11	91316-06040-00	BOLT, SOCKET HEAD	3	
12	91316-06025-00	BOLT	1	
13	1WG-12482-00-00	PIPE 2	1	
14	1WG-12483-00-00	PIPE 3	1	
15	93210-15566-00	O-RING	2	
16	91316-06012-00	BOLT, SOCKET HEAD	2	
17	1WG-12576-00-00	HOSE 1	1	
18	1WG-12577-00-00	HOSE 2	1	
19	46X-12410-00-00	THERMOSTAT ASSEMBLY	1	
20	1WG-12417-00-00	HOUSING, THERMOSTAT	1	
21	1WG-12413-01-00	COVER, THERMOSTAT	1	
22	91316-06020-00	BOLT, SOCKET HEAD	2	
23	95826-06020-00	BOLT, flange (95806-06020-00)	1	
24	1WG-12579-00-00	HOSE, 4	1	
25	90450-32051-00	HOSE CLAMP ASSEMBLY	2	
26	90450-28014-00	HOSE CLAMP ASSEMBLY	4	

RADIATOR - HOSE

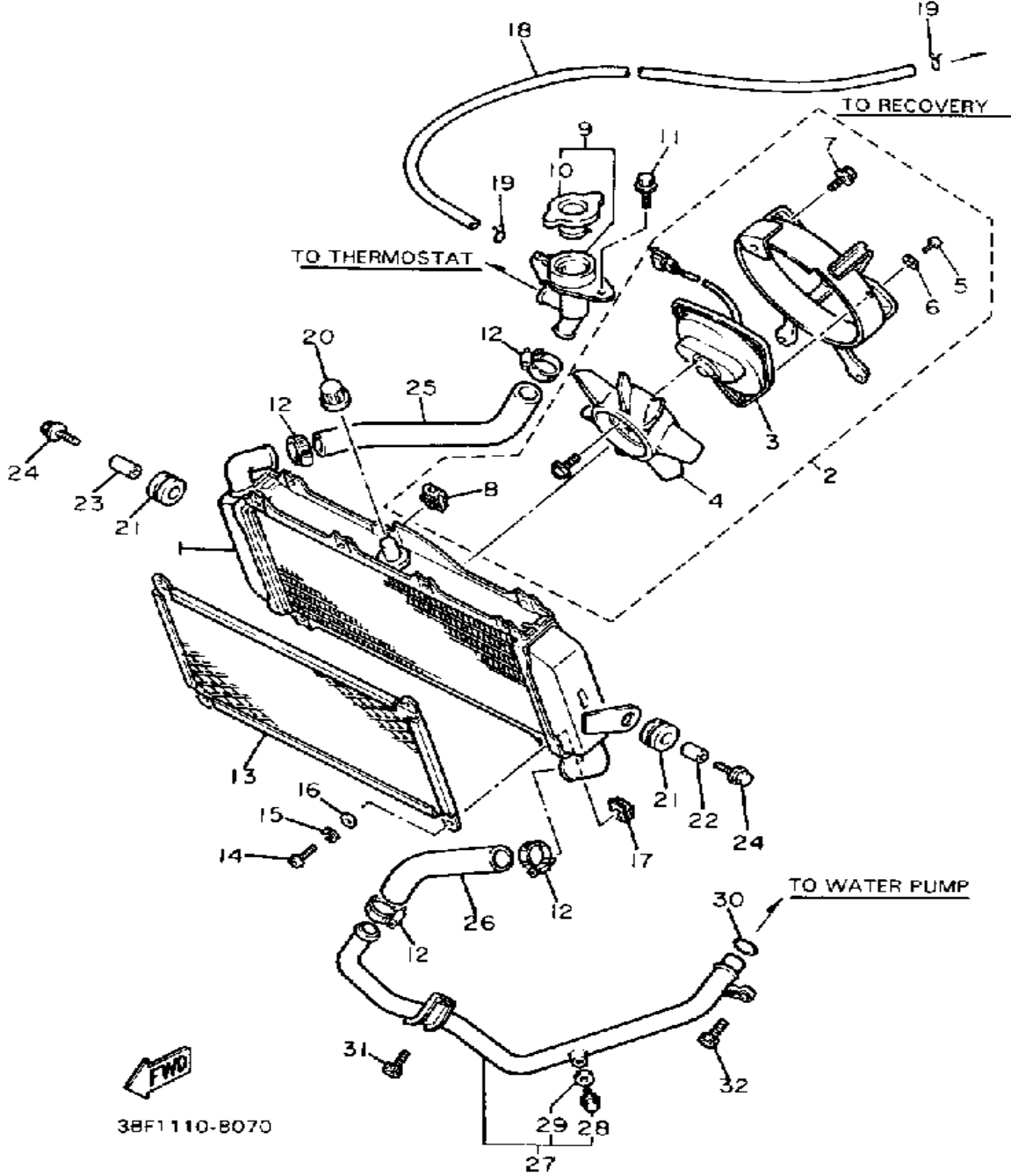


38F1110-B070

Ref. No.	Part Number	Description	Qty	Remarks
1	1WG-12461-00-00	RADIATOR ASSEMBLY	1	
2	1WG-12405-00-00	BLOWER ASSEMBLY	1	
3	1AA-12630-00-00	. MOTOR ASSEMBLY	1	
4	1UF-12611-00-00	. FAN	1	
5	98580-05010-00	. SCREW, PAN HEAD	3	
6	92901-05600-00	. WASHER, PLATE	3	
7	90119-06044-00	. BOLT, WITH WASHER	3	
8	1AA-12535-00-00	. PLATE	3	
9	2TK-12590-00-00	CONDUCTION ASSEMBLY	1	
10	22W-12462-00-00	. CAP, RADIATOR	1	
11	95816-06016-00	BOLT, FLANGE	2	
12	90450-32051-00	HOSE CLAMP ASSEMBLY	4	
13	46X-12498-00-00	PROTECTOR	1	
14	98506-05010-00	SCREW, PAN HEAD	4	
15	92906-05100-00	WASHER, SPRING	4	
16	92906-05600-00	WASHER, PLATE	4	
17	90183-05024-00	NUT, SPRING	4	
18	90445-096E8-00	HOSE	1	
19	90467-08003-00	CLIP	2	
20	90338-20188-00	PLUG	1	
21	90480-15483-00	GROMMET	2	
22	90387-07390-00	COLLAR	1	
23	90387-074W0-00	COLLAR	1	
24	95816-06025-00	BOLT, FLANGE	2	
25	1WG-12578-00-00	HOSE 3	1	
26	1WG-12588-00-00	HOSE 5	1	
27	1WG-12484-00-00	PIPE 4	1	
28	90153-06045-00	. SCREW, HEXAGON	1	
29	90430-06014-00	. GASKET	1	

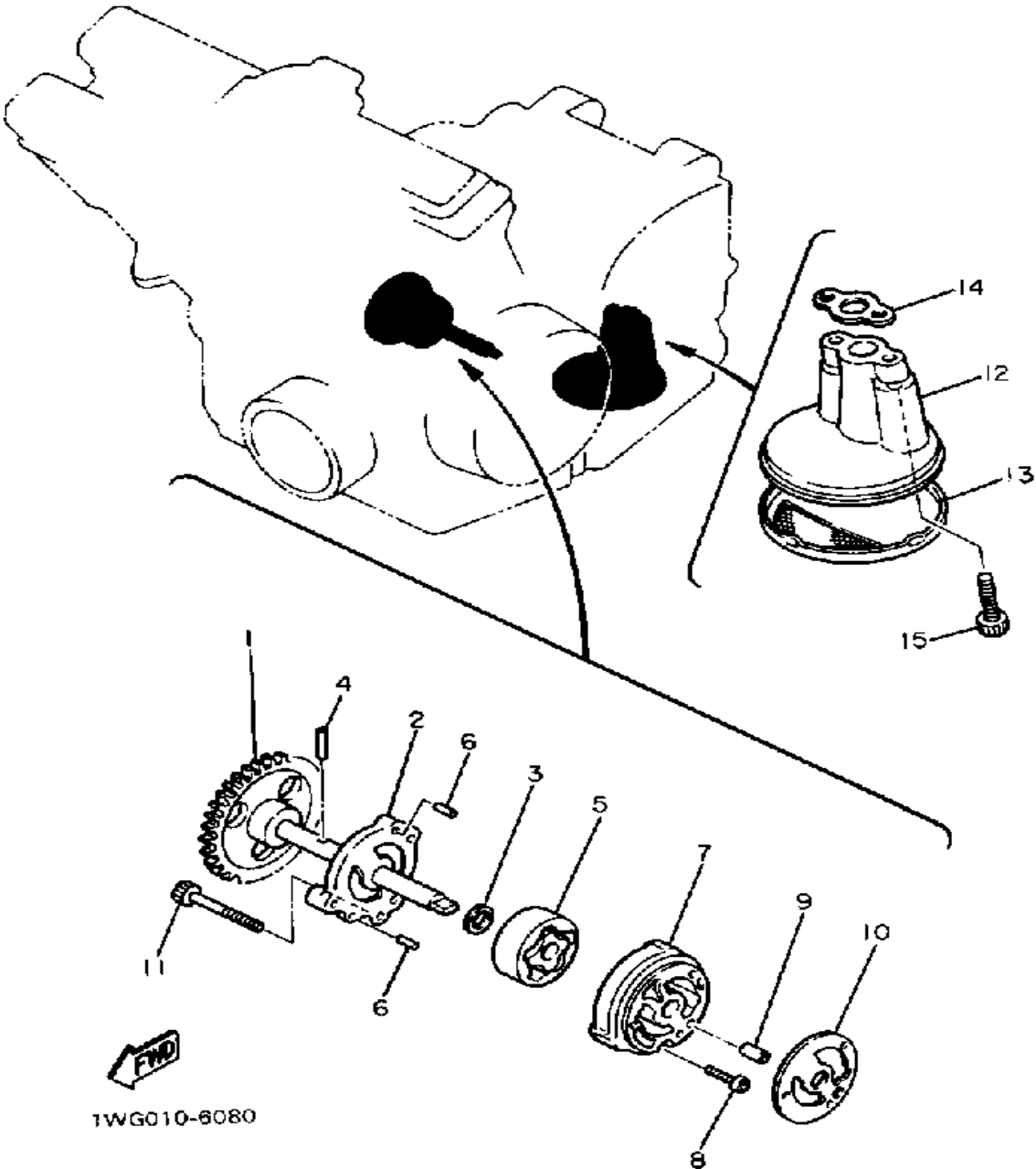
CONTINUED ON NEXT FRAME ➤

RADIATOR - HOSE



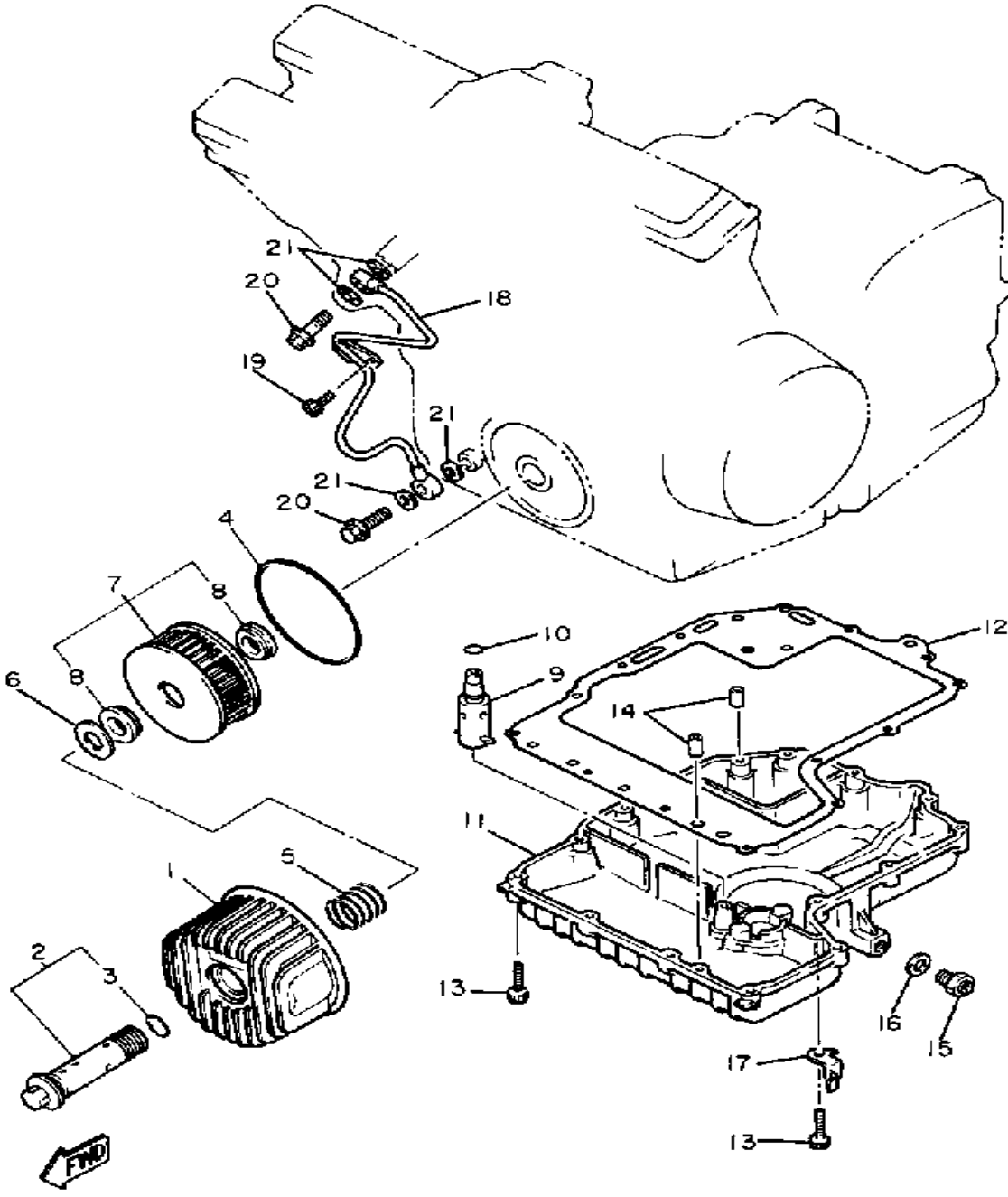
Ref. No.	Part Number	Description	Qty	Remarks
30	93210-21190-00	O-RING	1	
31	91316-06012-00	BOLT, SOCKET HEAD	1	
32	90110-06142-00	BOLT, HEXAGON SOCKET HEAD	1	

OIL PUMP



Ref. No.	Part Number	Description	Qty	Remarks
1	1WG-13330-01-00	PUMP SHAFT ASSEMBLY	1	
2	1WG-13316-00-00	COVER, PUMP	1	
3	90201-113K2-00	WASHER, PLATE	1	
4	93603-17070-00	PIN, DOWEL	1	
5	1WG-13310-00-00	ROTOR ASSEMBLY 1	1	
6	93603-09106-00	PIN, DOWEL	2	
7	1WG-13336-00-00	HOUSING, ROTOR	1	
8	97801-06020-00	SCREW, PAN HEAD	1	
9	99510-08012-00	PIN, DOWEL	1	
10	1WG-13329-00-00	GASKET, PUMP COVER	1	
11	90110-06130-00	BOLT, HEXAGON SOCKET HEAD	3	
12	1WG-13412-00-00	HOUSING, STRAINER	1	
13	4H7-13411-02-00	STRAINER, OIL	1	
14	3YX-13415-00-00	SEAL, OIL STRAINER	1	
15	90110-06099-00	BOLT, HEX SKT HEADSOCKET HEAD	2	

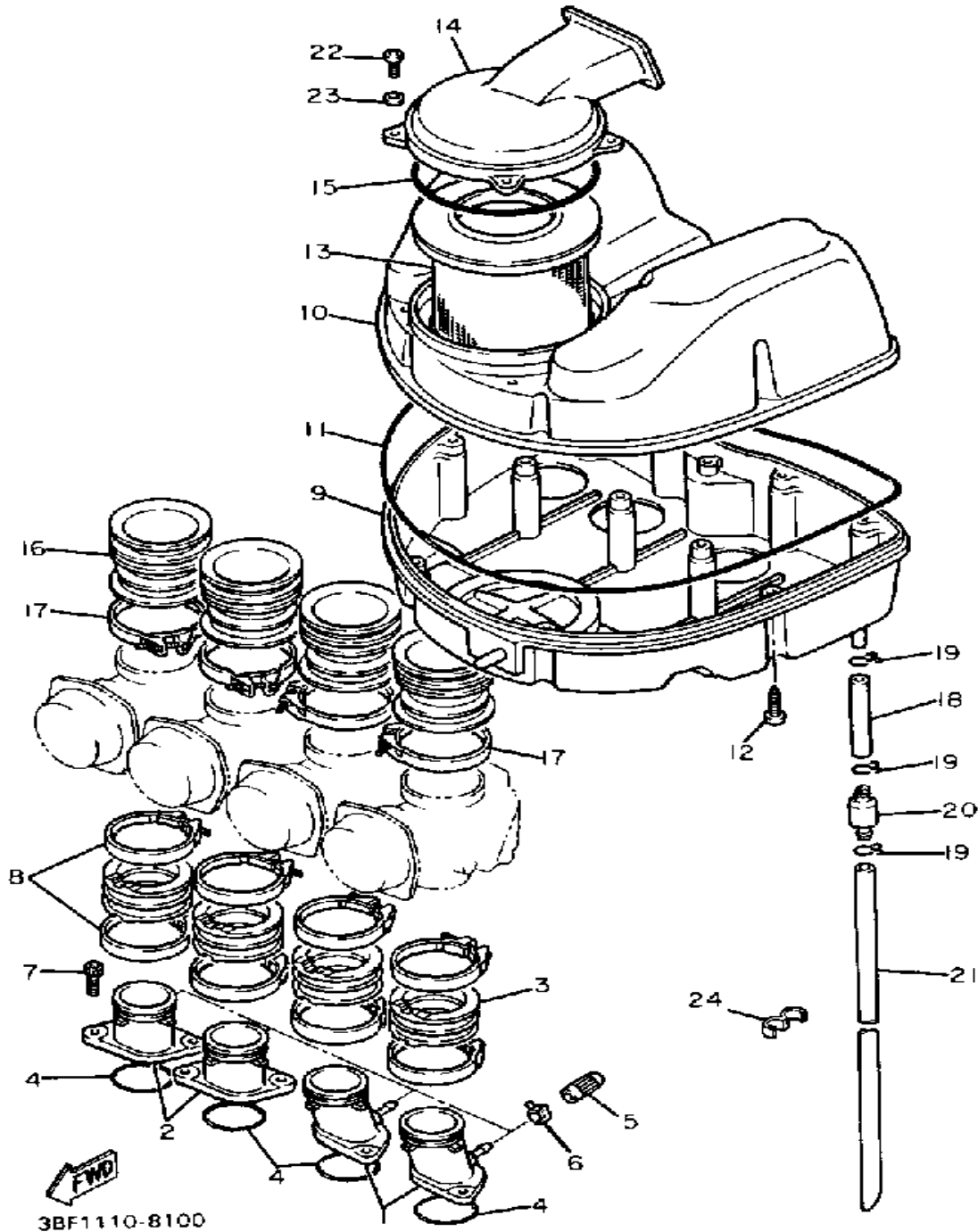
OIL FILTER



1WG010-6090

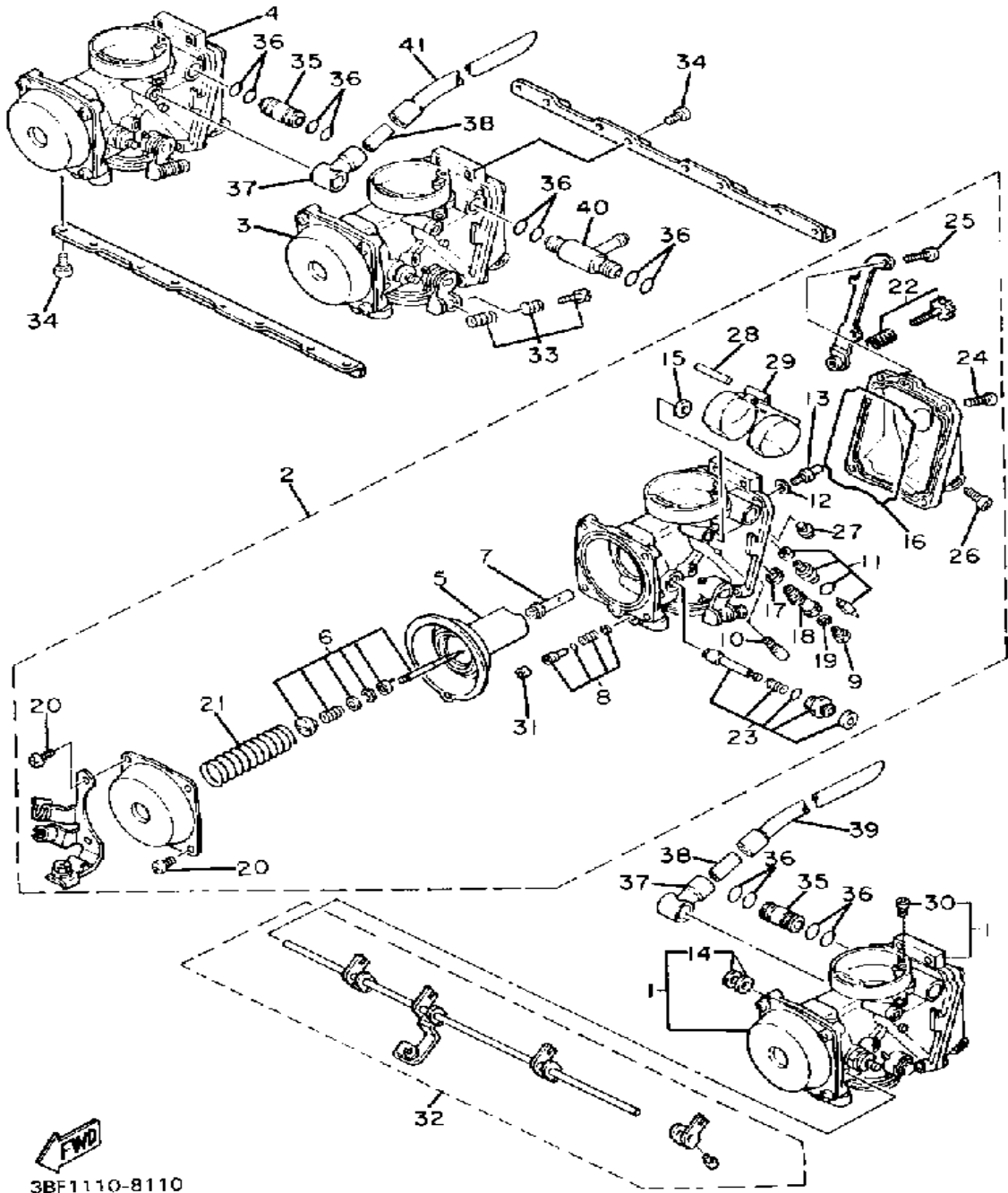
Ref. No.	Part Number	Description	Qty	Remarks
1	4H7-13447-00-00	COVER, OIL ELEMENT	1	
2	1L9-13340-01-00	BY-PASS VALVE ASSEMBLY	1	
3	93210-16629-00	O-RING	1	
4	93210-87723-00	O-RING	1	
5	90501-20422-00	SPRING, COMPRESSION	1	
6	90201-21608-00	WASHER, PLATE	1	
7	1L9-13441-11-00	ELEMENT, OIL CLNR	1	
8	90480-23193-00	GROMMET	2	
9	11H-13490-00-00	RELIEF VALVE ASSEMBLY	1	
10	93210-10096-00	O-RING	1	
11	1WG-13417-00-00	COVER, STRAINER	1	
12	3HE-13414-10-00	GASKET, STRAINER COVER	1	
13	91316-06025-00	BOLT	14	
14	99510-08016-00	PIN, DOWEL	2	
15	3VD-13455-00-00	PLUG	1	
16	214-11198-01-00	GASKET	1	
17	90465-10306-00	CLAMP	1	
18	1WG-13161-00-00	PIPE, DELIVERY 1	1	
19	91316-06012-00	BOLT, SOCKET HEAD	1	
20	90401-10106-00	BOLT, UNION	2	
21	90430-10171-00	GASKET	4	

AIR FILTER



Ref. No.	Part Number	Description	Qty	Remarks
1	1WG-13586-00-00	JOINT, CARBURETOR 1	2	2
2	1WG-13596-00-00	JOINT, CARBURETOR 2	2	4
3	1WG-13597-00-00	JOINT, CARB 3	4	
4	93210-32738-00	O-RING	4	
5	16G-13569-00-00	PLUG, BLIND	4	
6	90467-10039-00	CLIP	4	
7	91316-06020-00	BOLT, SOCKET HEAD	8	
8	90450-49020-00	HOSE CLAMP ASSEMBLY	8	
9	1WG-14411-01-00	CASE, AIR CLEANER 1	1	
10	1WG-14421-00-00	CASE, AIR CLEANER 2	1	
11	1VJ-14462-00-00	SEAL	1	
12	97780-50125-00	SCREW, TAPPING	11	
13	1WG-14451-00-00	ELEMENT, AIR CLEANER	1	
14	1WG-14412-00-00	CAP, CLEANER CASE 1	1	
15	5T0-14457-00-00	SEAL	1	
16	1WG-14453-00-00	JOINT, AIR CLNR 1	4	
17	90460-56287-00	CLAMP, HOSE	4	
18	90445-11452-00	HOSE	1	
19	90467-10008-00	CLIP	3	
20	4X7-2149Y-00-00	FILTER ASSEMBLY	1	
21	90445-115E8-00	HOSE	1	
22	98580-05016-00	SCREW, PAN HEAD	4	
23	92901-05600-00	WASHER, PLATE	4	
24	90464-10075-00	CLAMP	1	

CARBURETOR

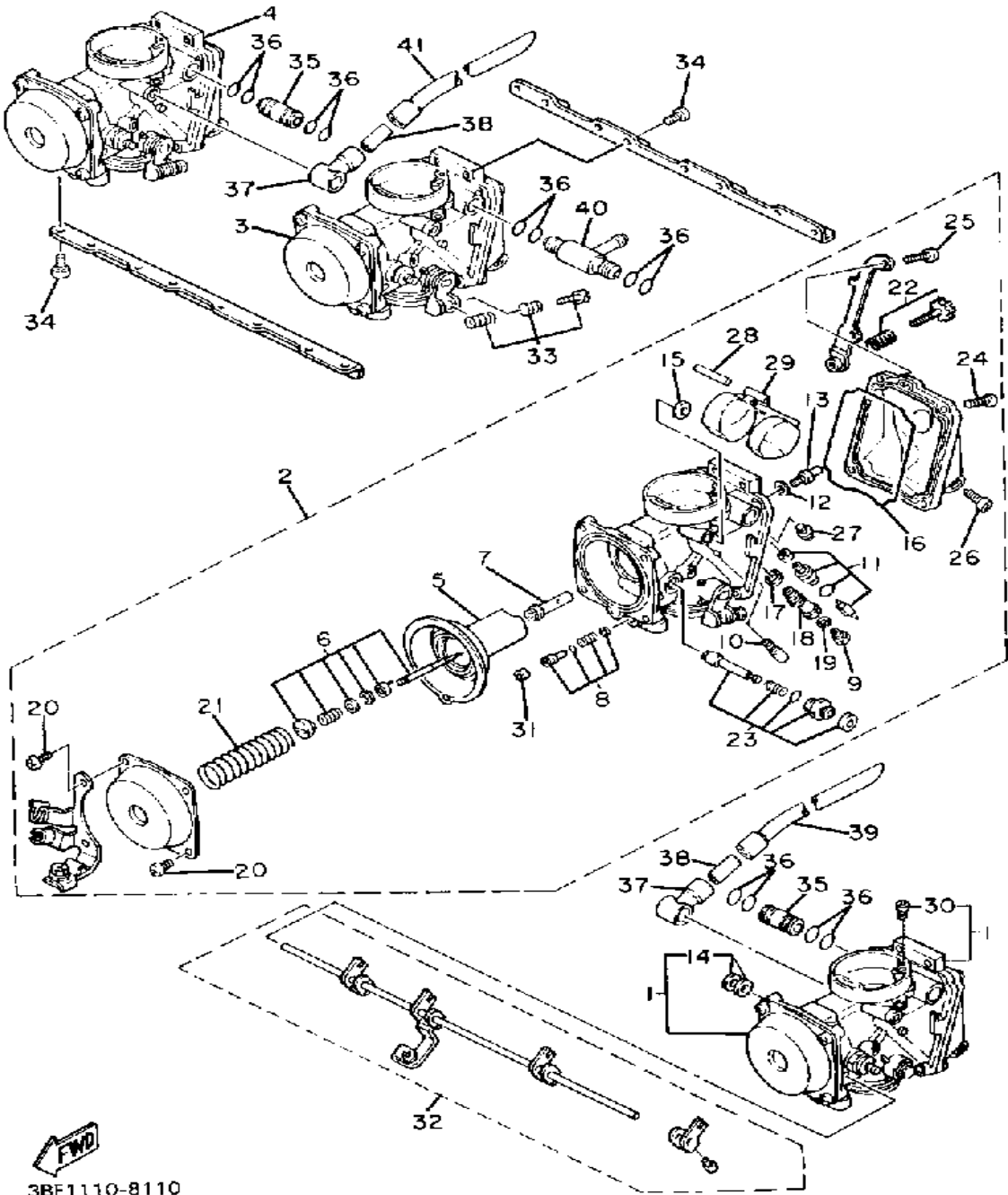


3BF1110-8110

Ref. No.	Part Number	Description	Qty	Remarks
1	3FH-14901-00-00	CARBURETOR ASSEMBLY 1	1	
2	(3FH-14902-00-00)	CARBURETOR ASSEMBLY 2	1	
3	(3FH-14903-00-00)	CARBURETOR ASSEMBLY 3	1	
4	(3FH-14904-00-00)	CARBURETOR ASSEMBLY 4	1	
5	1WG-14940-00-00	. DIAPHRAGM ASSEMBLY	1	
6	3BF-1490J-00-00	. NEEDLE SET	1	
7	1WG-14141-90-00	. NOZZLE, MAIN	1	
8	12R-14105-00-00	. PILOT SCREW SET	1	
9	620-14231-17-00	. JET, MAIN (# 85)	1	UR
	620-1423A-68-00	. JET, MAIN (#87.5)	1	UR
10	3H1-14142-15-00	. JET, PILOT (#15)	1	
11	3CF-14107-12-00	. NEEDLE VALVE SET	1	
12	137-14153-00-00	. WASHER, MAIN JET	1	
13	1AE-14565-00-00	. SCREW		
14	256-14997-00-00	. SEAL	2	
15	1A8-14953-00-00	. WASHER	1	
16	1WG-14147-00-00	. O-RING	1	
17	1AE-14237-00-00	. GASKET	1	
18	1AE-14261-00-00	. HOLDER	1	
19	1AE-14227-00-00	. O-RING	1	
20	98580-05010-00	. SCREW, PAN HEAD	4	
21	3H5-14933-00-00	. SPRING, DIAPHRAGM	1	
22	(3BF-14103-00-00)	THROTTLE SCREW SET	1	
23	1HX-1410A-00-00	. STARTER SET	1	
24	98511-04012-00	. SCREW, PAN HEAD	4	
25	98503-04014-00	. SCREW, PAN HEAD	2	
26	12R-14191-00-00	. PLUG, DRAIN	1	
27	1FN-14565-00-00	. SCREW	1	
28	353-14186-00-00	. PIN, FLOAT	1	

CONTINUED ON NEXT FRAME ➤

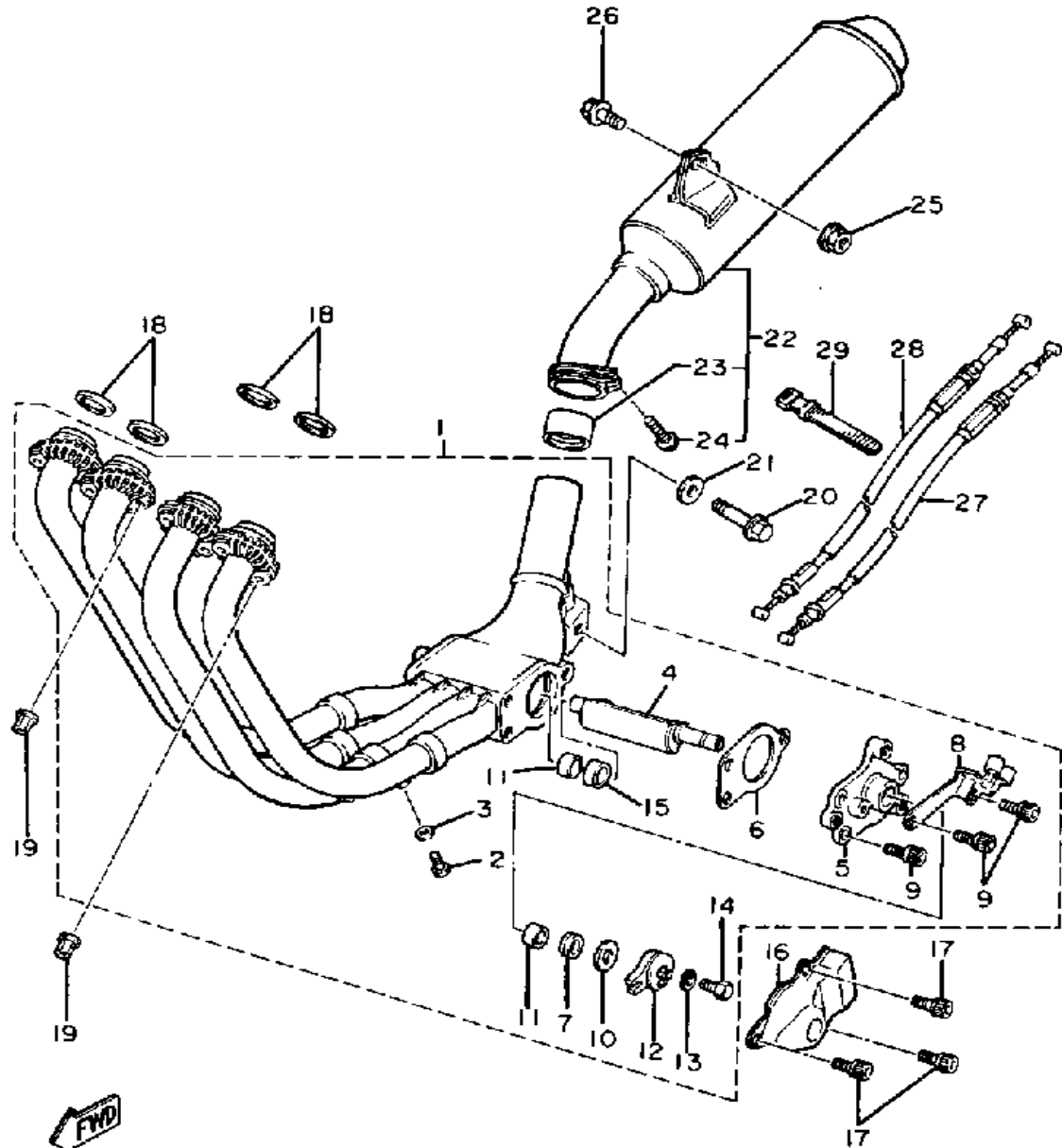
CARBURETOR



3BF1110-8110

Ref. No.	Part Number	Description	Qty	Remarks
29	1WG-14985-00-00	. FLOAT	1	
30	830-14231-26-00	. JET, PILOT AIR #1 0	1	
31	3F9-14118-00-00	. CAP	1	
32	1WG-1490L-00-00	STARTER LEVR SET, 1	1	
33	1WG-1490K-10-00	STOP SCREW SET	3	
34	98580-05010-00	SCREW, PAN HEAD	16	
35	1WG-14251-00-00	NIPPLE	2	
36	36Y-14147-00-00	O-RING	12	
37	1AE-14197-00-00	PIPE	2	
38	1FN-14918-00-00	RING	2	
39	1HX-14197-00-00	PIPE	1	
40	1HX-14251-00-00	NIPPLE	1	
41	1HX-14148-00-00	PIPE	1	

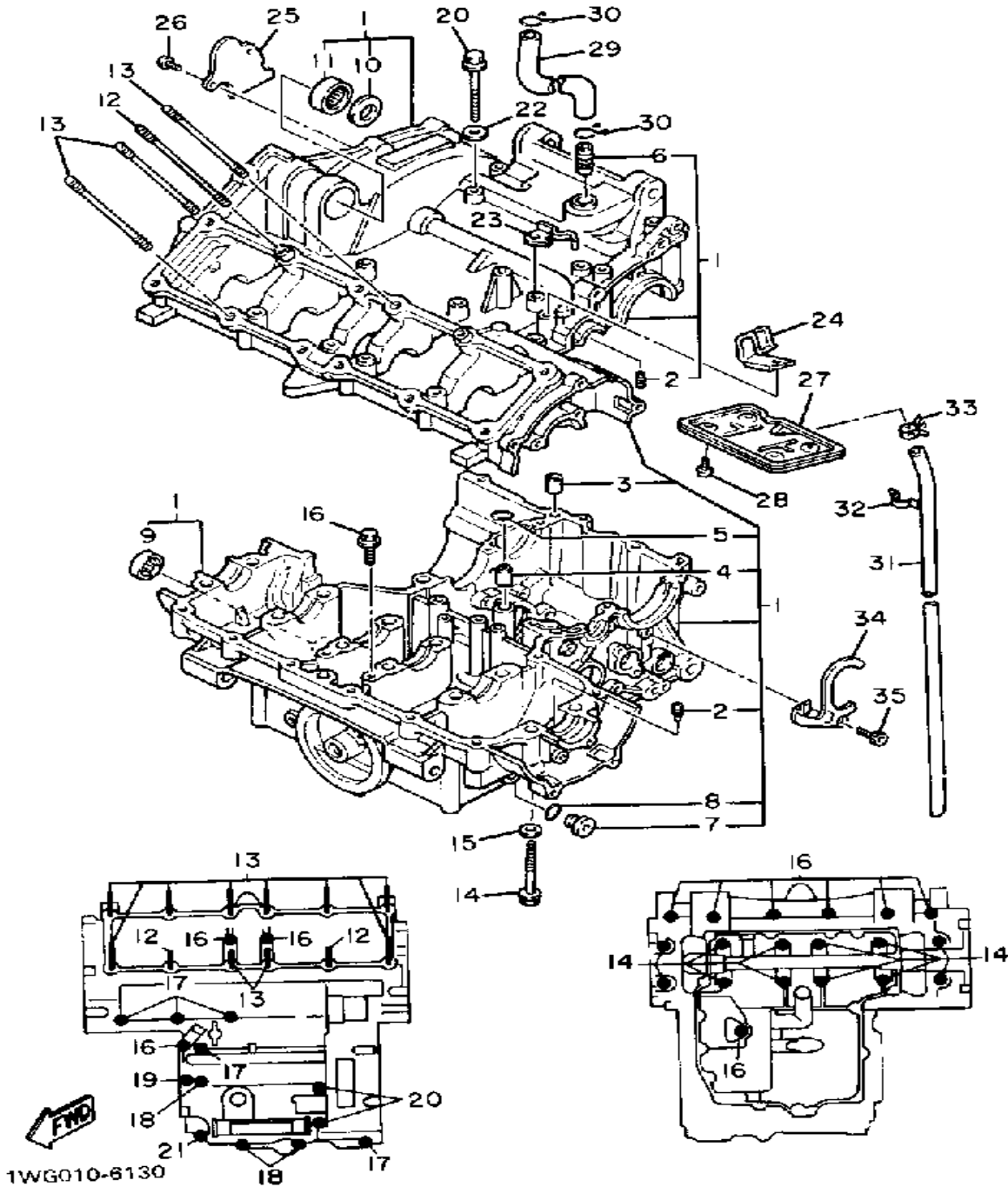
EXHAUST



3FH1110-8120

Ref. No.	Part Number	Description	Qty	Remarks
1	3FH-14610-00-00	EXHAUST PIPE ASSEMBLY L	1	
2	90101-06576-00	. BOLT	4	
3	92906-06600-00	. WASHER	4	
4	3FH-14821-01-00	. ARM, SHAFT (VALVE)	1	
5	3FH-14811-00-00	. HOUSING	1	
6	3FH-14815-00-00	. GASKET	1	
7	2TK-14845-00-00	. DUST SEAL ASSEMBLY	1	
8	2TK-14867-01-00	. BRACKET	1	
9	90119-06115-00	. BOLT, WITH WASHER	3	
10	90201-106M5-00	. WASHER, PLATE	1	
11	90380-10197-00	. BUSH, SOLID	2	
12	2TK-14865-01-00	. PULLEY	1	
13	92990-05200-00	. WASHER, PLAIN	1	
14	97011-05012-00	. BOLT	1	
15	90387-106U7-00	. COLLAR	1	
16	3EN-14826-10-00	PROTECTOR, EXHAUST	1	
17	90119-06131-00	BOLT, WITH WASHER	3	
18	3YF-14613-01-00	GASKET, EXHAUST PIPE	4	
19	90179-06500-00	NUT	8	
20	95816-08030-00	BOLT, FLANGE	1	
21	90201-08730-00	WASHER, PLATE	1	
22	3FH-14710-00-00	MUFFLER ASSEMBLY L	1	
23	2TK-14755-00-00	. GASKET, SILENCER	1	
24	95816-08045-00	. BOLT, FLANGE	1	
25	90179-08639-00	NUT, SPEC'L SHAPE (30)	1	
26	95816-08020-00	BOLT, FLANGE	1	
27	3FH-1133E-01-00	WIRE, PULLEY 1	1	
28	3FH-1133F-01-00	CABLE, PULLEY	1	
29	90465-13169-00	CALMP	2	

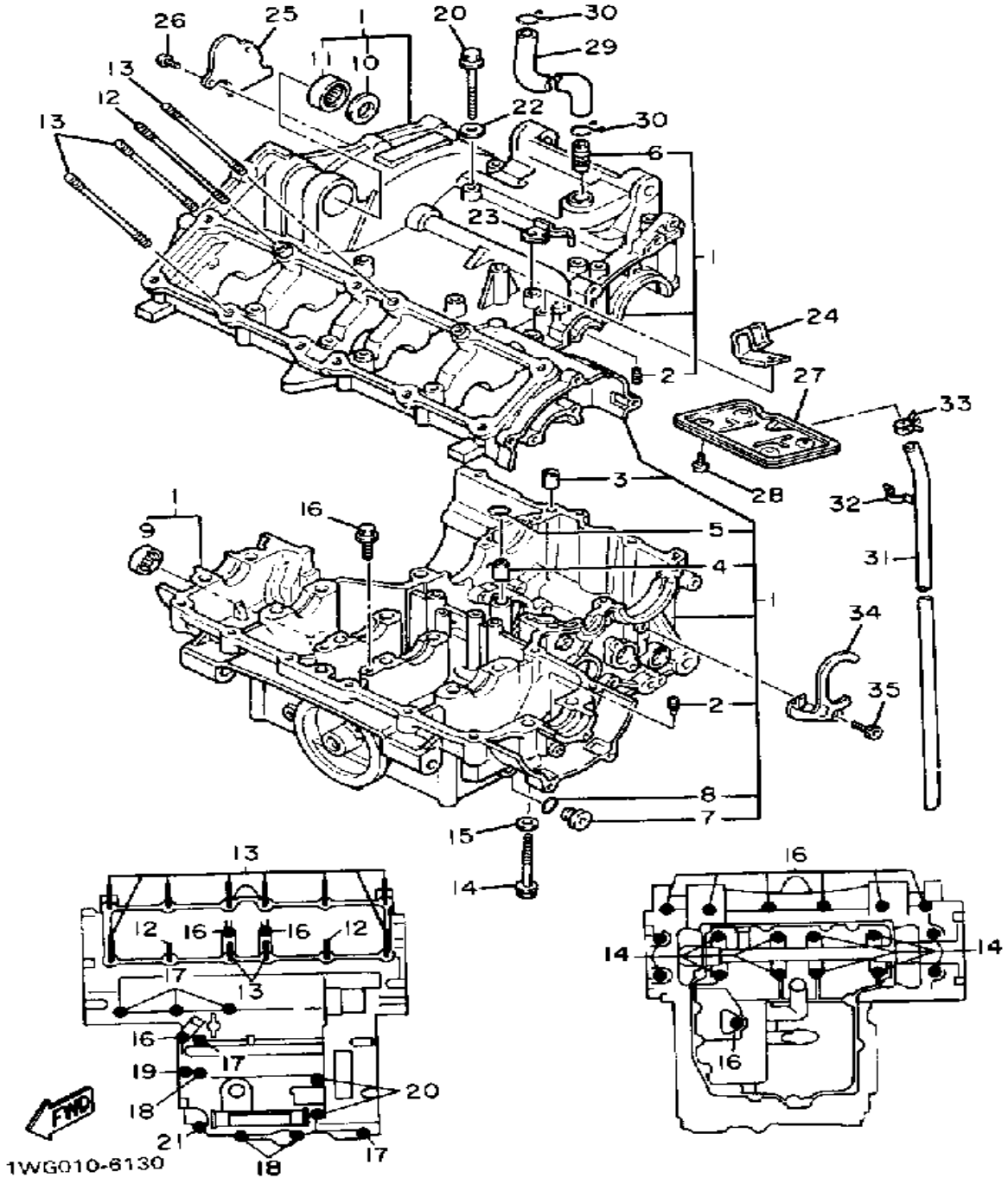
CRANKCASE



Ref. No.	Part Number	Description	Qty	Remarks
1	1WG-15100-01-00	CRANKCASE ASSEMBLY	1	
2	11H-15138-00-00	. NOZZLE 1	4	
3	99510-12016-00	. PIN, DOWEL	3	
4	1HX-15138-00-00	. NOZZLE 1	1	
5	93210-12152-00	. O-RING	1	
6	371-11167-01-00	. PIPE, BREATHER 2	1	
7	36Y-15189-00-00	. PLUG	2	
8	93210-16629-00	. O-RING	2	
9	2H7-15361-00-00	. GAUGE, LEVEL	1	
10	90201-237K5-00	. WASHER, PLATE	1	
11	93315-32516-00	. BEARING	1	
12	90116-08486-00	BOLT, STUD	2	
13	90116-08487-00	BOLT, STUD	10	
14	90105-08429-00	BOLT, WASHER BASED	12	
15	90201-087K3-00	WASHER, PLATE	12	
16	95816-06040-00	BOLT	10	
17	95816-06050-00	BOLT, FLANGE	5	
18	95816-06070-00	BOLT, FLANGE	3	
19	95816-06080-00	BOLT, FLANGE	1	
20	95816-06090-00	BOLT, FLANGE	2	
21	95816-08070-00	BOLT, FLANGE	1	
22	90430-06166-00	GASKET	1	
23	90465-10307-00	CLAMP	1	
24	90465-10308-00	CLAMP	1	
25	(1WG-11165-00-00)	PLATE, BREATHER	1	
26	98580-06012-00	SCREW, PAN HEAD	2	
27	(1WG-11145-00-00)	PLATE, BREATHER 2	1	
28	98580-06012-00	SCREW, PAN HEAD	4	
29	1WG-11166-00-00	PIPE, BREATHER 1	1	

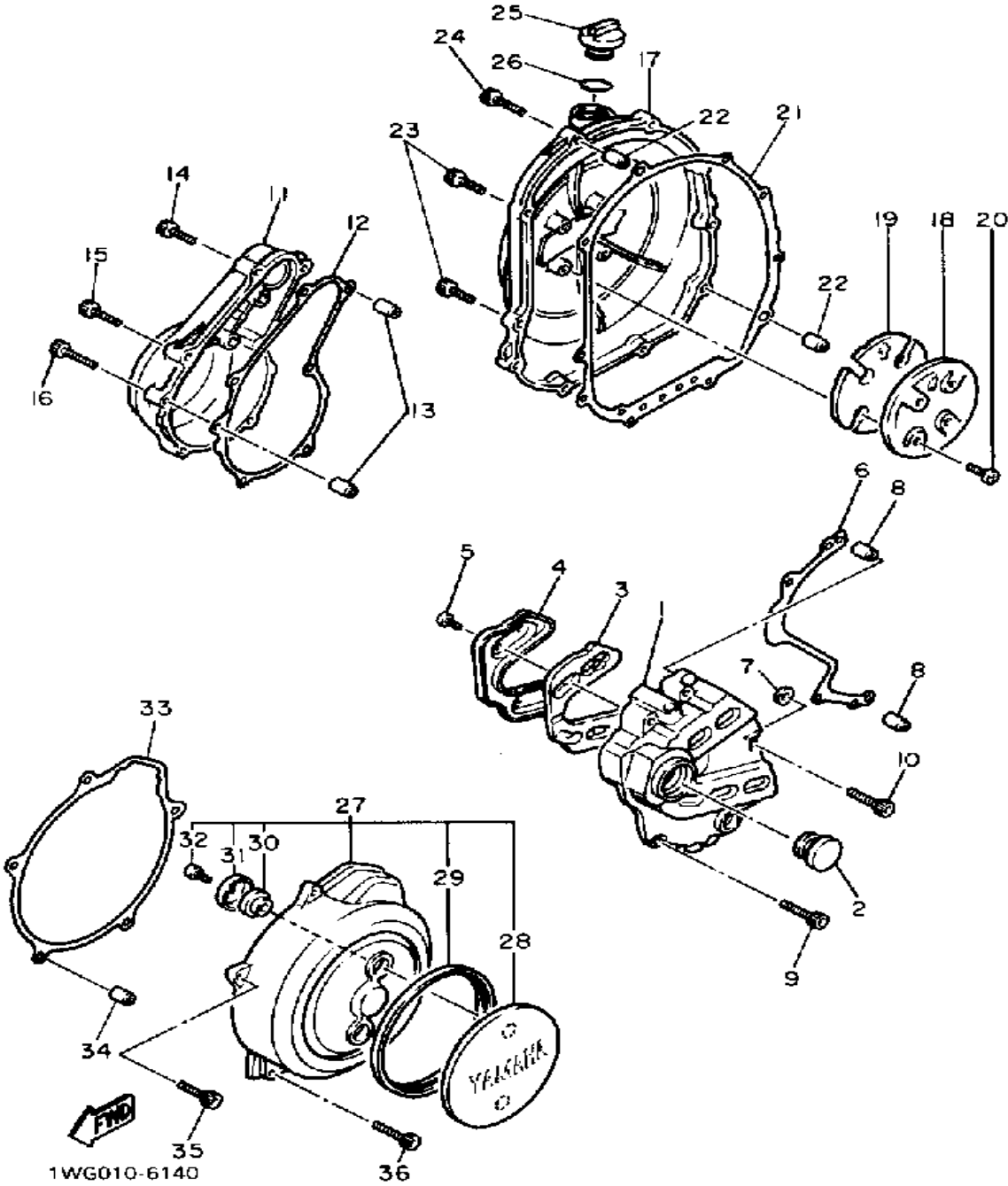
CONTINUED ON NEXT FRAME ➤

CRANKCASE



Ref. No.	Part Number	Description	Qty	Remarks
30	90467-14015-00	CLIP	2	
31	90445-116E9-00	HOSE	1	
32	90465-06289-00	CLAMP	1	
33	90467-10038-00	CLIP	1	
34	1WG-15381-00-00	PLATE, BEARING COVER	1	
35	91316-06012-00	BOLT, SOCKET HEAD	2	

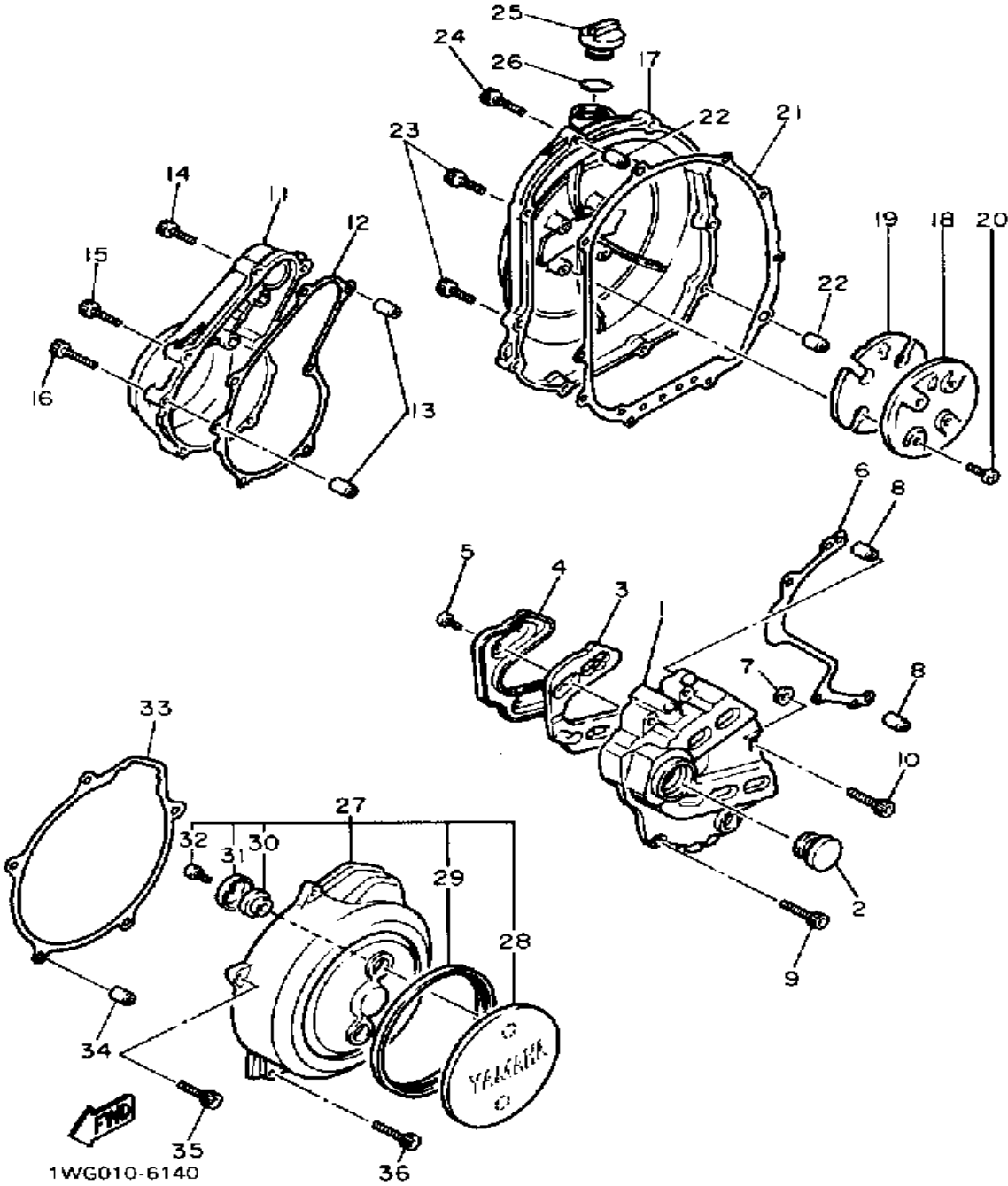
CRANKCASE COVER



Ref. No.	Part Number	Description	Qty	Remarks
1	1WG-15411-00-00	COVER, CRANKCASE L	1	
2	1L9-15417-00-00	COVER, CAP	1	
3	1WG-15316-00-00	DAMPER, ENGINE MOUNT 1	1	
4	1WG-15427-00-00	COVER, CAP 2	1	
5	98901-05008-00	SCREW, BIND	4	
6	3HE-15451-10-00	GASKET, CRANKCASE COVER 1	1	
7	1UF-15467-00-00	GASKET	1	
8	99510-08016-00	PIN, DOWEL	2	
9	90110-06149-00	BOLT, HEXAGON SOCKET HEAD	4	
10	90110-06148-00	BOLT, HEXAGON SOCKET HEAD	1	
11	1WG-15421-00-00	COVER, CRANKCASE R	1	
12	3HE-15461-10-00	GASKET, CRANKCASE COVER 2	1	
13	99510-08016-00	PIN, DOWEL	2	
14	91311-06025-00	BOLT, SOCKET HEAD	2	
15	91311-06035-00	BOLT, SOCKET HEAD	4	
16	91311-06045-00	BOLT	1	
17	1WG-15431-02-00	COVER, CRANKCASE 3	1	
18	1WG-15425-00-00	COVER, GENERATOR 2	1	
19	1WG-15326-00-00	DAMPER, ENGINE MOUNT 2	1	
20	98901-05008-00	SCREW, BIND	4	
21	3HE-15462-10-00	GASKET, CRANKCASE COVER 3	1	
22	99510-08016-00	PIN, DOWEL	2	
23	91311-06025-00	BOLT, SOCKET HEAD	8	
24	91311-06035-00	BOLT, SOCKET HEAD	2	
25	3F9-15362-00-00	PLUG, OIL LEVEL	1	

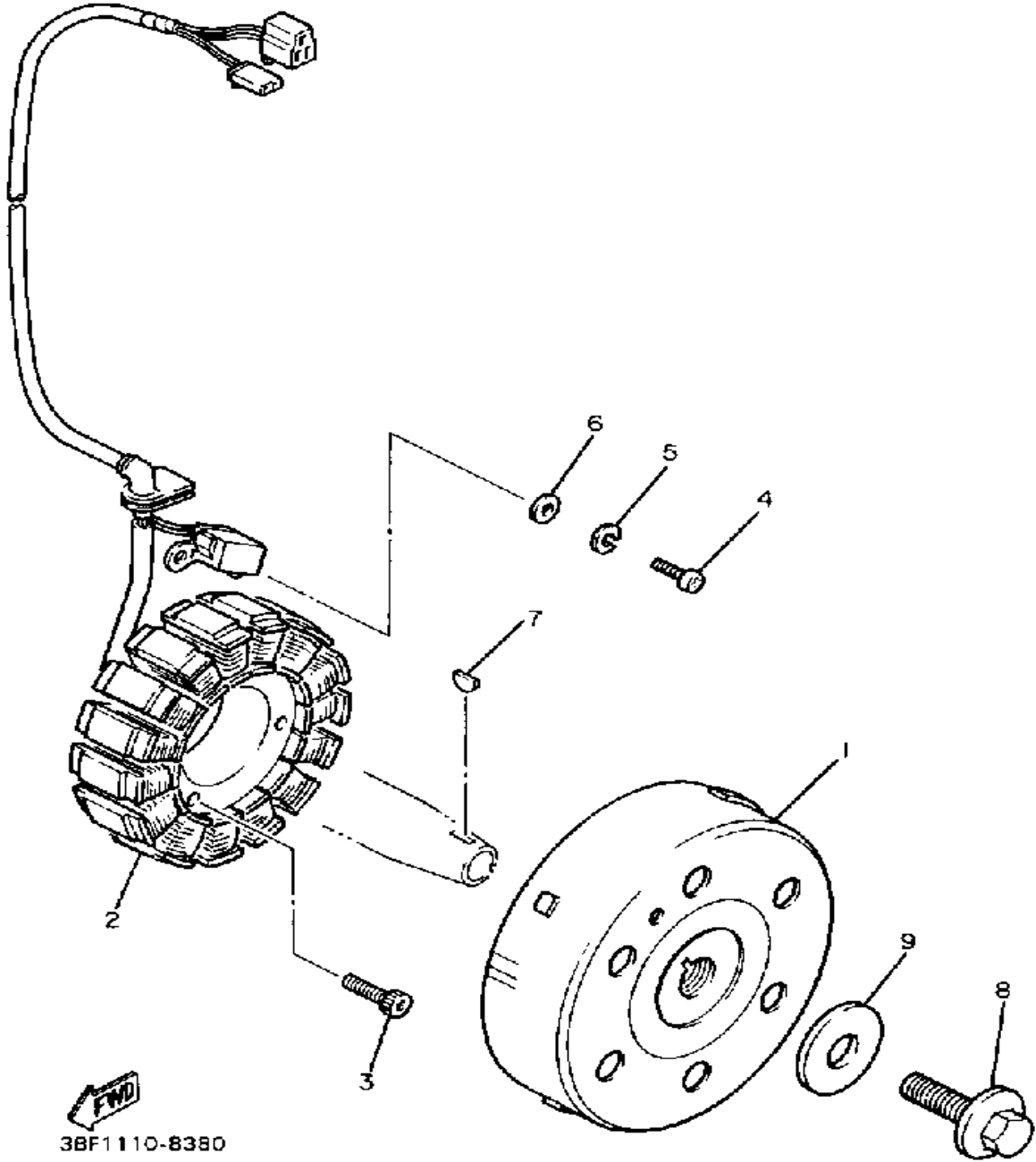
CONTINUED ON NEXT FRAME ►

CRANKCASE COVER



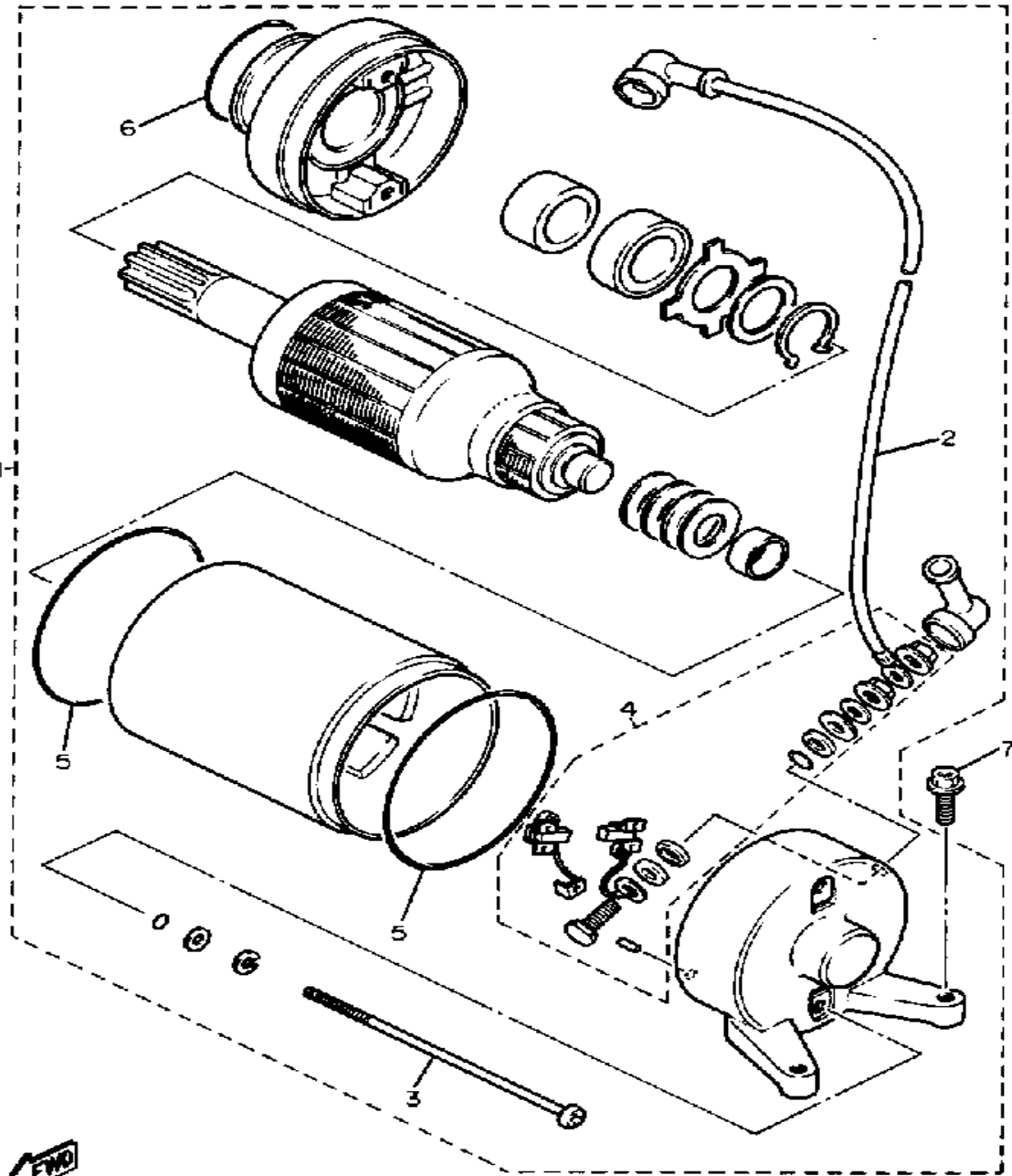
Ref. No.	Part Number	Description	Qty	Remarks
26	93210-27778-00	O-RING	1	
27	1WG-15410-00-00	CRCS COVER ASSEMBLY	1	
		LASSEMBLY 1	1	
28	1WG-15416-00-00	. COVER, OIL PUMP	1	
29	1WG-15449-00-00	. RING, RUBBER	1	
30	1JK-15486-00-00	. GROMMET	2	
31	90209-05279-00	. WASHER	2	
32	98580-05010-00	. SCREW, PAN HEAD	2	
33	1WG-15455-00-00	GASKET 1	1	
34	99510-08016-00	PIN, DOWEL	2	
35	91311-06025-00	BOLT, SOCKET HEAD	3	
36	91311-06035-00	BOLT, SOCKET HEAD	2	

GENERATOR



Ref. No.	Part Number	Description	Qty	Remarks
1	3FH-81450-10-00	ROTOR ASSEMBLY	1	
2	3FH-81410-10-00	STATOR ASSEMBLY	1	
3	90110-06138-00	BOLT, HEX SKT HEAD	3	
4	98580-05016-00	SCREW, PAN HEAD	2	
5	92990-05100-00	WASHER, SPRING	2	
6	92901-05600-00	WASHER, PLATE	2	
7	90280-03047-00	KEY, WOODRUFF	1	
8	90105-10430-00	BOLT, WASHER BASED	1	
9	90201-107K6-00	WASHER, PLATE	1	

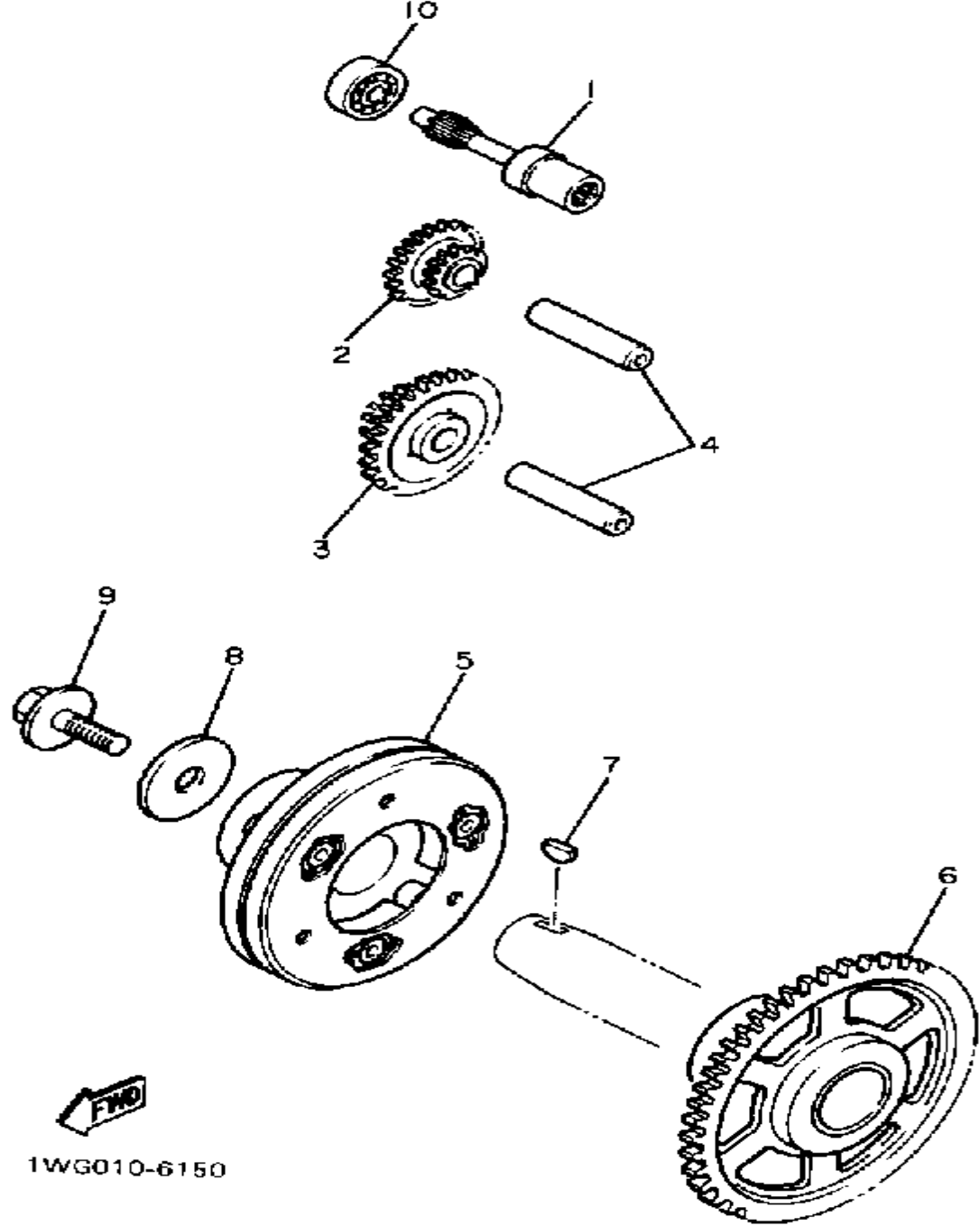
STARTING MOTOR



1WG010-6390

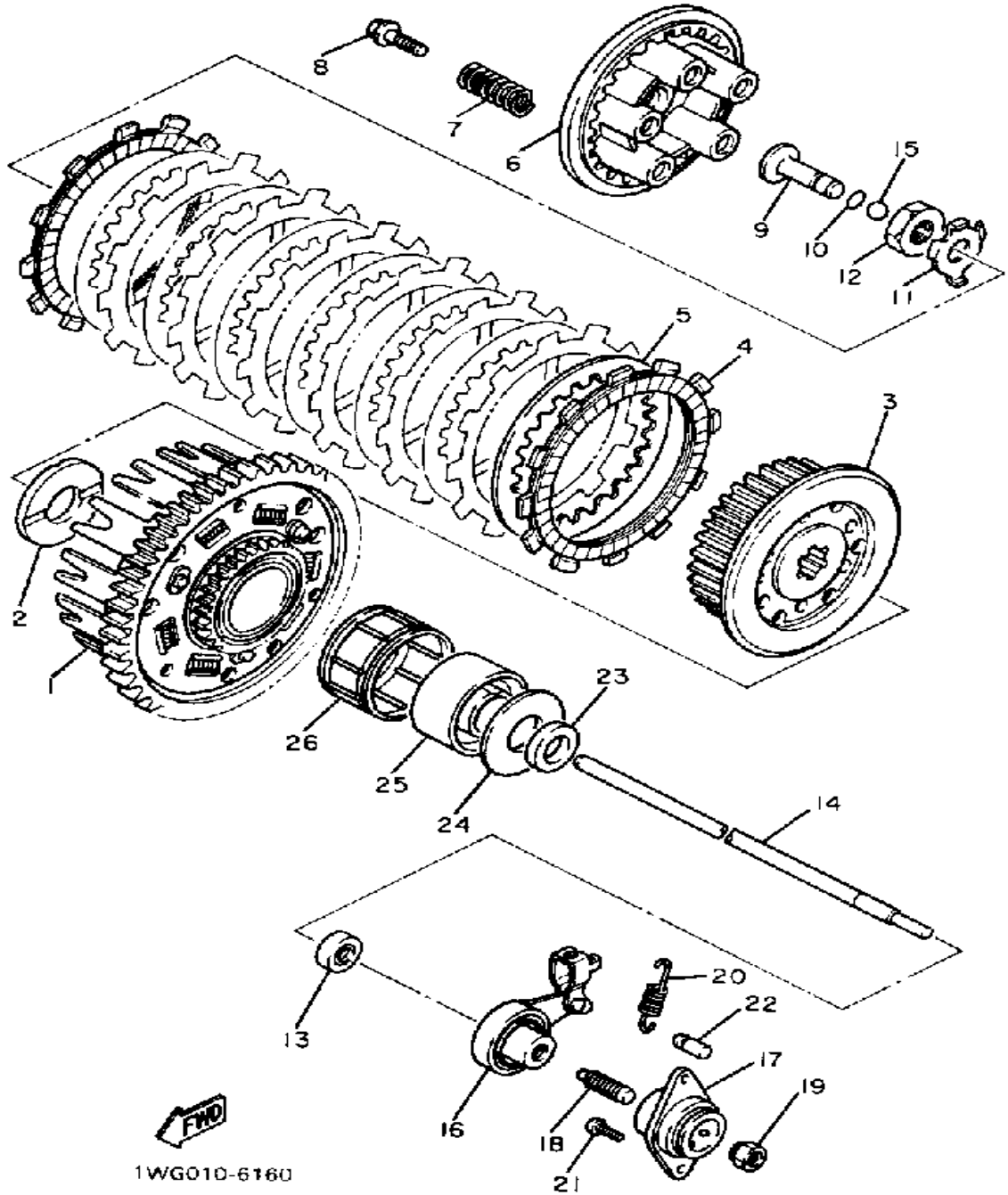
Ref. No.	Part Number	Description	Qty	Remarks
1	1WG-81800-61-00	STARTING MOTOR ASSEMBLY	1	
2	1HX-81815-00-00	. CORD, STARTER MOTOR	1	
3	25G-81826-00-00	. BOLT	1	
4	1WG-81820-01-00	. REAR BRACKET ASSEMBLY.	1	
5	5H0-81844-01-00	. GASKET	2	
6	5H0-81847-01-00	. O-RING	1	
7	95023-06020-00	BOLT, FLANGE	2	

STARTER CLUTCH



Ref. No.	Part Number	Description	Qty	Remarks
1	1WG-15521-00-00	SHAFT 1	1	
2	1WG-15512-00-00	GEAR, IDLER 1	1	
3	1WG-15517-00-00	GEAR, IDLER 2	1	
4	4H7-15521-00-00	SHAFT 1	2	
5	1WG-15570-00-00	STARTER CLUTCH ASSEMBLY	1	
6	1WG-15515-00-00	GEAR 3	1	
7	90280-16053-00	KEY, WOODRUFF	1	
8	90201-107K6-00	WASHER, PLATE	1	
9	90105-10445-00	BOLT, WASHER BASED	1	
10	93306-20005-00	BEARING (B6200)	1	

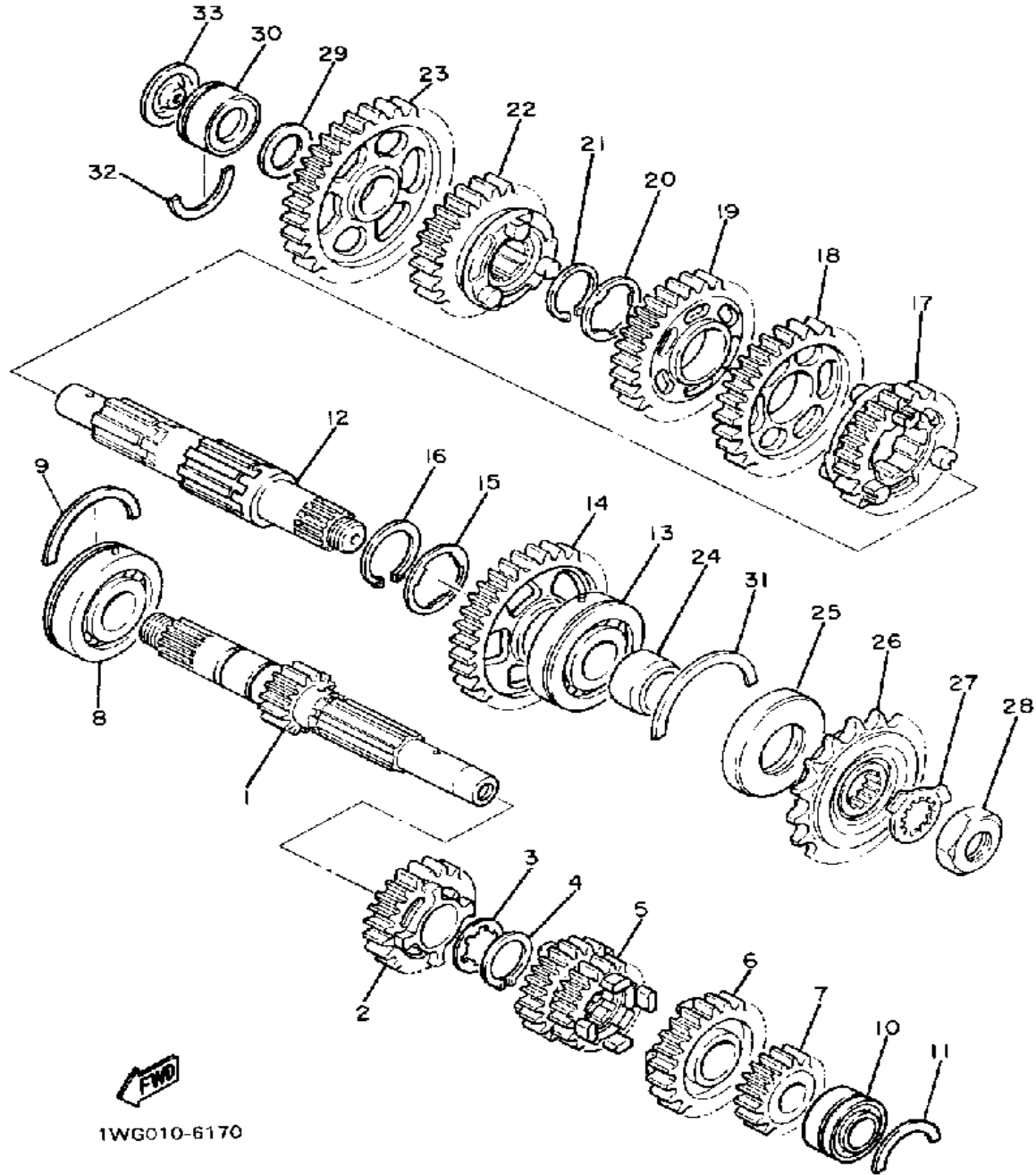
CLUTCH



1WG010-6160

Ref. No.	Part Number	Description	Qty	Remarks
1	1WG-16150-01-00	PRI DRVN GEARCOMP	1	
2	1WG-16154-00-00	PLATE, THRUST 1	1	
3	1WG-16371-01-00	BOSS, CLUTCH	1	
4	21V-16321-00-00	PLATE, FRICTION	8	
5	131-16324-00-00	PLATE, CLUTCH 1	7	
6	37F-16351-00-00	PLATE, PRESSURE 1	1	
7	90501-227E0-00	SPRING, COMPRESSION	5	
8	90119-05001-00	BOLT, WITH WASHER	5	
9	1WG-16356-00-00	ROD, PUSH 1	1	
10	93210-48364-00	O-RING	1	
11	90215-18225-00	WASHER, LOCK	1	
12	90170-18221-00	NUT	1	
13	93109-08058-00	OIL SEAL (SD07 8-21-5.5 HS)	1	
14	1WG-16357-01-00	ROD, PUSH 2	1	
15	93505-16006-00	BALL	1	
16	1WG-16340-01-00	PUSH LEVER ASSEMBLY	1	
17	1WG-16304-00-00	BALL SCREW HOUSING ASSEMBLY	1	
18	90113-08021-00	BOLT, SET	1	
19	90179-08179-00	NUT	1	
20	90506-09232-00	SPRING, TENSION	1	
21	90157-05065-00	SCREW, PAN HEAD	2	
22	132-16346-00-00	HOOK, SPRING	1	
23	90387-212R3-00	COLLAR	1	
24	1WG-16164-00-00	PLATE, THRUST 2	1	
25	1WG-16181-00-00	SPACER 1	1	
26	93310-345R8-00	BEARING	1	

TRANSMISSION

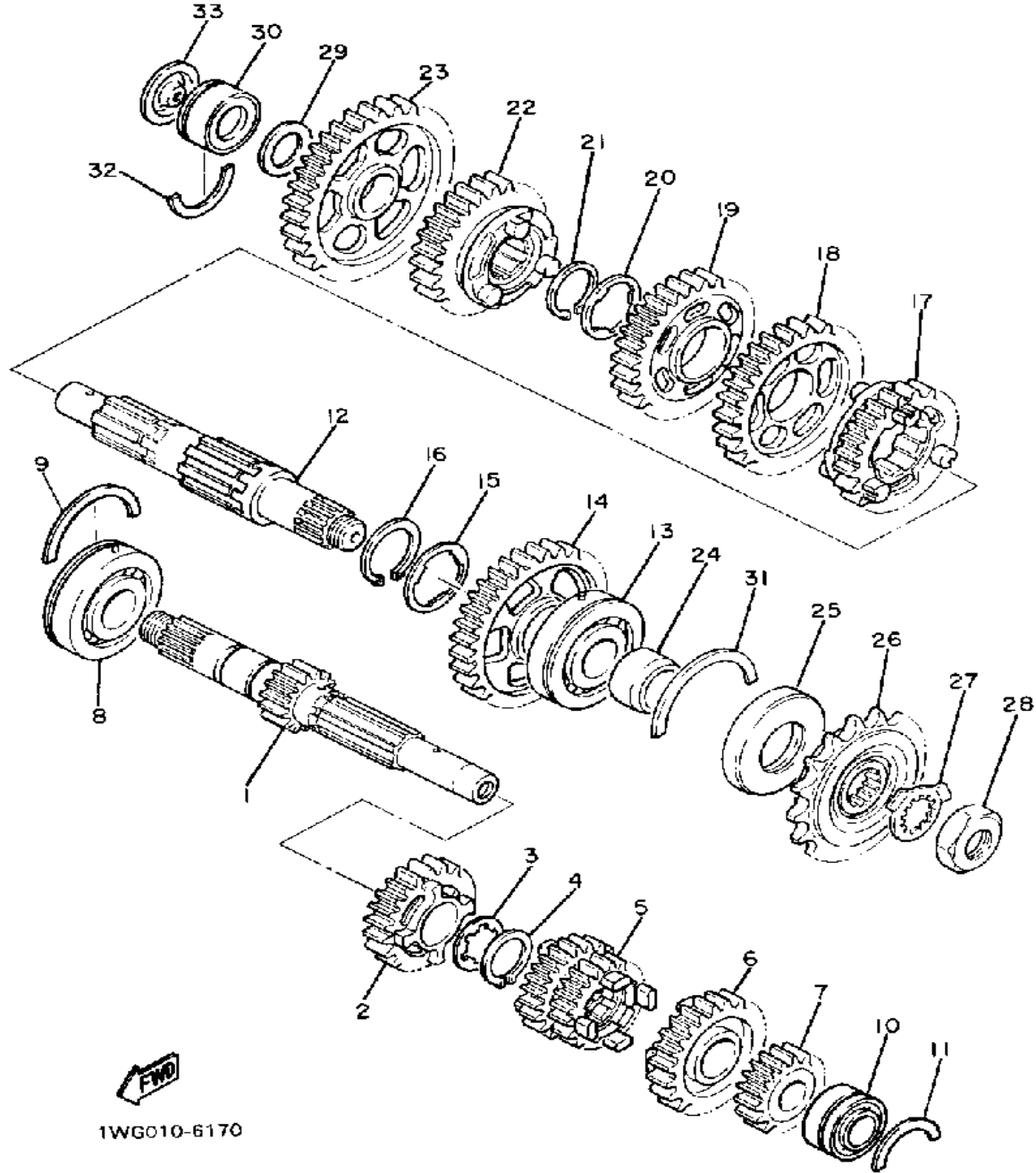


1WG010-6170

Ref. No.	Part Number	Description	Qty	Remarks
1	1WG-17411-00-00	AXLE, MAIN	1	
2	1WG-17151-00-00	GEAR, 5TH PINION	1	
3	90209-18208-00	WASHER	1	
4	93410-22039-00	CIRCLIP	1	
5	3EN-17131-00-00	GEAR, 3RD PINION (21T/23T)	1	
6	1WG-17161-00-00	GEAR, 6TH PINION	1	
7	1WG-17121-01-00	GEAR, 2ND PINION	1	
8	93306-37205-00	BEARING (83B285C3)	1	
9	93440-54152-00	CIRCLIP	1	
10	93399-99933-00	BEARING	1	
11	278-17425-00-00	CIRCLIP 2	1	
12	1WG-17421-01-00	AXLE, DRIVE	1	
13	93306-30550-00	BEARING	1	
14	1WG-17221-00-00	GEAR, 2ND WHEEL	1	
15	90209-27192-00	WASHER	1	
16	93440-30077-00	CIRCLIP	1	
17	1WG-17261-00-00	GEAR, 6TH WHEEL	1	
18	1WG-17231-00-00	GEAR, 3RD WHEEL	1	
19	3EN-17241-00-00	GEAR, 4TH WHEEL	1	
20	90209-22191-00	WASHER	1	
21	93440-25084-00	CIRCLIP	1	
22	1WG-17251-00-00	GEAR, 5TH WHEEL	1	
23	1WG-17211-00-00	GEAR, 1ST WHEEL	1	
24	90387-252R2-00	COLLAR	1	
25	93102-35109-00	OIL SEAL (SD-35-62-6 HS)	1	
26	3FH-17460-00-00	SPROCKET, DRIVE 19T	1	
27	90215-21022-00	WASHER, LOCK	1	
28	90179-18020-00	NUT	1	
29	90201-20276-00	WASHER, PLATE (1.0T)	1	

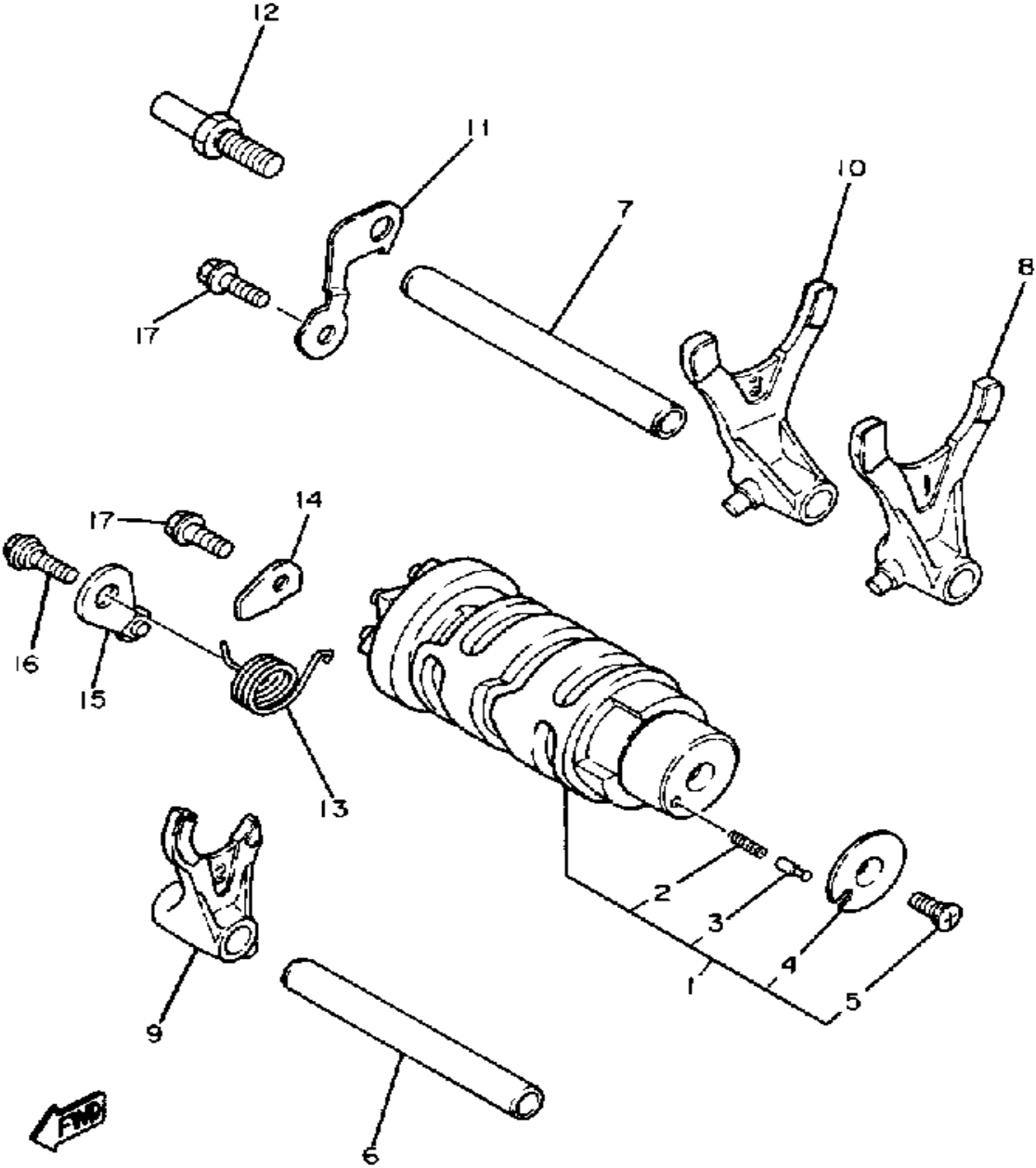
CONTINUED ON NEXT FRAME ➤

TRANSMISSION



Ref. No.	Part Number	Description	Qty	Remarks
30	93311-42045-00	BEARING (20NG3315NE)	1	
31	278-17424-01-00	CIRCLIP 1	1	
32	278-17425-00-00	CIRCLIP 2	1	
33	4G0-17433-01-00	NOZZLE	1	

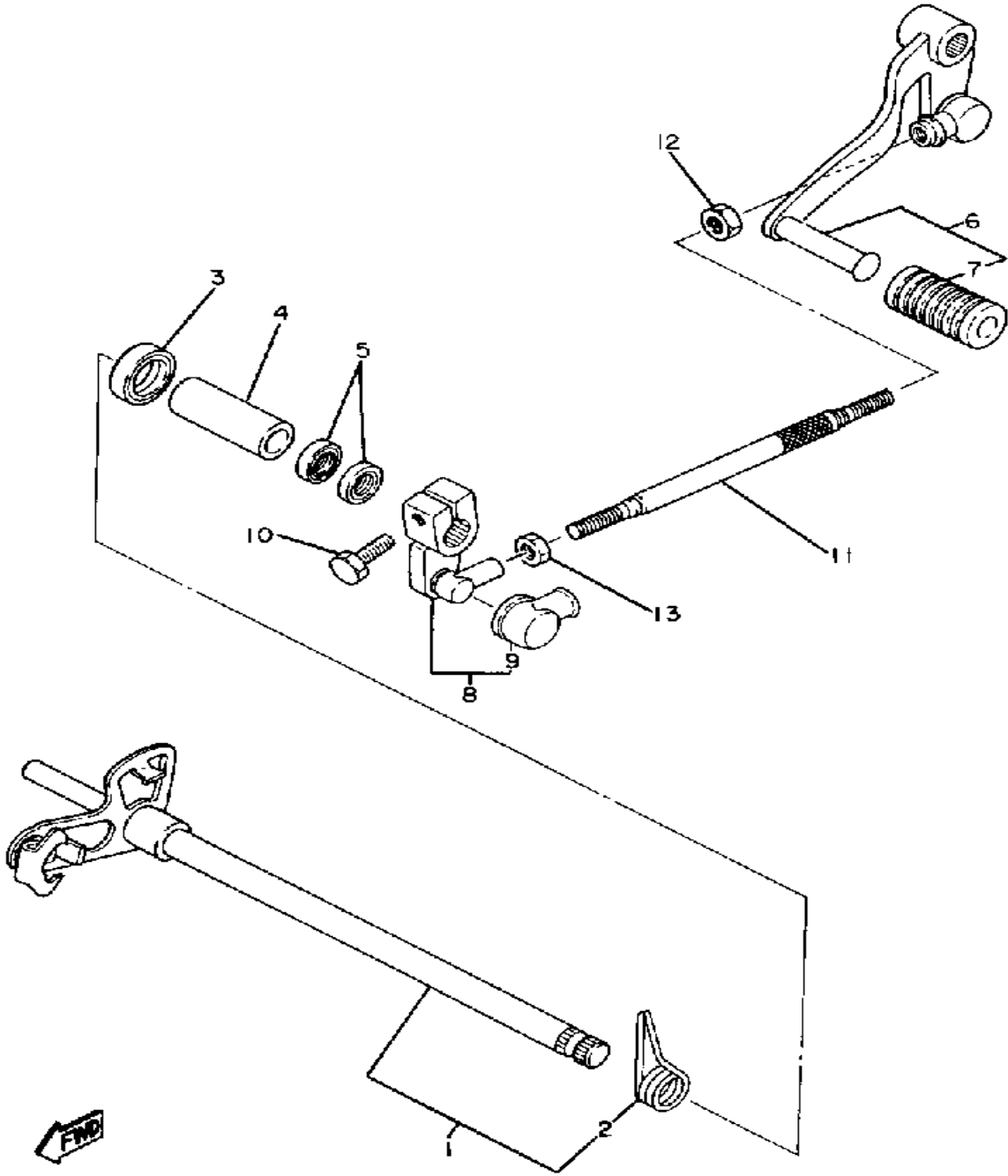
SHIFT CAM-FORK



1WG010-6180

Ref. No.	Part Number	Description	Qty	Remarks
1	1WG-18540-01-00	SHIFT CAM ASSEMBLY	1	
2	90501-06022-00	. SPRING, COMPRESSION	1	
3	278-18542-00-00	. POINT, NEUTRAL	1	
4	278-18566-00-00	. PLATE, SIDE 2	1	
5	98701-05012-00	. SCREW, FLAT HEAD	1	
6	1WG-18531-01-00	BAR, SHIFT FORK GUIDE 1	1	
7	1WG-18535-01-00	BAR, SHIFT FORK GUIDE 2	1	
8	1WG-18511-00-00	FORK, SHIFT 1	1	
9	1WG-18512-00-00	FORK, SHIFT 2	1	
10	1WG-18513-00-00	FORK, SHIFT 3	1	
11	1WG-18536-00-00	STOPPER, SHIFT BAR	1	
12	1HX-18127-00-00	STOPPER, SCREW	1	
13	90508-23707-00	SPRING, TORSION	1	
14	1WG-18562-00-00	PLATE, STOPPER 2	1	
15	36Y-18140-00-00	STOPPER LEVER ASSEMBLY	1	
16	50W-21631-00-00	BOLT 1	1	
17	95811-06016-00	BOLT, FLANGE (95822-06016)	2	

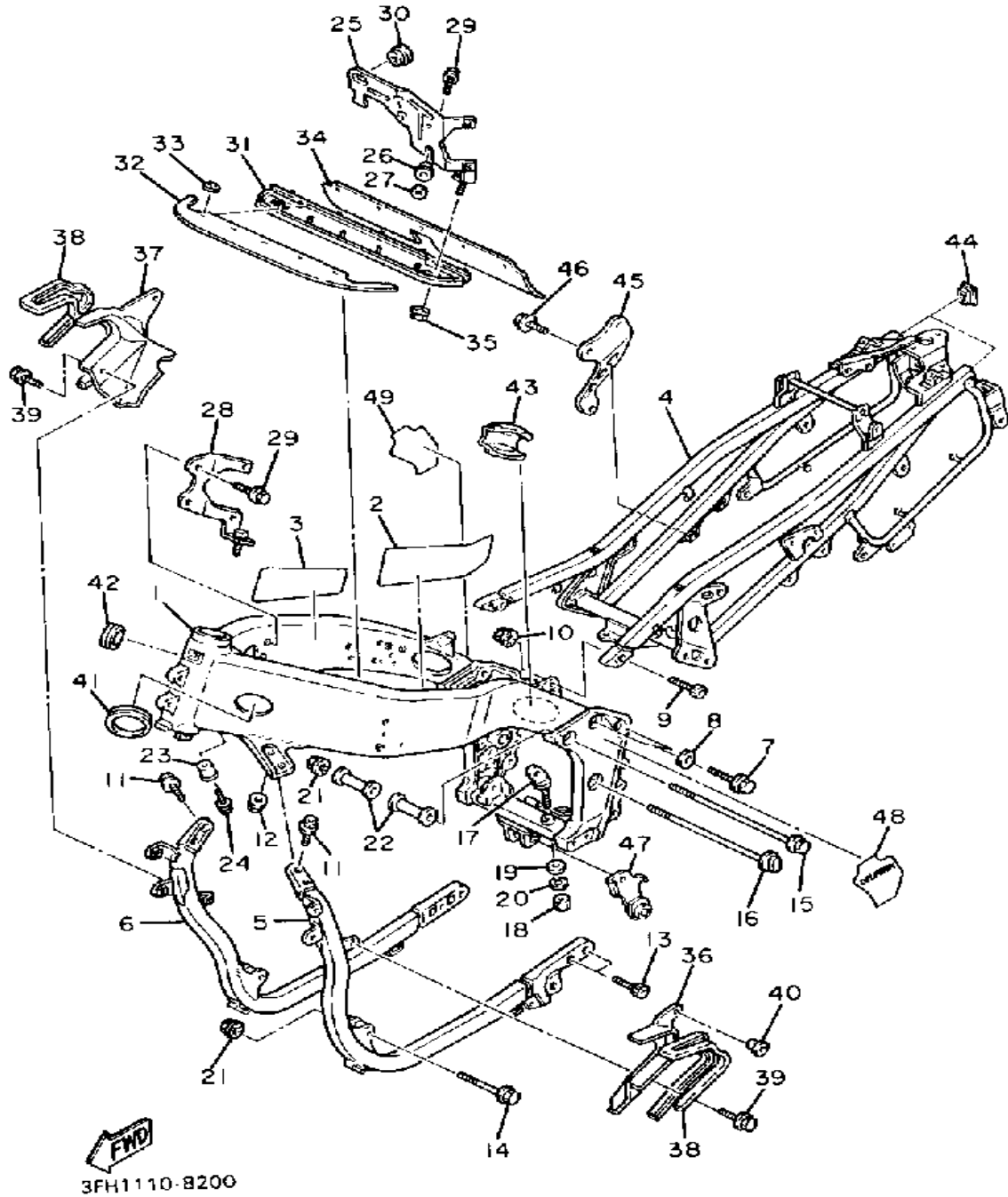
SHIFT SHAFT



1WG010-6190

Ref. No.	Part Number	Description	Qty	Remarks
1	3EN-18101-01-00	SHIFT SHAFT ASSEMBLY	1	
2	90508-32682-00	. SPRING, TORSION	1	
3	93102-12321-00	OIL SEAL, SD-TYPE	1	
4	90560-12211-00	SPACER	1	
5	93109-12053-00	OIL SEAL (SDO 12/18/4-1)	2	
6	3HE-18110-00-00	SHIFT PEDAL ASSEMBLY	1	
7	132-18113-01-00	. COVER, SHIFT PEDAL	1	
8	1WG-18112-01-00	ARM, SHIFT	1	
9	2H9-18154-00-00	. COVER, DUST	1	
10	97011-06020-00	BOLT	1	
11	1WG-18115-00-00	ROD, SHIFT	1	
12	90170-06228-00	NUT (COUNTER CLOCKWISE)	1	
13	95380-06700-00	NUT	1	

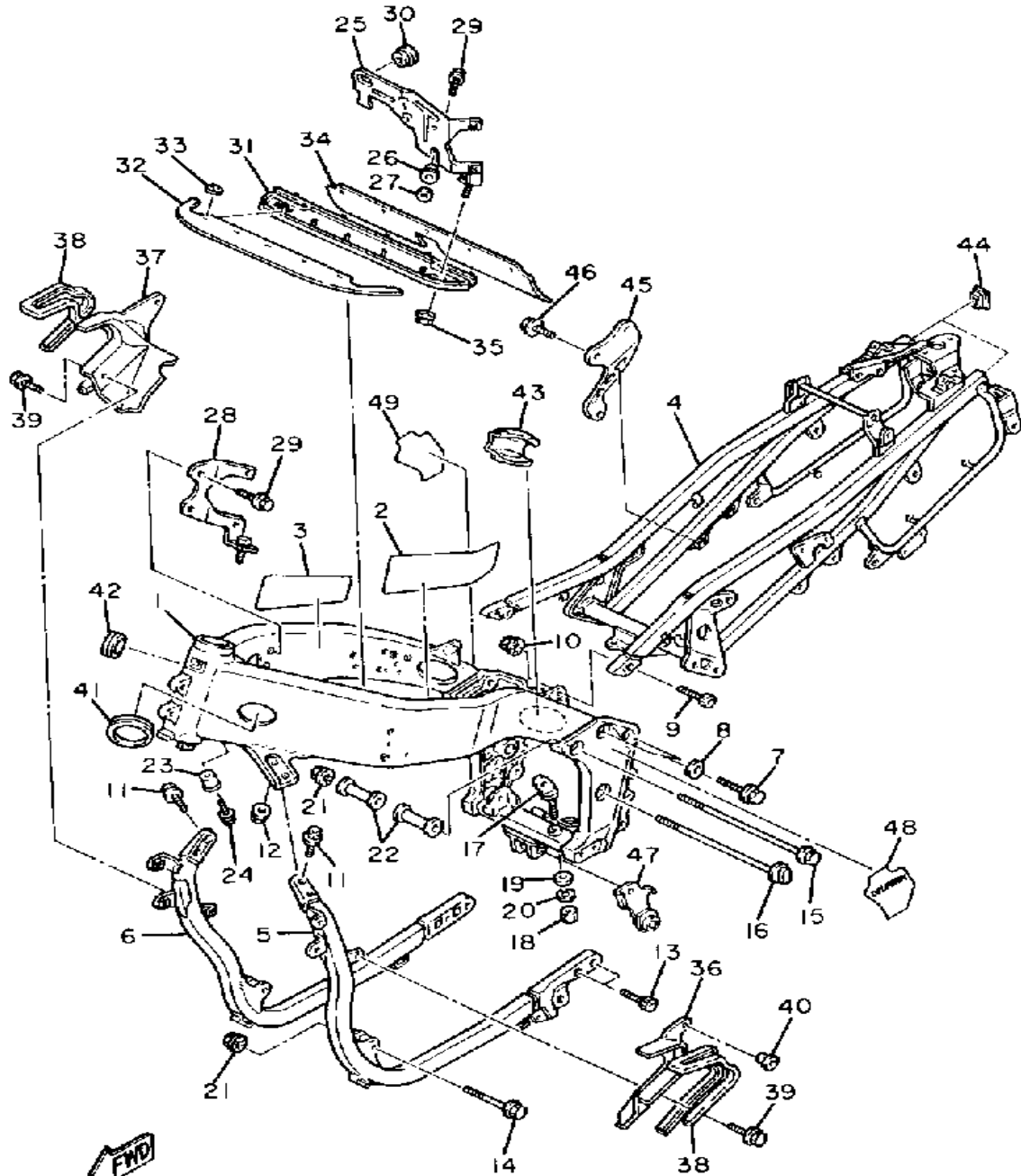
FRAME



Ref. No.	Part Number	Description	Qty	Remarks
1	3FH-21110-00-00	FRAME	1	
2	1WG-21277-00-00	SHEET 3	1	
3	1WG-21268-00-00	SEAL	1	
4	3FH-21190-01-35	FRAME, REAR	1	SILVER
5	3FH-21140-00-35	TUBE, DOWN	1	SILVER
6	1WG-21150-00-35	DOWN TUBE COMP 2	1	SILVER
7	91021-12030-00	BOLT, FLANGE	4	
8	90201-120K4-00	WASHER, PLATE	4	
9	91316-10030-00	BOLT, SOCKET HEAD	2	
10	95701-10500-00	NUT, FLANGE (95702-10500) ..	2	
11	90105-10436-00	BOLT, WASHER BASED	4	
12	95701-10500-00	NUT, FLANGE (95702-10500) ..	4	
13	91311-08025-00	BOLT, SOCKET HEAD	4	
14	95811-10080-00	BOLT, FLANGE	2	
15	91011-10295-00	BOLT, FLANGE	1	
16	91011-10165-00	BOLT, FLANGE	1	
17	1WG-21427-00-00	BRACKET, REAR LWR 1	1	
18	95303-12600-00	NUT	1	
19	92990-12200-00	WASHER, PLAIN	1	
20	92901-12100-00	WASHER, SPRING	1	
21	95701-10500-00	NUT, FLANGE (95702-10500) ..	4	
22	1WG-21459-00-00	SPACER	2	
23	1WG-2142M-00-00	BRACKET, RADIATOR 3	1	
24	91012-06016-00	BOLT, FLANGE (1WG)	1	
25	1WG-21147-00-00	BRACKET, AIR CLEANR	1	
26	90387-062M9-00	COLLAR	1	
27	90201-06067-00	WASHER, PLATE	1	
28	1WG-21148-00-00	BRACKET, AIR CLEANR	1	
29	91012-06016-00	BOLT, FLANGE (1WG)	4	

CONTINUED ON NEXT FRAME ►

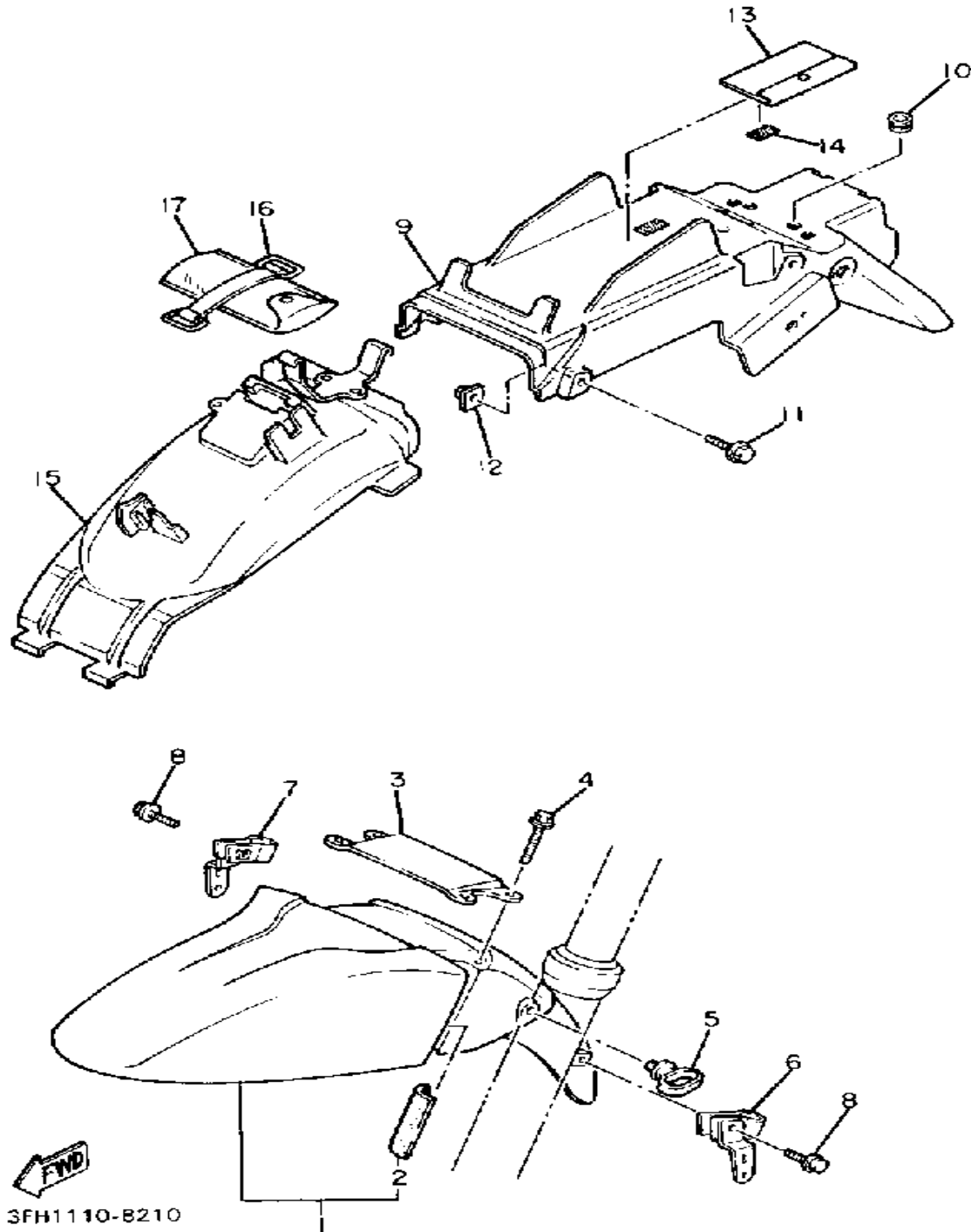
FRAME



3FH1110-8200

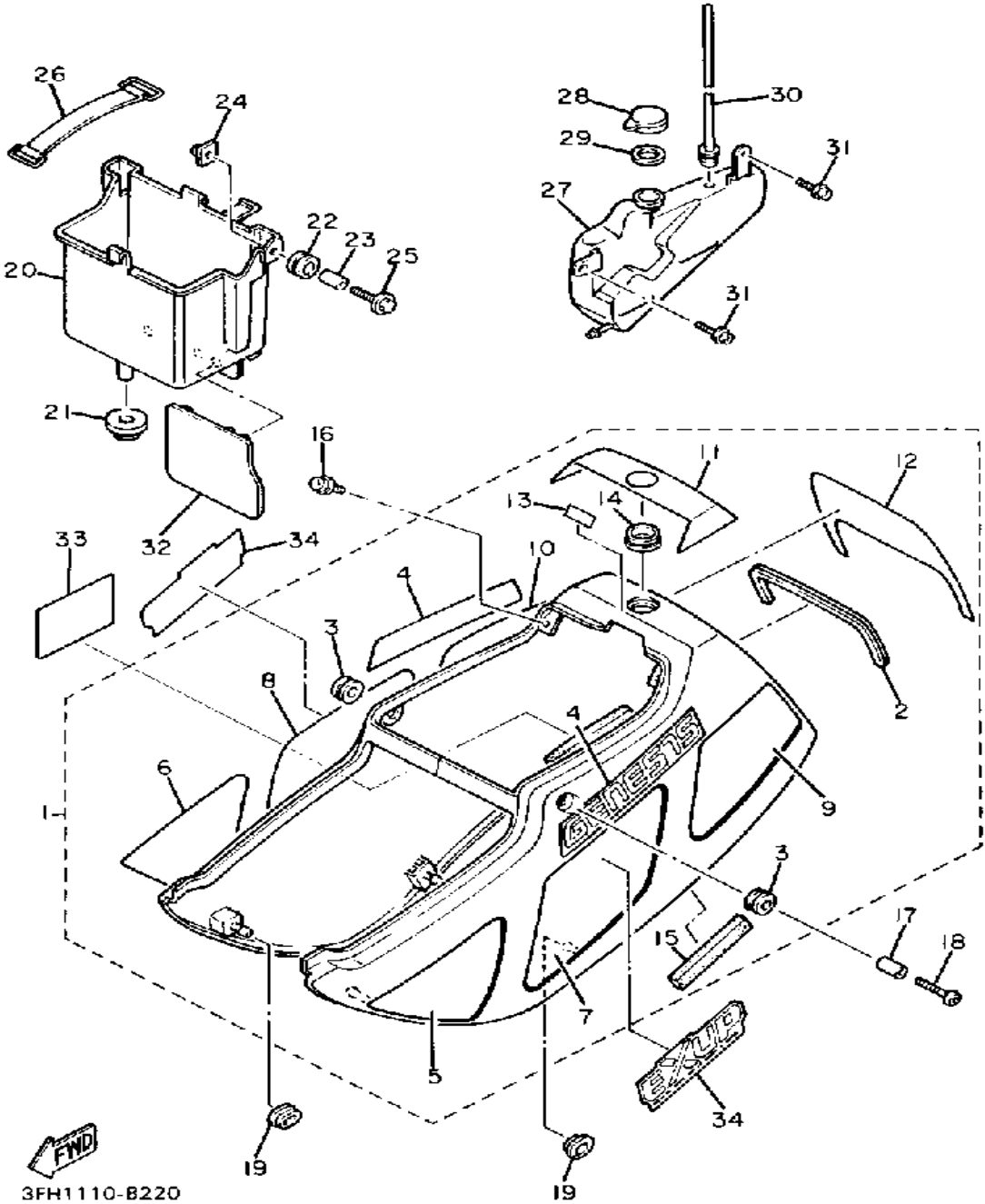
Ref. No.	Part Number	Description	Qty	Remarks
30	90480-18171-00	GROMMET	1	
31	1WG-2137Y-00-00	GUIDE, AIR	1	
32	1WG-2139R-00-00	COVER 2	1	
33	90183-05003-00	NUT, SPRING	5	
34	1WG-2139W-00-00	COVER	1	
35	95702-06600-00	NUT, FLANGE	2	
36	1WG-2137W-00-00	SCOOP, AIR 1	1	
37	1WG-2137X-00-00	SCOOP, AIR 2	1	
38	1WG-2139U-00-00	DAMPER 2	2	
39	90119-06093-00	BOLT, WITH WASHER	2	
40	90387-06681-00	COLLAR	1	
41	1WG-2117M-00-00	COVER 2	4	
42	1WG-2117N-00-00	COVER 3	2	
43	1WG-2117U-00-00	COVER 6	1	
44	1WG-2143A-00-00	CAP	2	
45	2TK-21445-00-00	STAY, MUFFLER 1	1	
46	95821-08025-00	BOLT, FLANGE	2	
47	2TK-21446-01-00	STAY, MUFFLER 2	1	
48	1WG-2119G-00-00	EMBLEM 3	1	
49	1WG-2119H-00-00	EMBLEM 4	1	

FENDER



Ref. No.	Part Number	Description	Qty	Remarks
1	3FH-21510-00-GE	FENDER, FRONT	1	SILKY WHITE
2	1KH-21717-00-00	. DAMPER, SIDE COVER (4N0-24181-00-00)	2	
3	46X-2313A-00-00	BRACE, FORK	1	
4	90105-06456-00	BOLT, WASHER BASED	4	
5	1A8-21518-00-00	HOLDER, CABLE	1	
6	3FH-25875-00-00	HOLDER, BRAKE HOSE 1	1	
7	3FH-25876-00-00	HOLDER, BRAKE HOSE 2	1	
8	95023-06025-00	BOLT, FLANGE	2	
9	3FH-21611-00-00	FENDER, REAR	1	
10	90480-11391-00	GROMMET	1	
11	91026-06012-00	BOLT, FLANGE (1VJ)	4	
12	31A-14477-00-00	PLATE	4	
13	4N0-28186-00-00	POUCH	1	
14	4K5-2814E-10-00	HOOK	2	
15	3BF-W2162-00-00	MUD GUARD	1	
16	116-82131-00-00	BAND, BATTERY	1	
17	1WG-W2810-00-00	TOOL KIT	1	

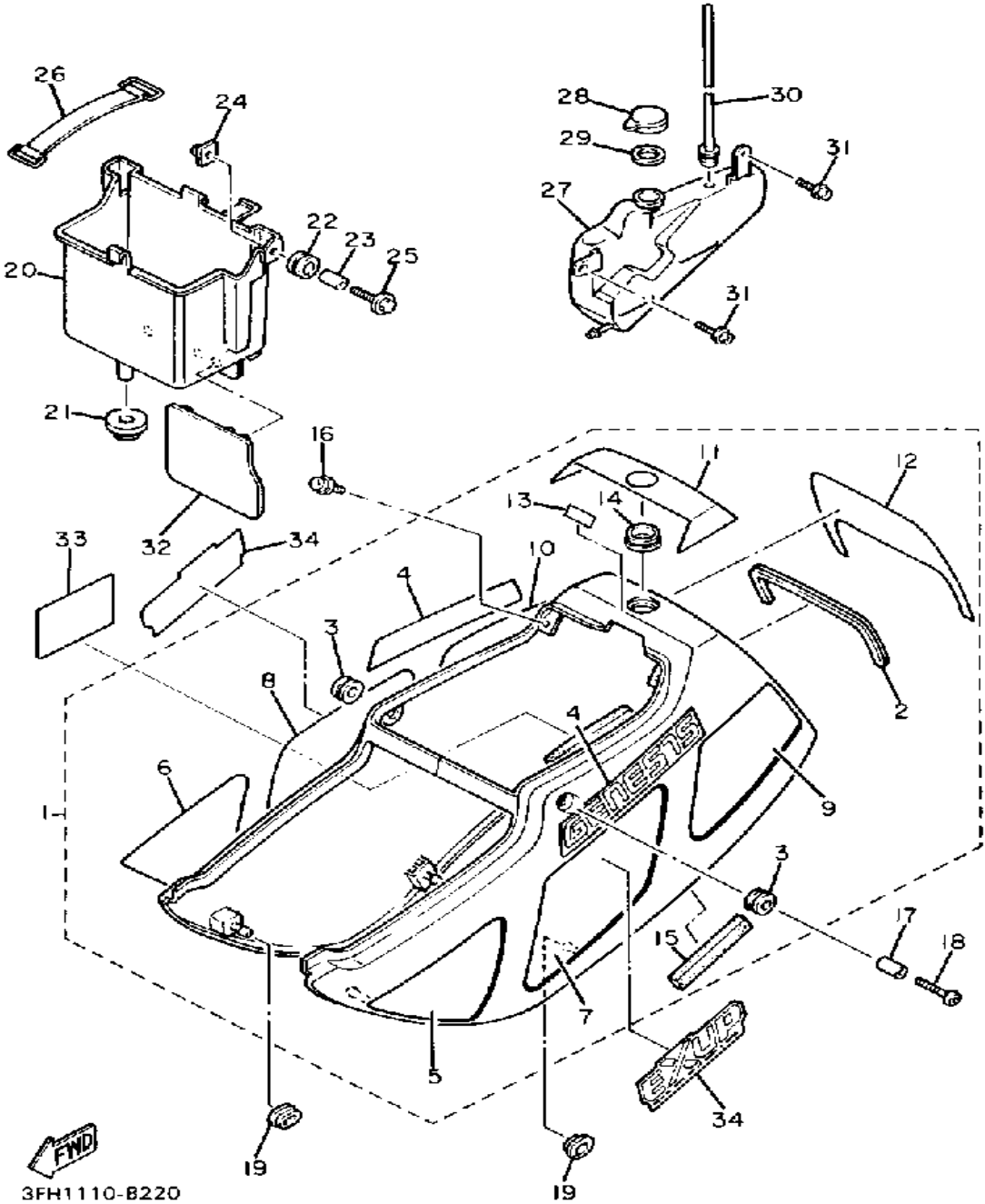
SIDE COVER



Ref. No.	Part Number	Description	Qty	Remarks
1	1WG-Y2171-00-GE	COVER SIDE 1	1	SILKY WHITE
2	36Y-28346-00-00	. MOLD 2	1	
3	90480-18495-00	. GROMMET	2	
4	1WG-21781-00-00	. EMBLEM 1	2	
5	1WG-2173E-01-00	. GRAPHIC	1	
6	1WG-2173F-01-00	. GRAPHIC	1	
7	1WG-2174G-01-00	. GRAPHIC 3	1	
8	1WG-2174H-01-00	. GRAPHIC 4	1	
9	1WG-2174J-00-00	. GRAPHIC 5	1	
10	1WG-2174K-00-00	. GRAPHIC 6	1	
11	1WG-21788-00-00	. GRAPHIC	1	
12	1WG-21789-00-00	. GRAPHIC	1	
13	1WG-21737-00-00	. EMBLEM	1	
14	14T-21773-00-00	. GROMMET	1	
15	1WG-21717-00-00	. DAMPER (1UY-21747-00-00)	2	
16	90159-06033-00	SCREW, WITH WASHER	2	
17	90387-113R1-00	COLLAR	2	
18	90110-06135-00	BOLT, HEX SKT HEADSOCKET HEAD	2	
19	90480-01401-00	GROMMET	4	
20	1WG-2177G-00-00	BOX, BATTERY	1	
21	90480-22362-00	GROMMET	1	
22	90480-14229-00	GROMMET	2	
23	90387-07391-00	COLLAR	2	
24	31A-14477-00-00	PLATE	2	
25	90119-06097-00	BOLT, WITH WASHER	2	
26	120-82131-00-00	BAND, BATTERY	1	
27	1WG-21871-00-00	TANK, RECOVERY	1	
28	4L0-21875-00-00	CAP	1	

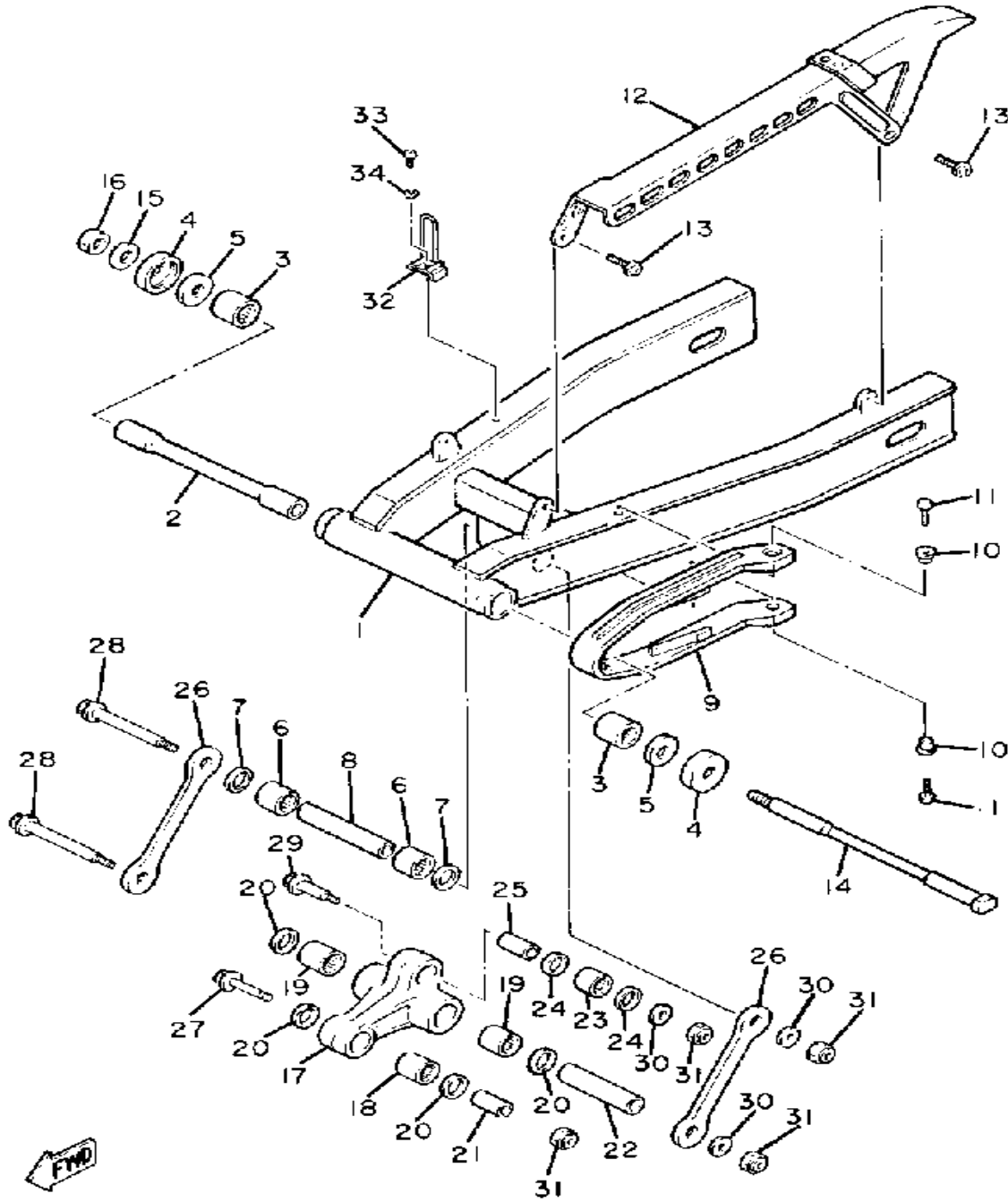
CONTINUED ON NEXT FRAME ►

SIDE COVER



Ref. No.	Part Number	Description	Qty	Remarks
29	1AA-21874-00-00	GASKET	1	
30	3GM-21816-00-00	PIPE 1	1	
31	90159-06056-00	SCREW, WITH WASHER	2	
32	34X-21691-00-00	FLAP	1	
33	3FH-2179R-00-00	PLATE, EPA CAL 2	1	
34	3FH-21782-00-00	EMBLEM 2	2	

SWING ARM

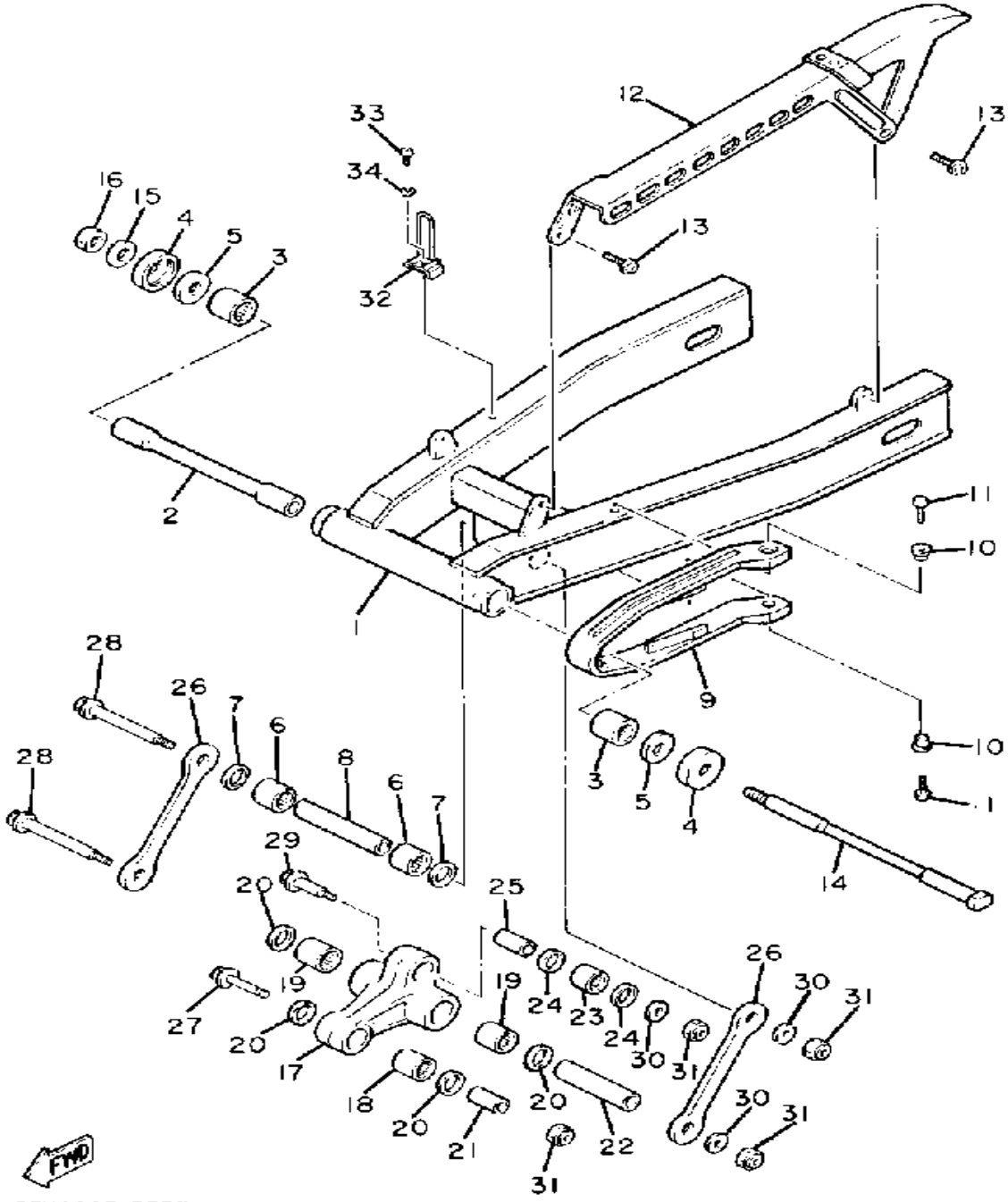


3FH1110-8230

Ref. No.	Part Number	Description	Qty	Remarks
1	3FH-22110-00-00	REAR ARM	1	
2	33M-22184-00-00	BUSH	1	
3	93320-32403-00	BEARING	2	
4	47X-22129-00-00	COVER, THRUST 2	2	
5	90201-161J2-00	WASHER, PLATE	2	
6	93317-21746-00	BEARING	2	
7	93109-17048-00	OIL SEAL (SDO 17-24-4)	2	
8	90387-122R5-00	COLLAR	1	
9	1WG-22151-00-00	SEAL, GUARD	1	
10	90387-06681-00	COLLAR	2	
11	90149-06011-00	SCREW	2	
12	1WG-22310-00-00	CHAIN CASE ASSEMBLY	1	
13	90159-06084-00	SCREW, WITH WASHER	2	
14	46X-22141-00-00	SHAFT, PIVOT	1	
15	90201-14740-00	WASHER, PLATE	1	
16	90185-14070-00	NUT, SELF-LOCKING	1	
17	(1WG-2217A-00-00)	ARM, RELAY	1	
18	93317-31701-00	BEARING	1	
19	93317-21746-00	BEARING	2	
20	93109-17048-00	OIL SEAL (SDO 17-24-4)	4	
21	90387-102R4-00	COLLAR	1	
22	90387-122R5-00	COLLAR	1	
23	93399-99919-00	BEARING	1	
24	93101-16131-00	OIL SEAL	2	
25	90387-124L0-00	COLLAR	2	
26	1WG-2217M-00-00	ARM 1	2	
27	90105-10376-00	BOLT, WASHER BASED	1	
28	90101-10658-00	BOLT	2	
29	90101-10659-00	BOLT	1	

CONTINUED ON NEXT FRAME ➤

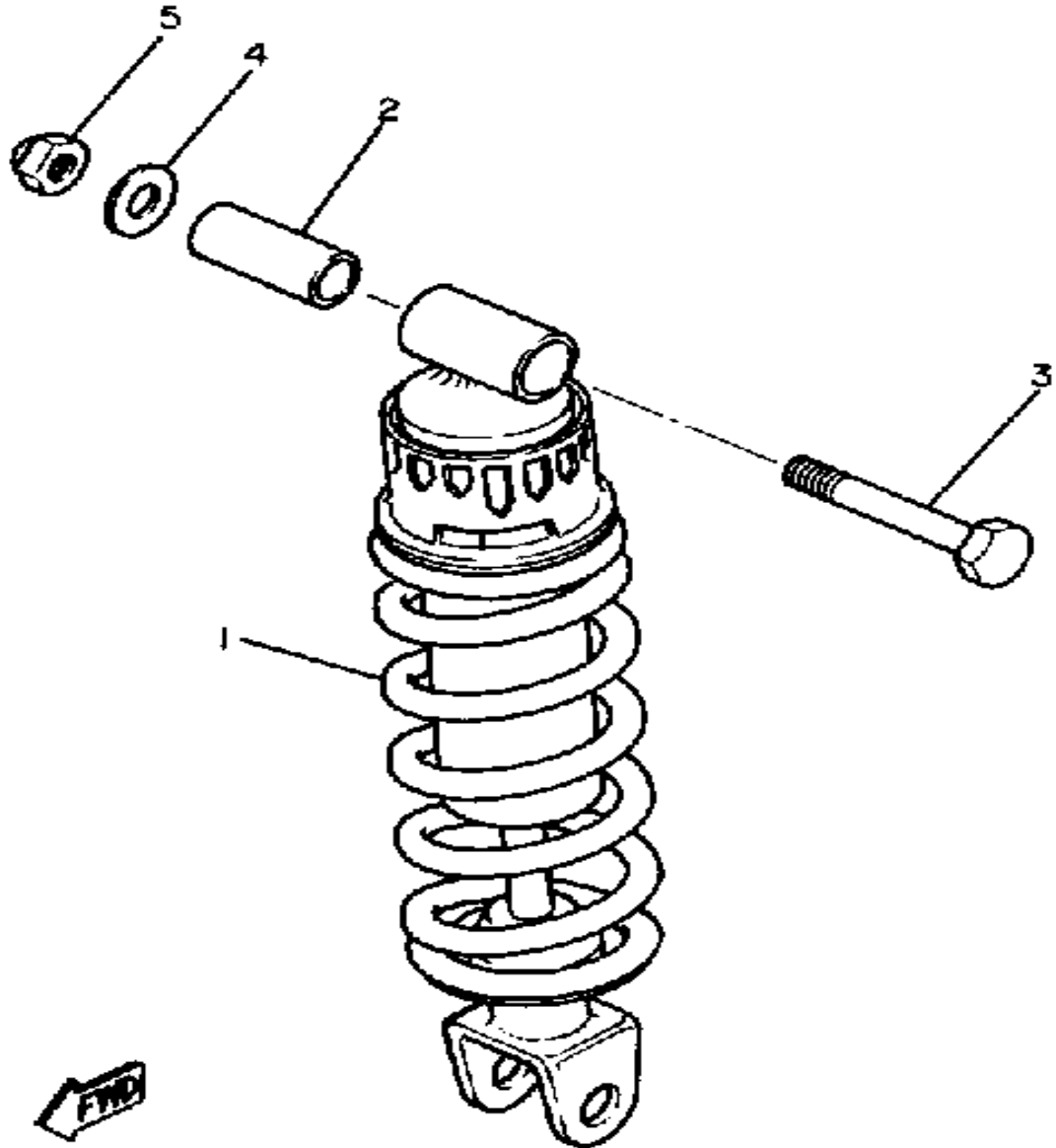
SWING ARM



Ref. No.	Part Number	Description	Qty	Remarks
30	90201-101J1-00	WASHER, PLATE	3	
31	95611-10100-00	NUT, U	4	
32	2GH-25875-50-00	HOLDER, BRKE HOSE 1	1	
33	98580-06020-00	SCREW	1	
34	92995-06100-00	WASHER, SPRING	1	

3FH1110-8230

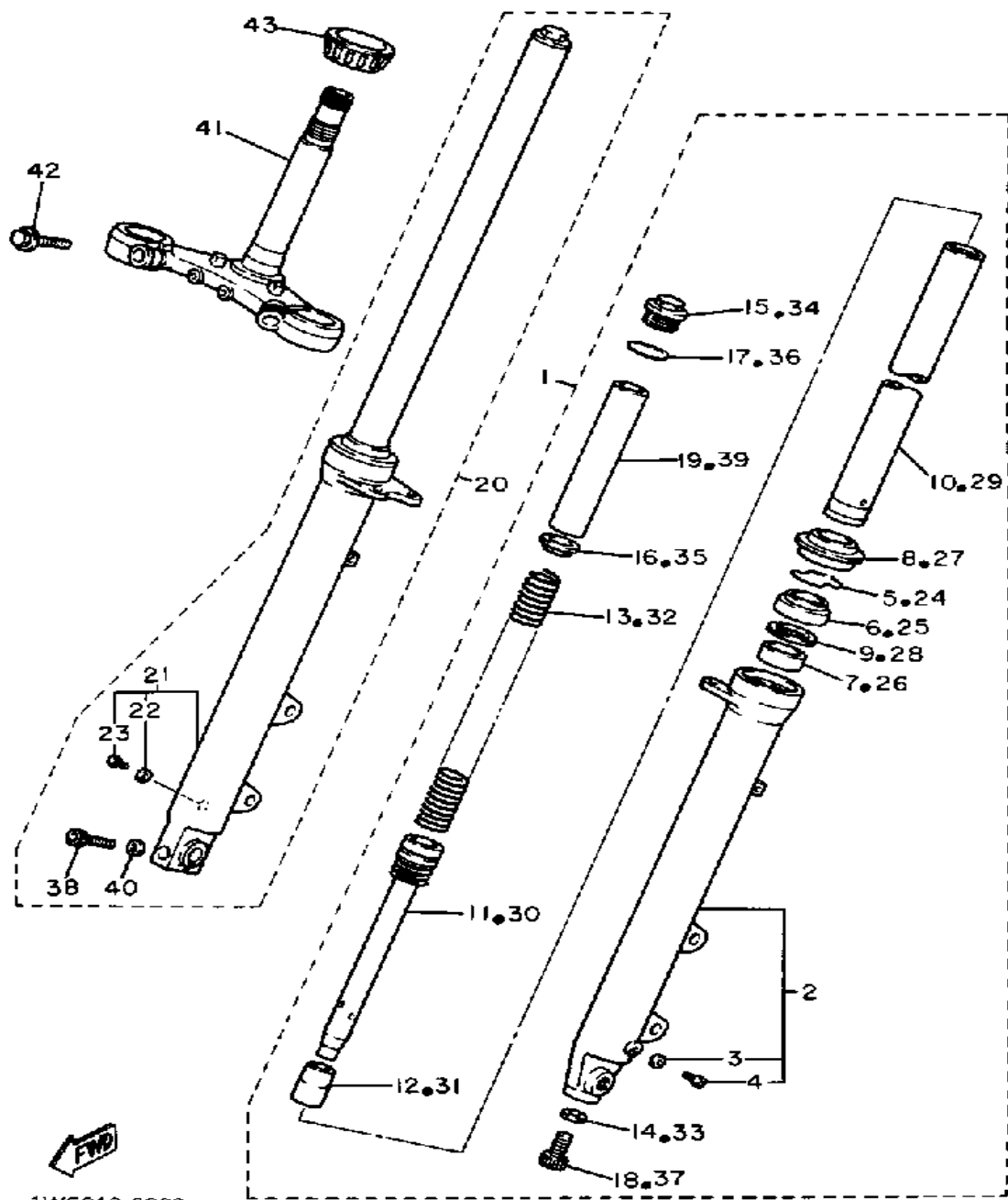
REAR SHOCKS



1WG010-6240

Ref. No.	Part Number	Description	Qty	Remarks
1	3FH-22210-00-00	SHK/ABS ASSEMBLY, REARASSEMBLY, REAR	1	
2	90387-124T2-00	COLLAR	1	
3	90109-10554-00	BOLT	1	
4	90201-101J1-00	WASHER, PLATE	1	
5	95601-10100-00	NUT, U (95602-10100-00)	1	

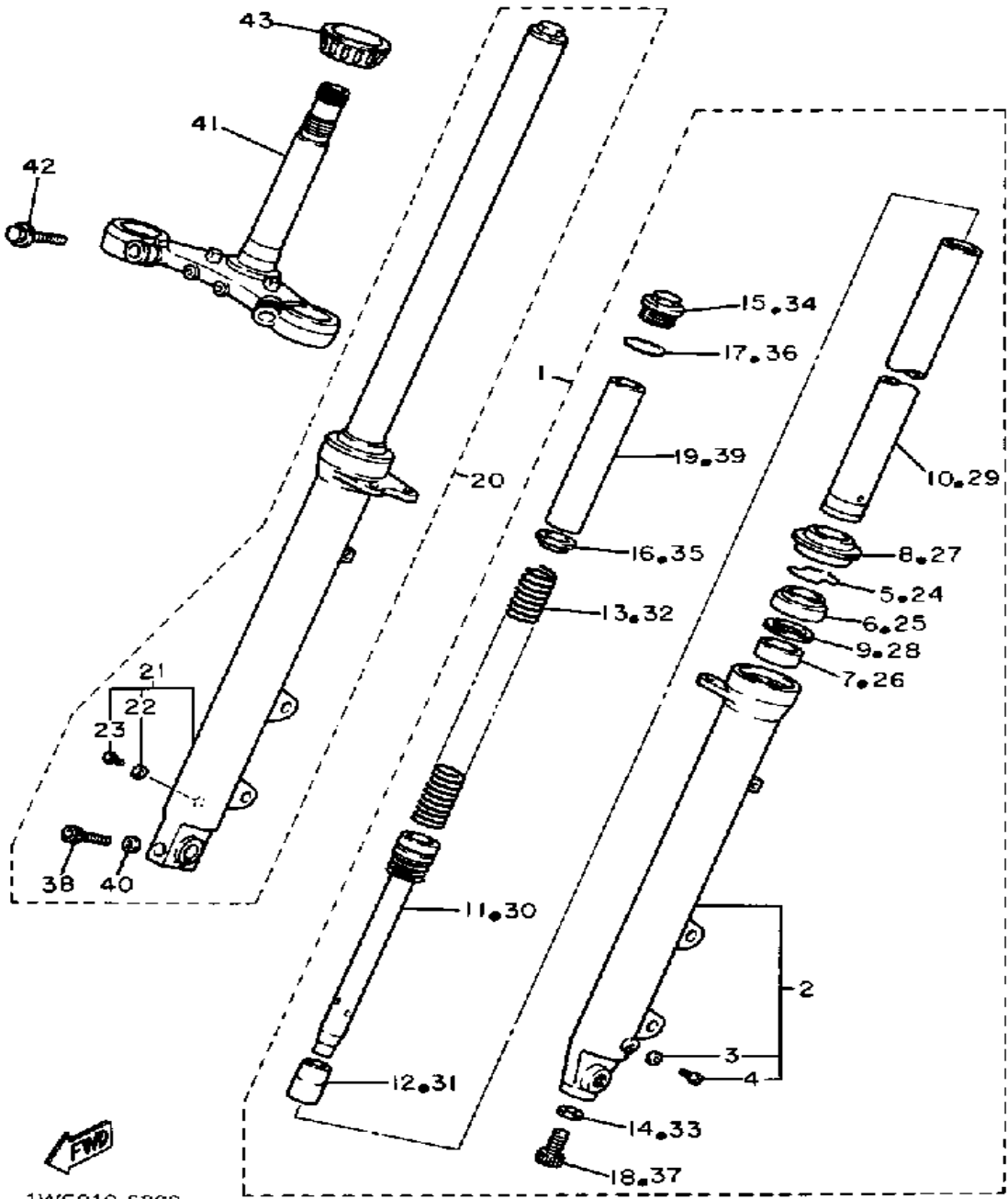
FRONT FORK



Ref. No.	Part Number	Description	Qty	Remarks
1	1WG-23102-00-00	FRONT FORK ASSEMBLY L (L.H)	1	
2	1WG-23126-00-00	. TUBE, OUTER 1	1	
3	122-23129-00-00	.. GASKET, DRAIN PLUG	1	
4	4H7-23119-00-00	.. PLUG, DRAIN - (122-23119-01)	1	
5	3R4-23153-00-00	. RING, SNAP	1	
6	3EN-23145-00-00	. OIL SEAL	1	
7	2YK-23125-00-00	. METAL, SLIDE 1	1	
8	3EN-23144-00-00	. SEAL, DUST	1	
9	4V2-23146-L0-00	. WASHER, OIL SEAL	1	
10	3BF-23110-50-00	. INNER TUBE COMP. 1	1	
11	1WG-23170-00-00	. CYLINDER, FRTRFRKFRONT FORK	1	
12	(3R4-23173-L0-00)	SPINDLE, TAPER	1	
13	1WG-23141-00-00	. SPRING, FRONT FORK	1	
14	2K8-23158-L0-00	. GASKET	1	
15	3EN-23111-00-00	. BOLT, CAP	1	
16	1FK-23142-00-00	. SEAT, SPRING UPPER	1	
17	1W4-23114-L0-00	. GASKET	1	
18	3R4-23181-L0-00	. BOLT, HEX SCKT HEADSOCKET HEAD	1	
19	1WG-23118-00-00	. SPACER	1	
20	1WG-23103-00-00	FRONT FORK ASSEMBLY R (R.H)	1	
21	1WG-23136-00-00	. TUBE, OUTER 2	1	
22	122-23129-00-00	.. GASKET, DRAIN PLUG	1	
23	4H7-23119-00-00	.. PLUG, DRAIN - (122-23119-01)	1	
24	3R4-23153-00-00	. RING, SNAP	1	
25	3EN-23145-00-00	. OIL SEAL	1	

CONTINUED ON NEXT FRAME ►

FRONT FORK

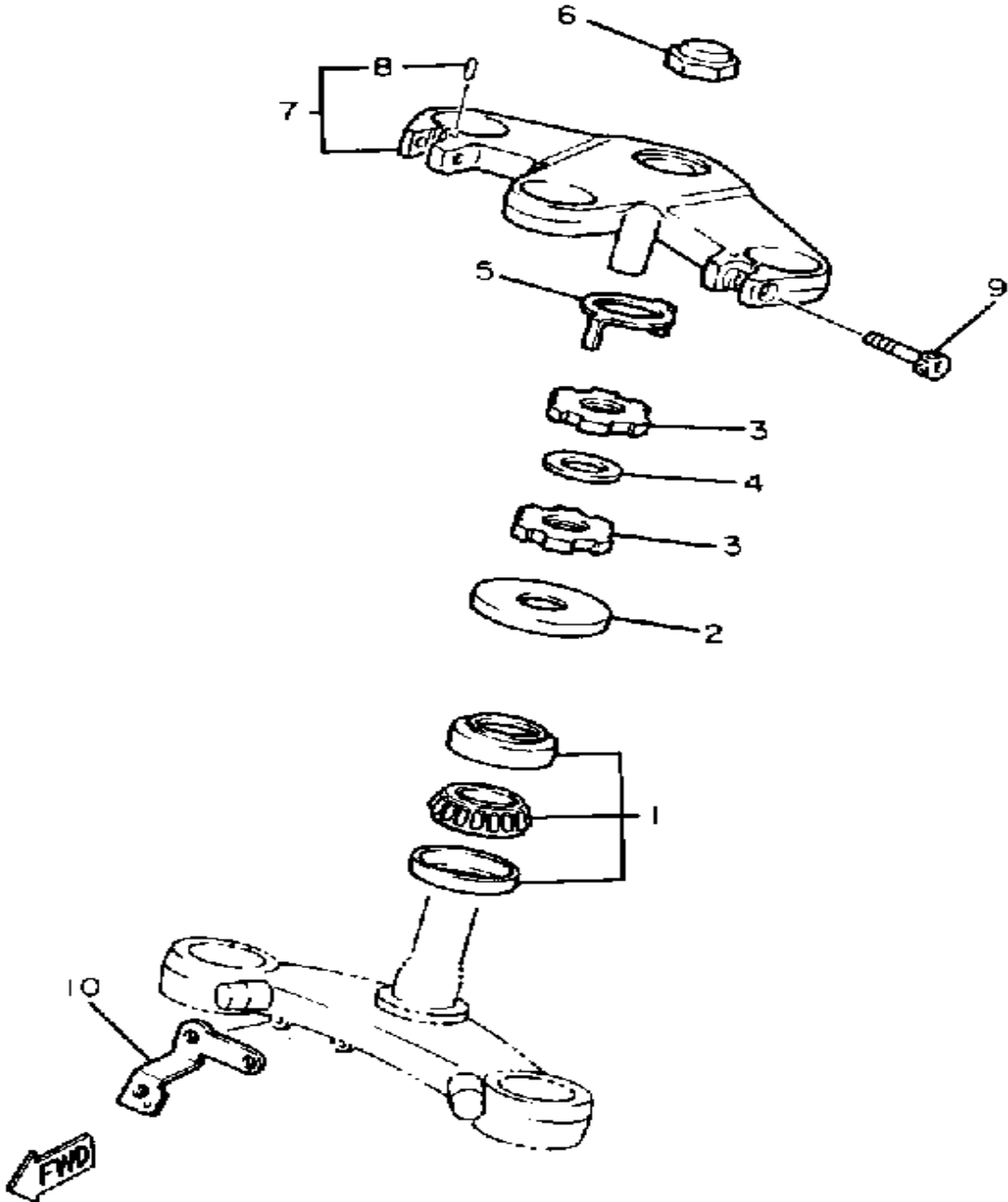


Ref. No.	Part Number	Description	Qty	Remarks
26	2YK-23125-00-00	. METAL, SLIDE 1	1	
27	3EN-23144-00-00	. SEAL, DUST	1	
28	4V2-23146-L0-00	. WASHER, OIL SEAL	1	
29	3BF-23110-50-00	. INNER TUBE COMP. 1	1	
30	1WG-23170-00-00	. CYLINDER, FRTRFRKFRONT FORK	1	
31	(3R4-23173-L0-00)	SPINDLE, TAPER	1	
32	1WG-23141-00-00	. SPRING, FRONT FORK	1	
33	2K8-23158-L0-00	. GASKET	1	
34	3EN-23111-00-00	. BOLT, CAP	1	
35	1FK-23142-00-00	. SEAT, SPRING UPPER	1	
36	1W4-23114-L0-00	. GASKET	1	
37	3R4-23181-L0-00	. BOLT, HEX SCKT HEADSOCKET HEAD	1	
38	91311-08040-00	. BOLT, SOCKET HEAD	1	
39	1WG-23118-00-00	. SPACER	1	
40	90201-08085-00	. WASHER, PLATE	1	
41	1WG-23340-00-00	UNDER BRACKET COMP.	1	
42	2NX-23356-00-00	BOLT 2	2	
43	93332-00001-00	BEARING	1	

1WG010-6260

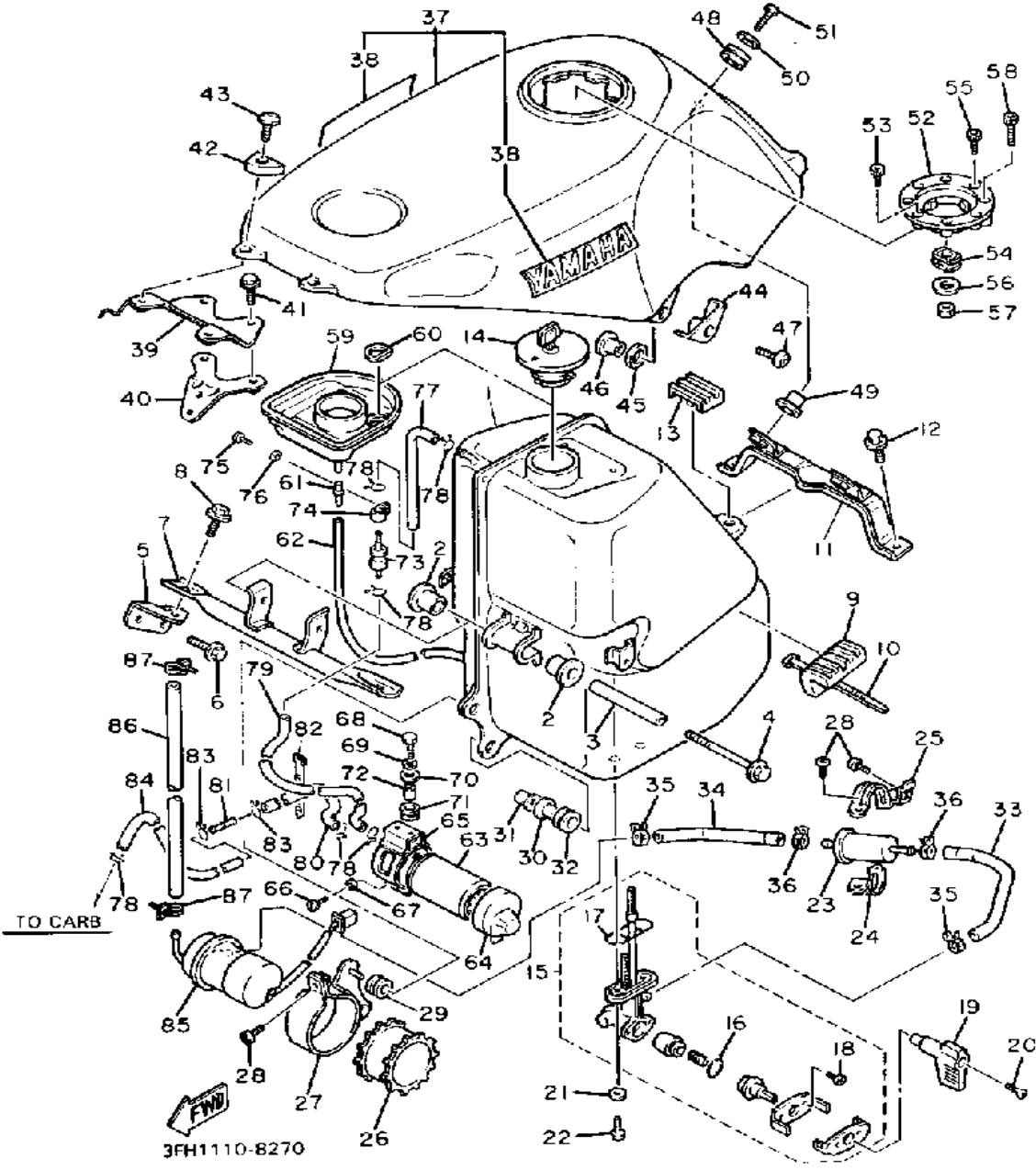
STEERING

Ref. No.	Part Number	Description	Qty	Remarks
1	93332-00008-00	BEARING	1	
2	3EN-23415-00-00	COVER, BALL RACE 1	1	
3	90179-25033-00	NUT	2	
4	90202-26142-00	WASHER, PLATE	1	
5	26H-23418-01-00	WASHER, SPECIAL	1	
6	90176-22050-00	NUT, CROWN	1	
7	1WG-23435-00-00	CROWN, HANDLE	1	
8	91609-40210-00	. PIN, SPRING	2	
9	91316-08030-00	BOLT, SOCKET HEAD	2	
10	1WG-2317E-00-00	STAY	1	



38F1110-B250

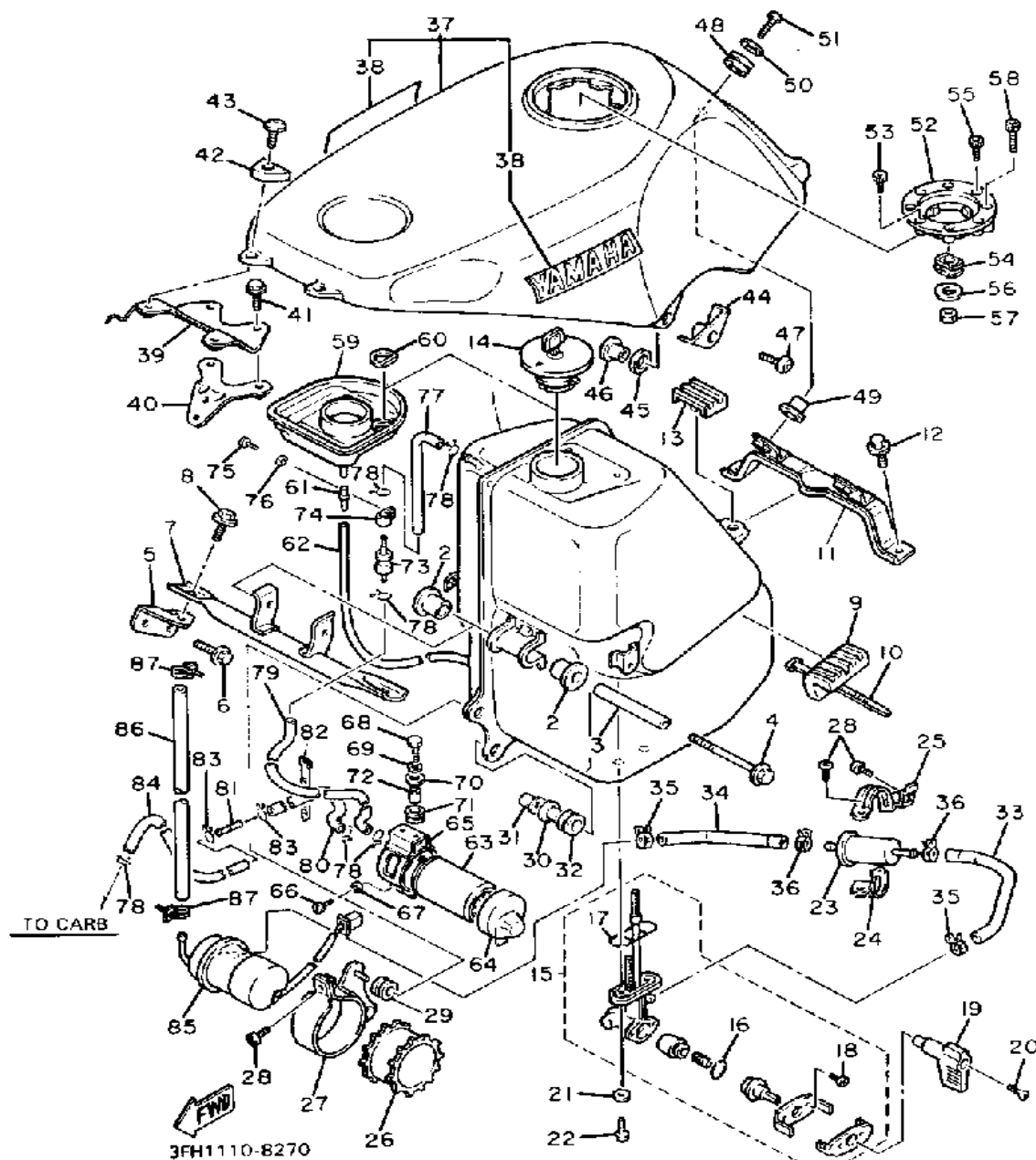
FUEL TANK



Ref. No.	Part Number	Description	Qty	Remarks
1	3FH-24110-00-00	FUEL TANK	1	
2	1HX-24181-00-00	DAMPER, LOCATING 1	2	
3	90387-06380-00	COLLAR	1	
4	95811-06080-00	BOLT, FLANGE	1	
5	(1WG-21346-00-00)	BRACKET, TANK FTNG	2	
6	95811-06016-00	BOLT, FLANGE (95822-06016)	4	
7	1WG-21345-00-00	BRACKET, TANK FITTING	1	
8	95811-08016-00	BOLT, FLANGE	2	
9	1HX-24182-00-00	DAMPER, LOCATING 2	2	
10	90465-13169-00	CALMP	2	
11	1WG-21348-00-00	BRACKT, TANK FITTING	1	
12	95811-06016-00	BOLT, FLANGE (95822-06016)	2	
13	1WG-24185-00-00	DAMPER, LOCATING 5	1	
14	3FH-24602-00-00	CAP ASSEMBLY	1	
15	1WG-24500-00-00	FUEL COCK ASSEMBLY 1	1	
16	4X8-24534-00-00	. SEAL, COCK	1	
17	4X8-24512-00-00	. O-RING	1	
18	98580-03008-00	. SCREW, PAN HEAD	2	
19	1WG-24524-00-00	LEVER, COCK	1	
20	98606-04016-00	SCREW, OVAL HEAD	1	
21	90202-05187-00	WASHER, PLATE	2	
22	90149-06011-00	SCREW	2	
23	1FK-24560-00-00	FILTER ASSEMBLY	1	
24	26H-24568-00-00	BAND, FILTER	1	
25	1WG-24566-00-00	BRACKET, FILTER	1	
26	1WG-24398-01-00	BAND 1	1	
27	1WG-24491-01-00	BRACKET, FUEL PUMP	1	
28	98906-05014-00	SCREW, BIND	3	
29	90480-14229-00	GROMMET	1	

CONTINUED ON NEXT FRAME ➤

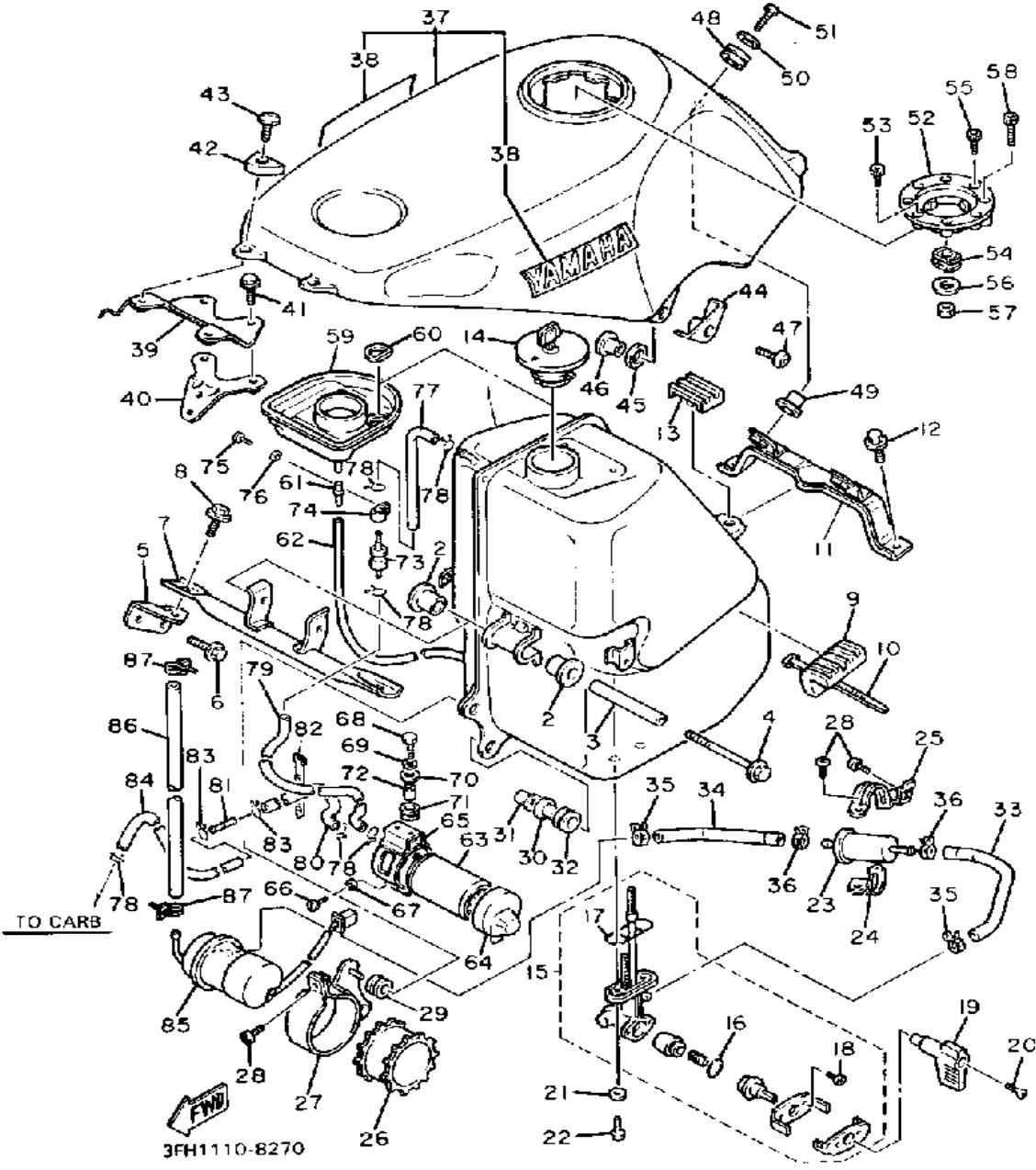
FUEL TANK



Ref. No.	Part Number	Description	Qty	Remarks
30	90387-07391-00	COLLAR	1	
31	90179-06500-00	NUT	1	
32	90480-11454-00	GROMMET	1	
33	1WG-24311-00-00	PIPE, FUEL 1	1	
34	1WG-24312-00-00	PIPE 2	1	
35	90467-10091-00	CLIP, SCISSOR	2	
36	90467-11044-00	CLIP	2	
37	1WG-W217A-00-0X	COVER, TOP	1	SILKY WHITE FINE RED
38	99224-00040-00	. EMBLEM, YAMAHA YAMAHA (BLACK)	2	
39	3FH-24364-00-00	STAY	1	
40	3BF-24158-00-00	STAY, FUEL TANK 2	1	
41	95811-06012-00	BOLT, FLANGE	2	
42	1WG-24183-00-00	DAMPER, LOCATING 3	2	
43	90154-06040-00	SCREW, BINDING	2	
44	1WG-24184-00-00	DAMPER, LOCATING 4	2	
45	1WG-2414H-00-00	TRIM, COVER PANEL	2	
46	90387-112R6-00	COLLAR	2	
47	90149-06246-00	SCREW, SPEC'L SHAPE	2	
48	90480-18495-00	GROMMET	2	
49	90387-112R6-00	COLLAR	2	
50	90201-06697-00	WASHER, PLATE	2	
51	98511-06025-00	SCREW PAN HEAD (92501-06025)	2	
52	1WG-24614-00-00	PLATE, CAP	1	
53	90110-06134-00	BOLT, HEXAGON SOCKET HEAD	3	
54	1WG-24665-00-00	DAMPER	3	
55	90110-06133-00	BOLT, HEXAGON SOCKET HEAD	3	

CONTINUED ON NEXT FRAME ►

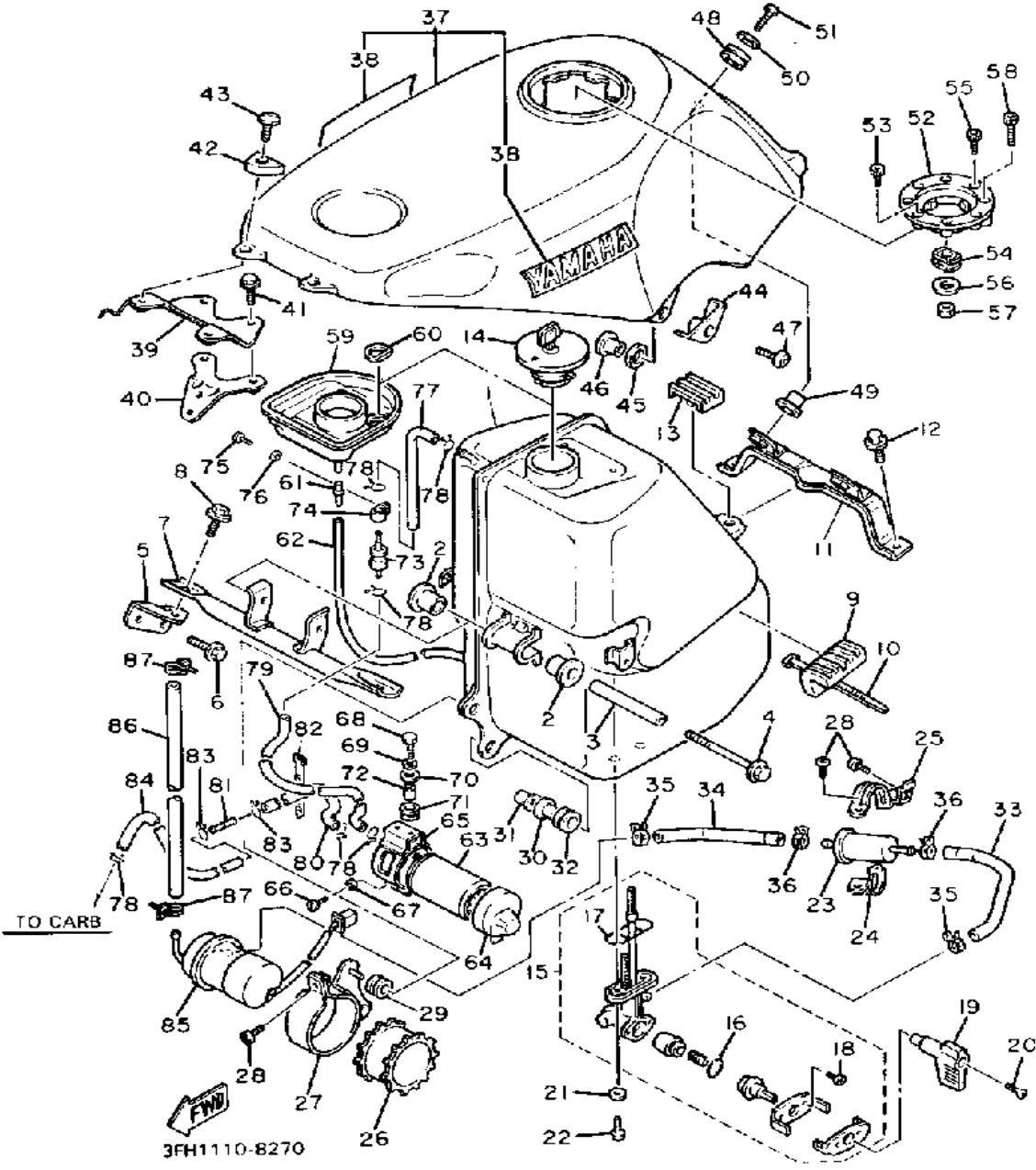
FUEL TANK



Ref. No.	Part Number	Description	Qty	Remarks
56	90201-06067-00	WASHER, PLATE	3	
57	95380-06600-00	NUT	3	
58	90110-06132-00	BOLT, HEX SKT HEADSOCKET HEAD	2	
59	1WG-2414A-00-00	COVER, FILLER	1	
60	1WG-24622-00-00	WASHER, RING	2	
61	90560-03220-00	SPACER	1	
62	90445-070F1-00	HOSE	1	
63	3FH-24170-00-00	CANISTER ASSEMBLY	1	
64	(2JU-2419E-00-00)	COVER, CANISTER	1	
65	(3FH-24190-00-00)	CANISTER HOLDER	1	
66	98516-05012-00	SCREW, PAN HEAD 4CG	2	
67	92906-05100-00	WASHER, SPRING	2	
68	97016-06020-00	BOLT	2	
69	92906-06100-00	WASHER, SPRING	2	
70	90201-06067-00	WASHER, PLATE	2	
71	90480-15058-00	GROMMET	2	
72	90387-060E7-00	COLLAR	2	
73	25H-24180-00-00	ROLL OVER VALVE ASSEMBLY	1	
74	90461-15100-00	CLAMP	1	
75	98580-05010-00	SCREW, PAN HEAD	1	
76	92901-05600-00	WASHER, PLATE	1	
77	3FH-24313-00-00	PIPE 3	1	
78	90467-10008-00	CLIP	6	
79	90445-11706-00	HOSE	1	
80	90445-11501-00	HOSE	1	
81	42H-24119-00-00	TUBE, CONNECTING	1	
82	90464-12089-00	CLAMP	1	

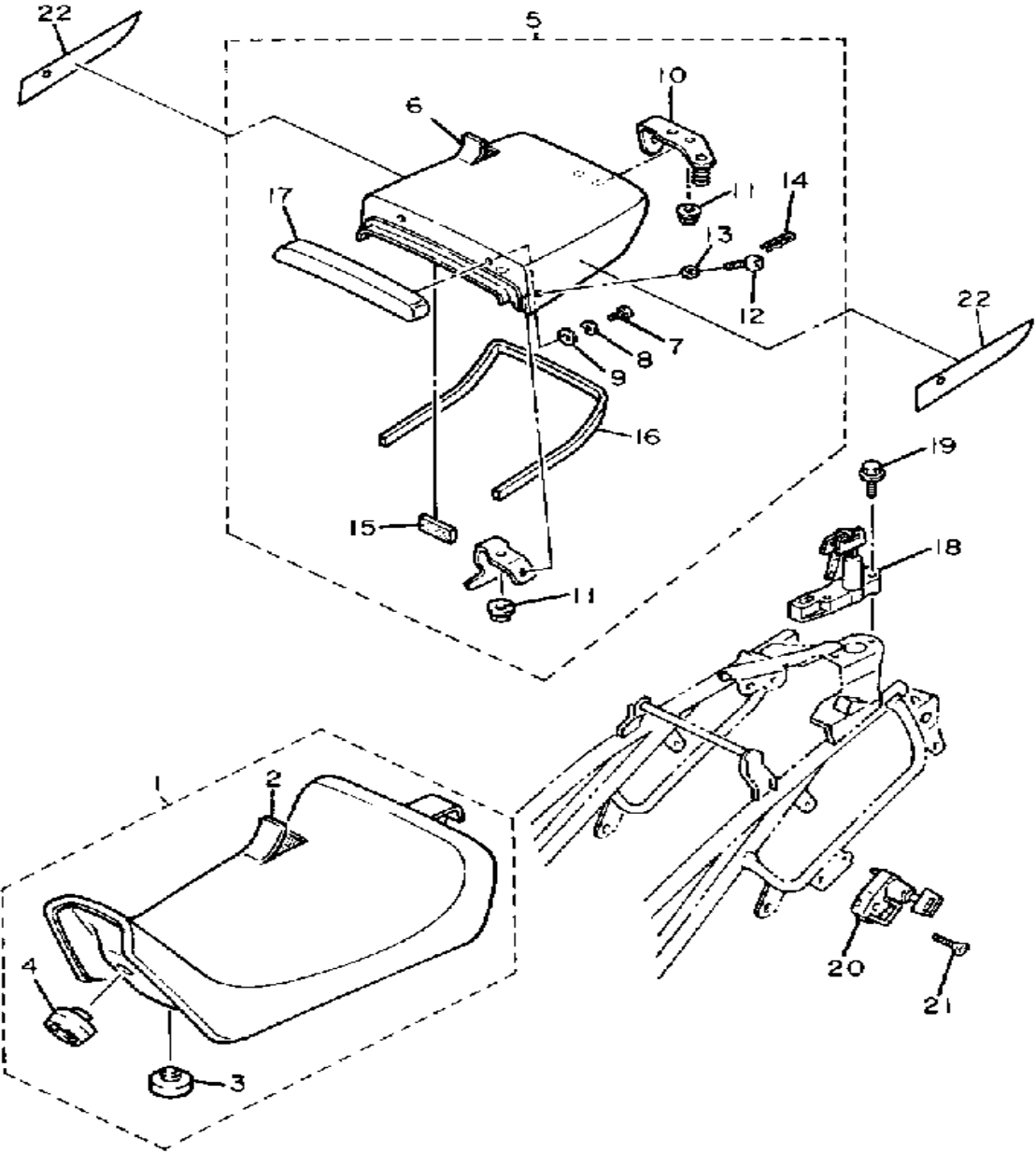
CONTINUED ON NEXT FRAME ►

FUEL TANK



Ref. No.	Part Number	Description	Qty	Remarks
83	90467-10008-00	CLIP	2	
84	90445-11735-00	HOSE	1	
85	1WG-13907-00-00	FUEL PUMP COMP.	1	
86	90445-126E7-00	HOSE	1	
87	90460-12256-00	CLAMP, HOSE	2	

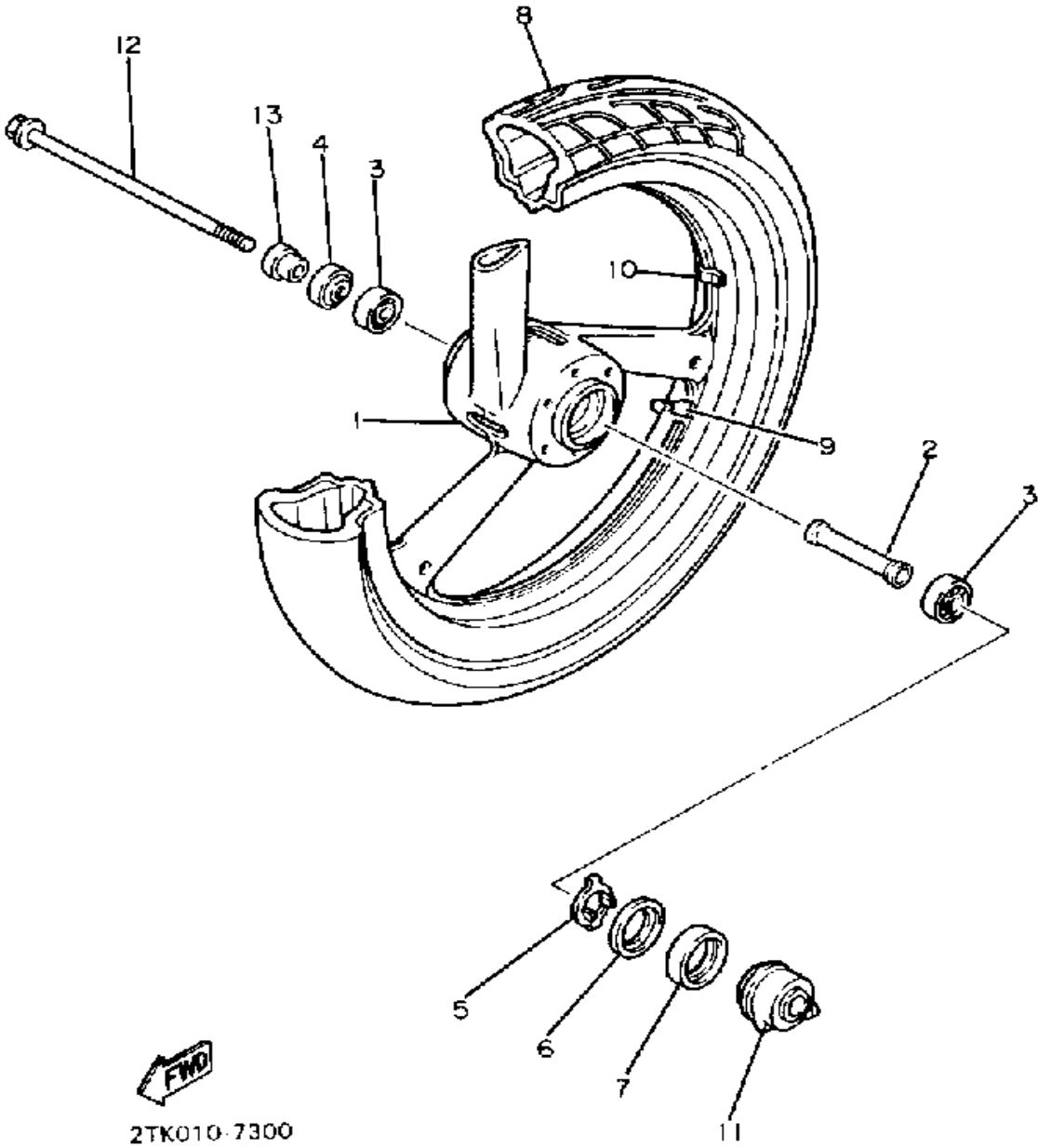
SEAT



3FH1110-8280

Ref. No.	Part Number	Description	Qty	Remarks
1	1WG-24710-00-00	SINGLE SEAT ASSEMBLY	1	
2	1WG-24711-00-00	. COVER, SINGLE SEAT	1	
3	116-24741-00-00	. PAD, SEAT	1	
4	1T4-24741-00-00	. PAD, SEAT	1	
5	3FH-2477A-00-LN	SEAT COVER ASSEMBLY.	1	FINE RED
6	1WG-24791-50-LN	. COVER, SEAT BACK	1	
7	98511-06012-00	. SCREW, PAN HEAD	2	
8	92995-06100-00	. WASHER, SPRING	2	
9	90201-065F3-00	. WASHER, PLATE	2	
10	46X-24754-00-00	. HOOK, SEAT	1	
11	95701-06500-00	. NUT, FLANGE	3	
12	(90110-06089-00)	BOLT, HEX SKT HEAD	2	
13	90202-06136-00	. WASHER, PLATE	2	
14	90468-10050-00	. CLIP	2	
15	1WG-24723-00-00	. DAMPER, SEAT	1	
16	(3FH-24724-00-00)	DAMPER, SEAT	1	
17	1WG-2840F-50-00	. BACK REST ASSEMBLY	1	
18	2AX-24705-00-00	SEAT LOCK ASSEMBLY	1	
19	95811-06010-00	BOLT, FLANGE	2	
20	26H-21308-00-00	HELMET HANGER ASSEMBLY (4R8-21308-00)	1	
21	90149-06154-00	SCREW	1	
22	1WG-2477L-50-00	GRAPHIC, TAIL COVER	1	

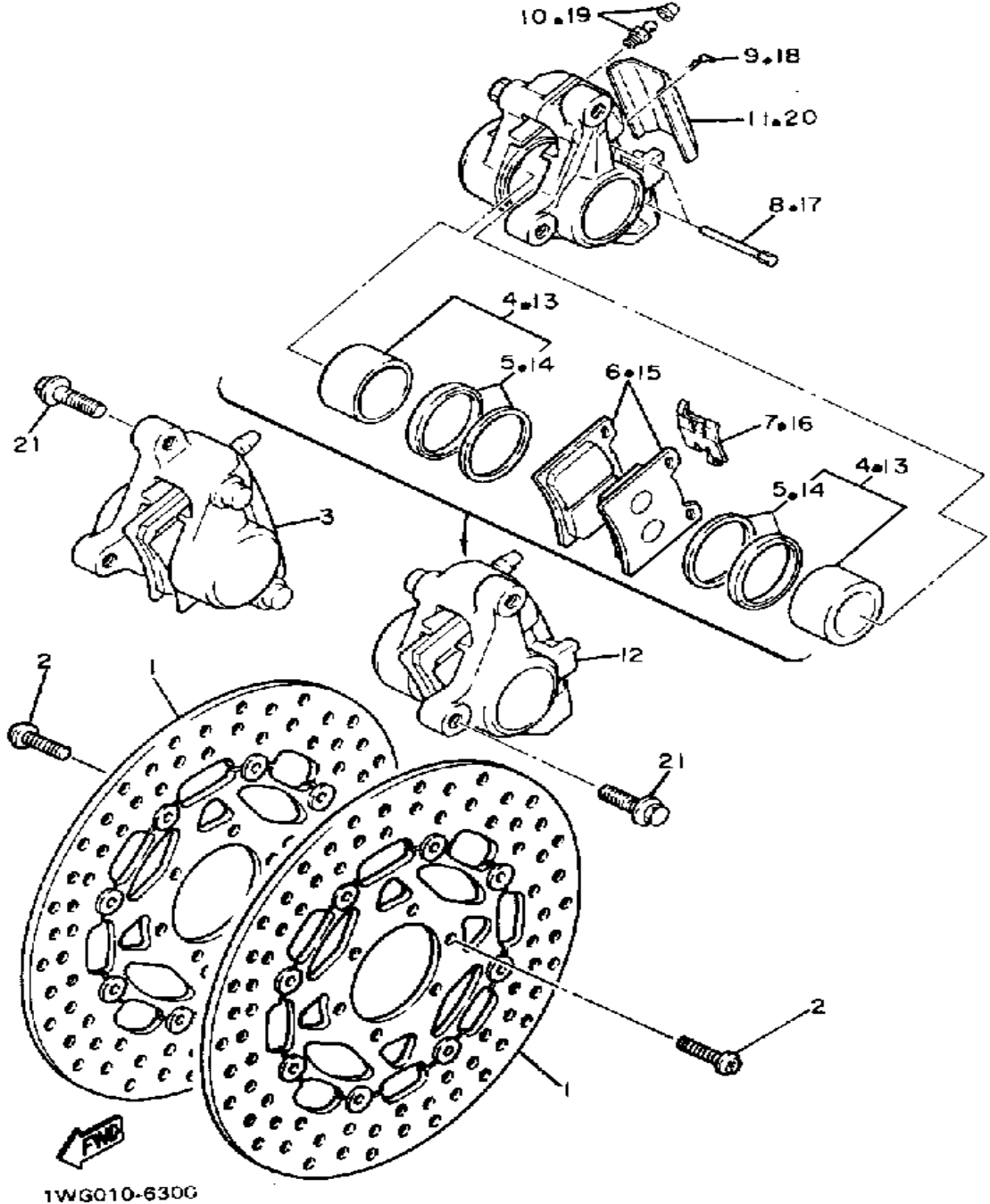
FRONT WHEEL



Ref. No.	Part Number	Description	Qty	Remarks
1	1WG-25168-00-UA	WHEEL, CAST FRONT	1	CAST WHEEL WHITE
2	90560-15314-00	SPACER	1	
3	93306-30202-00	BEARING	2	
4	93102-22014-00	OIL SEAL	1	
5	341-25149-00-00	CLUTCH, METER	1	
6	341-25846-00-00	RETAINER, CLUTCH	1	
7	93105-45017-00	OIL SEAL	1	
8	94111-170U9-00	110/70R-17 CY03ABS	1	
	94111-170U9-00	110/70R-17 CY03ABS	1	BRIDGESTONE TAIHEIYO
9	93900-00030-00	VALVE, RIM	1	
10	29L-25398-00-00	BALANCER, WHEEL (10G)	1	UR
	29L-25398-10-00	BALANCER, WHEEL (20G)	1	UR
	29L-25398-20-00	BALANCER, WHEEL (30G)	1	UR
11	1WG-25190-00-00	GEAR UNIT ASSEMBLY	1	
12	42X-25181-00-00	AXLE, WHEEL	1	
13	90387-15550-00	COLLAR	1	

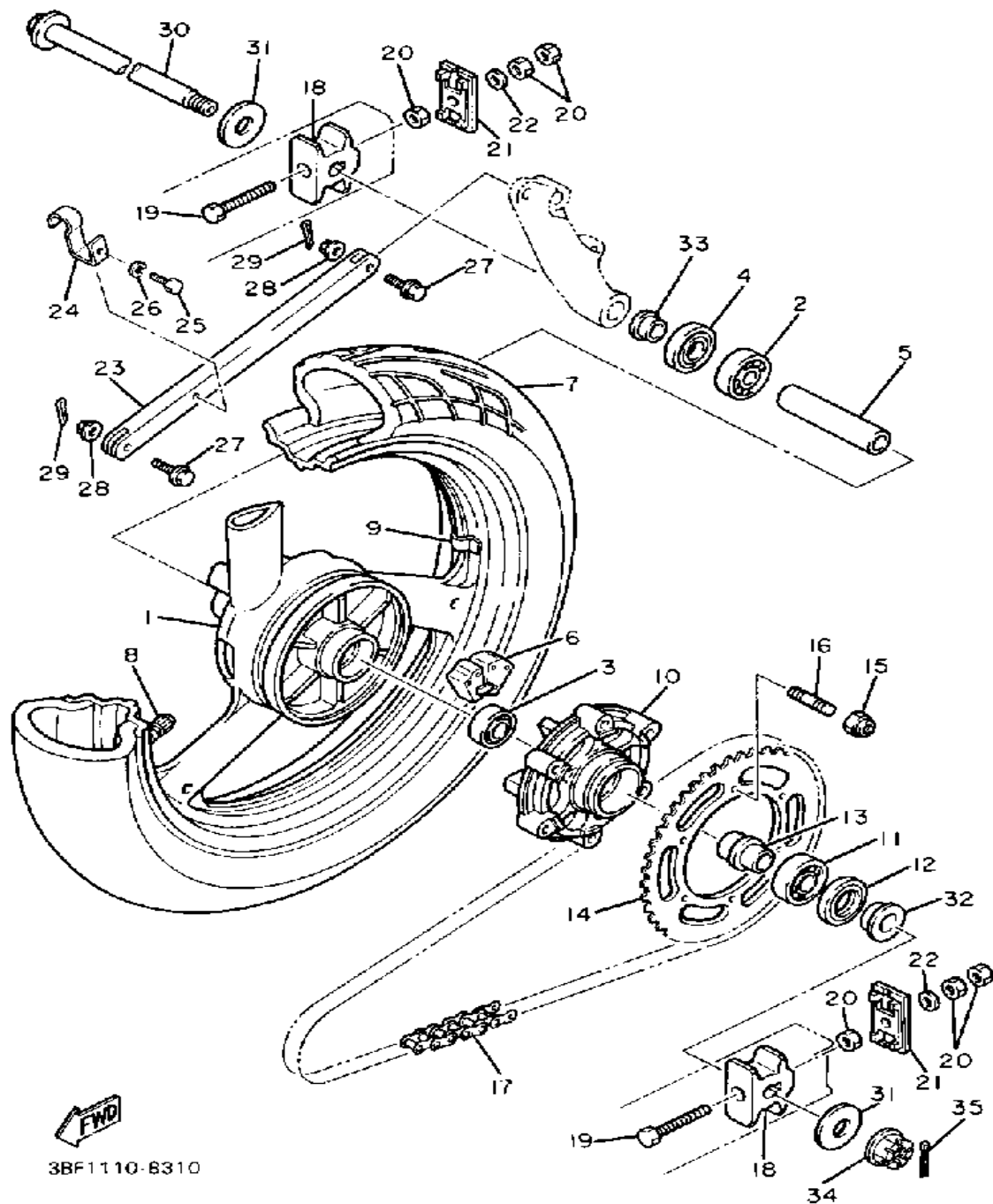
FWD
2TK010-7300

FRONT BRAKE CALIPER



Ref. No.	Part Number	Description	Qty	Remarks
1	1WG-25830-02-00	DISC BRAKE ASSEMBLY.	2	
2	90109-08718-00	BOLT	12	
3	1WG-25810-01-00	CALIPER ASSEMBLY RIGHT ..	1	
4	31A-W0057-00-00	. PISTON ASSEMBLY, CALIPER	2	
5	31A-W0047-00-00	.. CALIPER SEAL KIT	1	
6	26H-W0045-11-00	. BRAKE PAD KIT	1	
7	1WG-25919-00-00	. SUPPORT, PAD	1	
8	3HE-25924-00-00	. PIN, PAD	2	
9	3HE-25925-00-00	. CLIP	2	
10	1J3-W0048-00-00	. BLEED SCREW KIT	1	
11	51J-25836-00-00	. COVER, DUST	1	
12	1WG-25810-11-00	CALIPER ASSEMBLY LEFT ...	1	
13	31A-W0057-00-00	. PISTON ASSEMBLY, CALIPER	2	
14	31A-W0047-00-00	.. CALIPER SEAL KIT	1	
15	26H-W0045-11-00	. BRAKE PAD KIT	1	
16	1WG-25919-00-00	. SUPPORT, PAD	1	
17	3HE-25924-00-00	. PIN, PAD	2	
18	3HE-25925-00-00	. CLIP	2	
19	1J3-W0048-00-00	. BLEED SCREW KIT	1	
20	51J-25836-00-00	. COVER, DUST	1	
21	90105-10638-00	BOLT, WASHER BASED	4	

REAR WHEEL

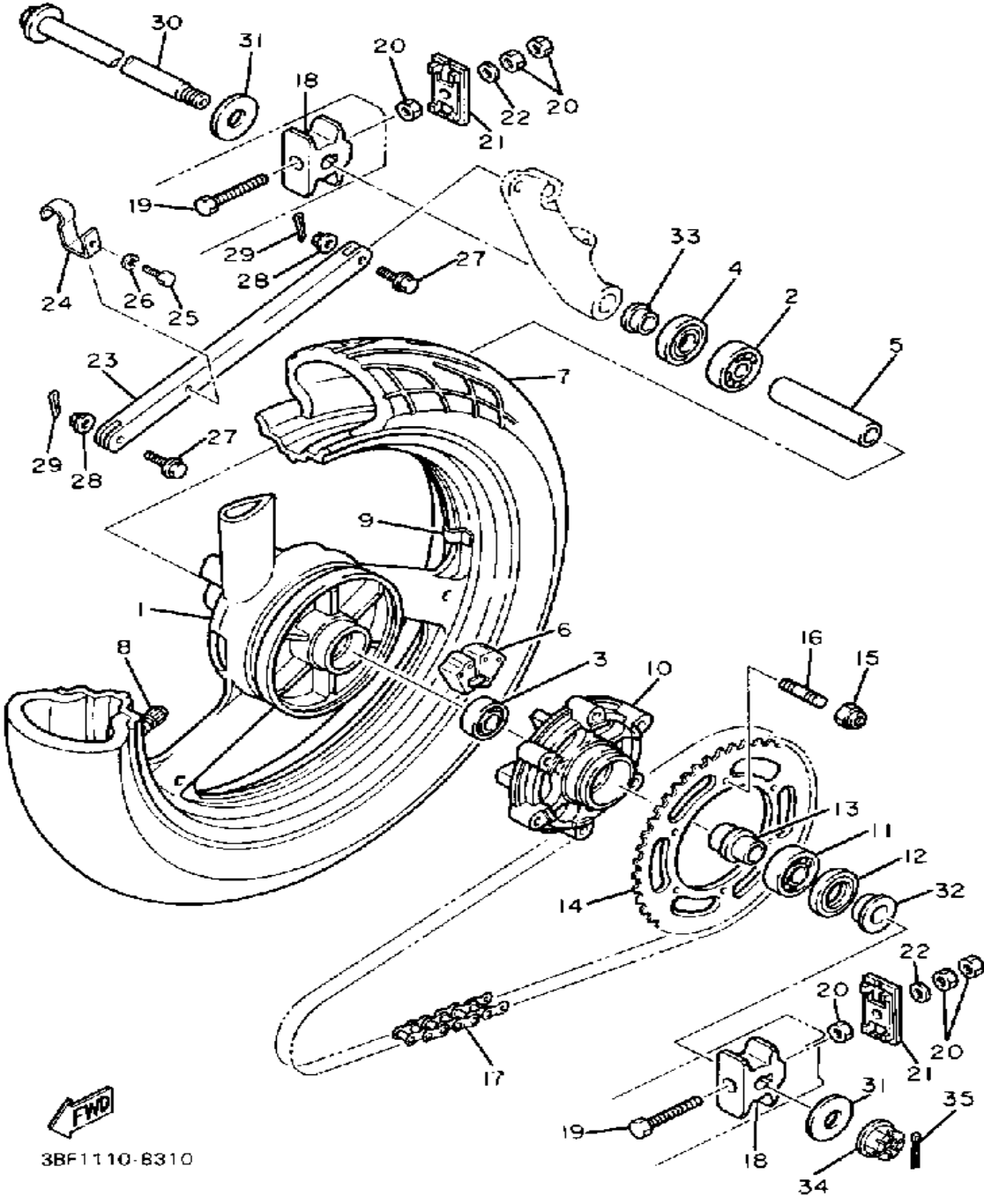


3BF1110-6310

Ref. No.	Part Number	Description	Qty	Remarks
1	1WG-25338-00-UA	WHEEL, CAST REAR	1	CAST WHEEL WHITE
2	93306-30309-00	BEARING	1	
3	93306-20310-00	BEARING	1	
4	93102-25044-00	OIL SEAL	1	
5	90387-173M5-00	COLLAR	1	
6	1KT-25364-00-00	DAMPER	6	
7	94114-181U1-00	140/60R-18 CY04ABS	1	
	94114-181U1-00	140/60R-18 CY04ABS	1	BRIDGESTONE
8	93900-00030-00	VALVE, RIM	1	UR TAIHEIYO
9	29L-25398-00-00	BALANCER, WHEEL (10G)	1	UR
	29L-25398-10-00	BALANCER, WHEEL (20G)	1	UR
	29L-25398-20-00	BALANCER, WHEEL (30G)	1	UR
10	1KT-25366-03-00	CLUTCH, HUB	1	
11	93306-20446-00	BEARING	1	
12	93102-28022-00	OIL SEAL	1	
13	90387-172J8-00	COLLAR	1	
14	1HX-25455-20-00	SPROCKET, DRIVN 55T	1	YAMAHA BLK
15	95601-08200-00	NUT, U	6	
16	90116-08498-00	BOLT, STUD	6	
17	94581-22130-00	CHAIN DID Y28HVS (D.I.D. 428HVS-130LE)	1	
18	1WG-25388-00-00	PULLER, CHAIN 1	2	
19	90101-08647-00	BOLT	2	
20	95333-08600-00	NUT	6	
21	1KT-22174-00-00	END 1	2	
22	92901-08600-00	WASHER	2	
23	1WG-25371-00-00	BAR, TENSION	1	
24	2GH-25876-00-00	HOLDER, BRKE HOSE 2	1	
25	97011-06010-00	BOLT	1	

CONTINUED ON NEXT FRAME ►

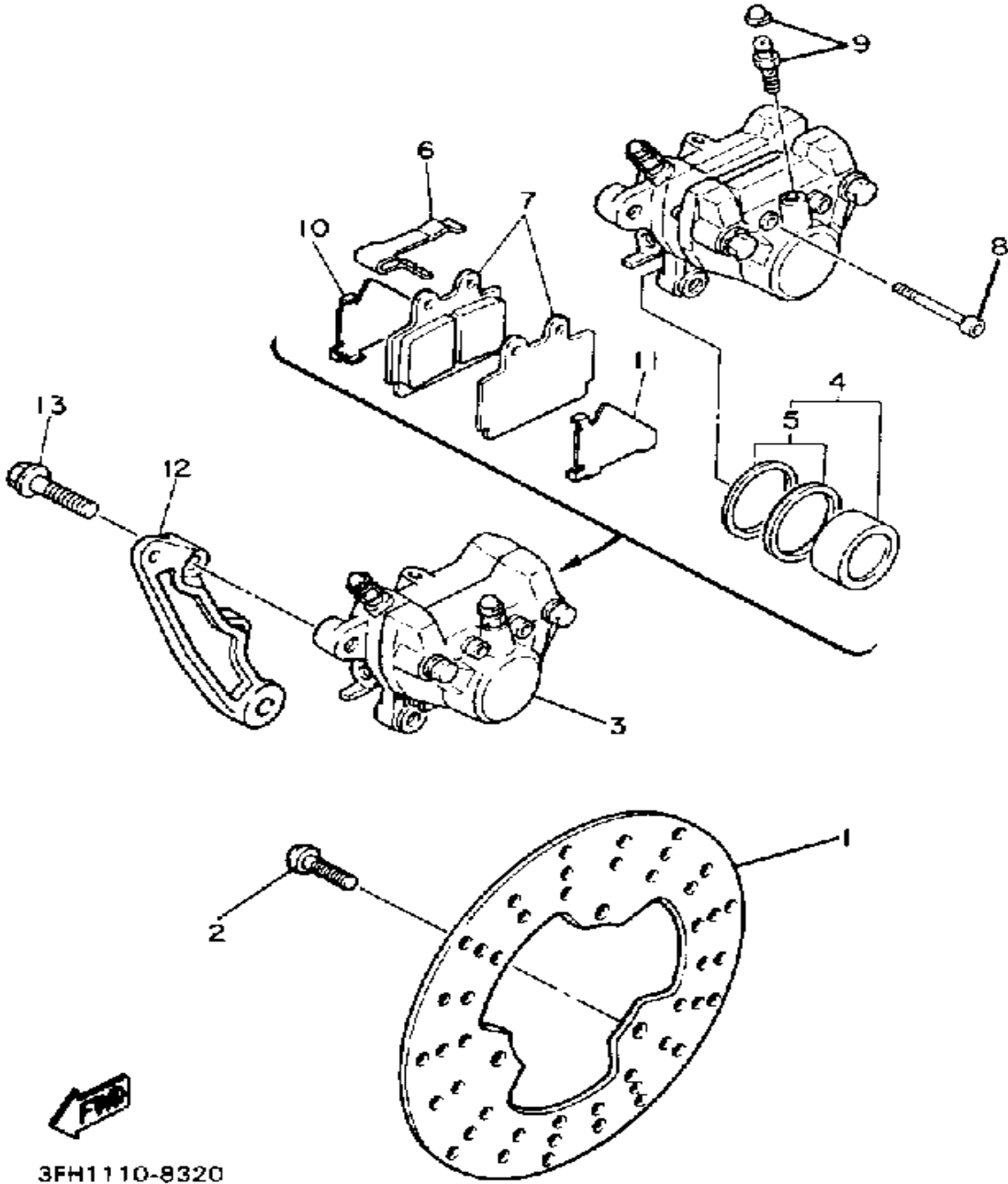
REAR WHEEL



Ref. No.	Part Number	Description	Qty	Remarks
26	92995-06100-00	WASHER, SPRING	1	
27	90105-08321-00	BOLT, WASHER BASED	2	
28	95701-08500-00	NUT, FLANGE	2	
29	91490-20020-00	PIN, COTTER	2	
30	3FH-25381-00-00	AXLE, WHEEL	1	
31	90201-177K7-00	WASHER, PLATE	2	
32	90387-172R7-00	COLLAR	1	
33	90387-173L5-00	COLLAR	1	
34	90171-16024-00	NUT, CASTLE	1	
35	91401-30030-00	PIN, COTTER	1	

3BF1110-6310

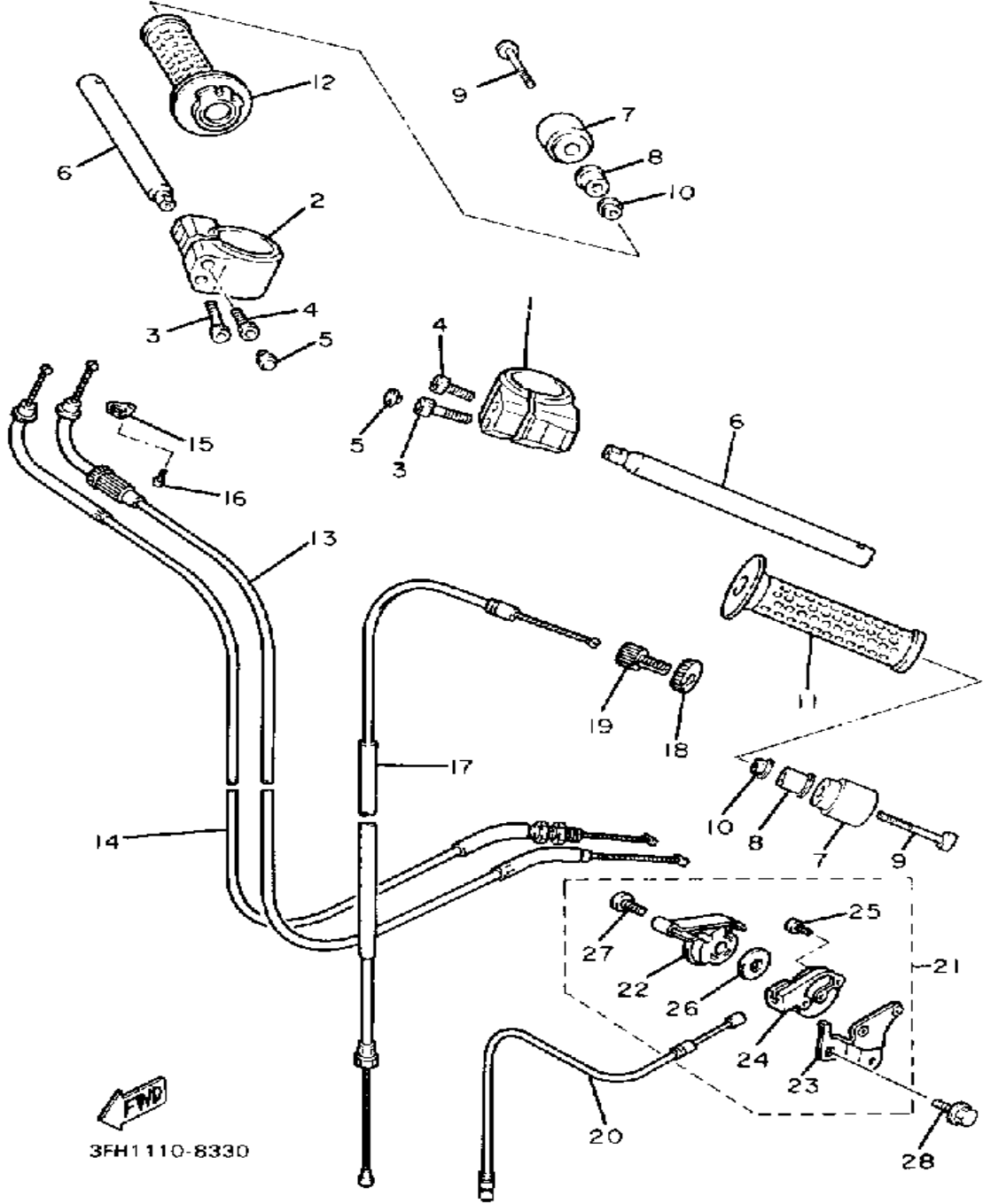
REAR BRAKE CALIPER



Ref. No.	Part Number	Description	Qty	Remarks
1	1WG-25831-50-00	DISC, BRAKE	1	
2	90109-08718-00	BOLT	3	
3	1WG-25810-51-00	CALIPER ASSEMBLY	1	
4	51L-W0057-00-00	. PISTON ASSEMBLY, CALIPER	1	
5	51L-W0047-11-00	.. CALIPER SEAL KIT	1	
6	51L-25919-00-00	. SUPPORT, PAD	1	
7	51L-W0046-02-00	. BRAKE PAD KIT 2	1	
8	51L-25924-00-00	. PIN PAD	2	
9	51L-W0048-00-00	. BLEED SCREW KIT	2	
10	47X-25827-00-00	. SHIM, CALIPER	1	
11	47X-25827-10-00	. SHIM, CALIPER	1	
12	1WG-25819-00-00	BRACKET, CALIPER	1	
13	90105-10638-00	BOLT, WASHER BASED	2	

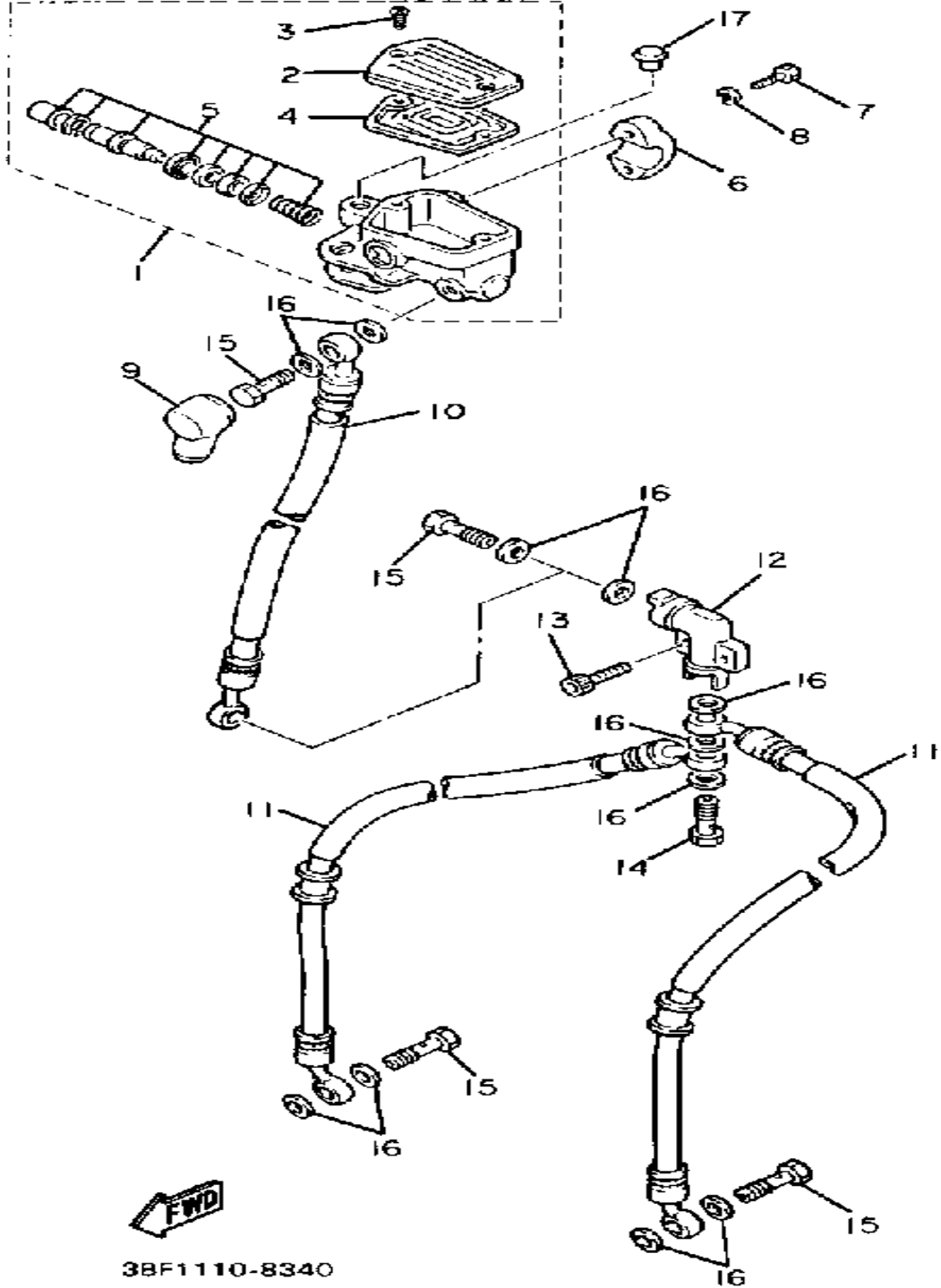
3FH1110-8320

HANDLEBAR - CABLE



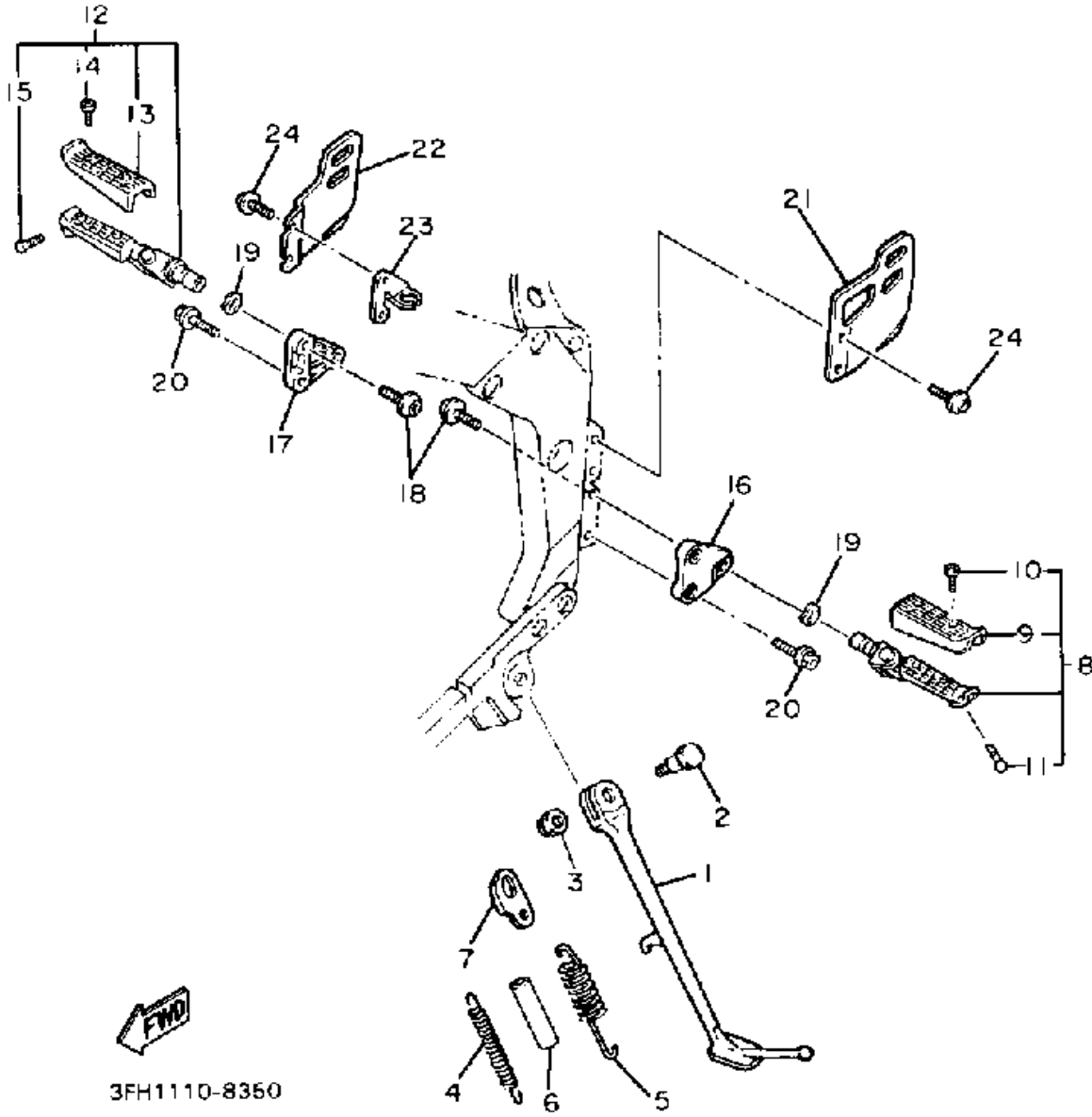
Ref. No.	Part Number	Description	Qty	Remarks
1	2TK-26121-00-00	HANDLEBAR LH	1	
2	2TK-26122-00-00	HANDLEBAR RH	1	
3	91316-08030-00	BOLT, SOCKET HEAD	2	
4	91316-08025-00	BOLT, SOCKET HEAD	2	
5	341-23469-00-00	CAP, BOLT	4	
6	2TK-26111-00-00	HANDLEBAR	2	
7	2GH-26246-10-00	END GRIP	2	
8	2GH-2622F-00-00	DAMPER, LOCATING 1	2	
9	91316-06070-00	BOLT, SOCKET HEAD	2	
10	95701-06500-00	NUT, FLANGE	2	
11	1KG-26241-00-00	GRIP (LEFT)	1	
12	3FH-26240-00-00	GRIP ASSEMBLY	1	
13	3FH-26311-00-00	CABLE, THROTTLE 1	1	
14	3FH-26312-00-00	CABLE, THROTTLE 2	1	
15	5H0-26393-00-00	HOLDER	1	
16	98506-05008-00	SCREW, PAN HEAD	1	
17	1WG-26335-00-00	CABLE, CLUTCH	1	
18	90179-08316-00	NUT	1	
19	90123-08083-00	BOLT	1	
20	1WG-26331-00-00	CABLE, STARTER 1	1	
21	1WG-83940-00-00	STARTER ASSEMBLY	1	
22	1WG-83941-00-00	. LEVER, STARTER	1	
23	1WG-28357-00-00	. STAY 2	1	
24	1WG-83942-00-00	. COVER, STARTER	1	
25	98906-03006-00	. SCREW, BIND	2	
26	90209-10131-00	. WASHER	1	
27	98906-06008-00	. SCREW, BIND	1	
28	91006-06020-00	BOLT, FLANGE (2GU)	1	

FRONT MASTER CYLINDER



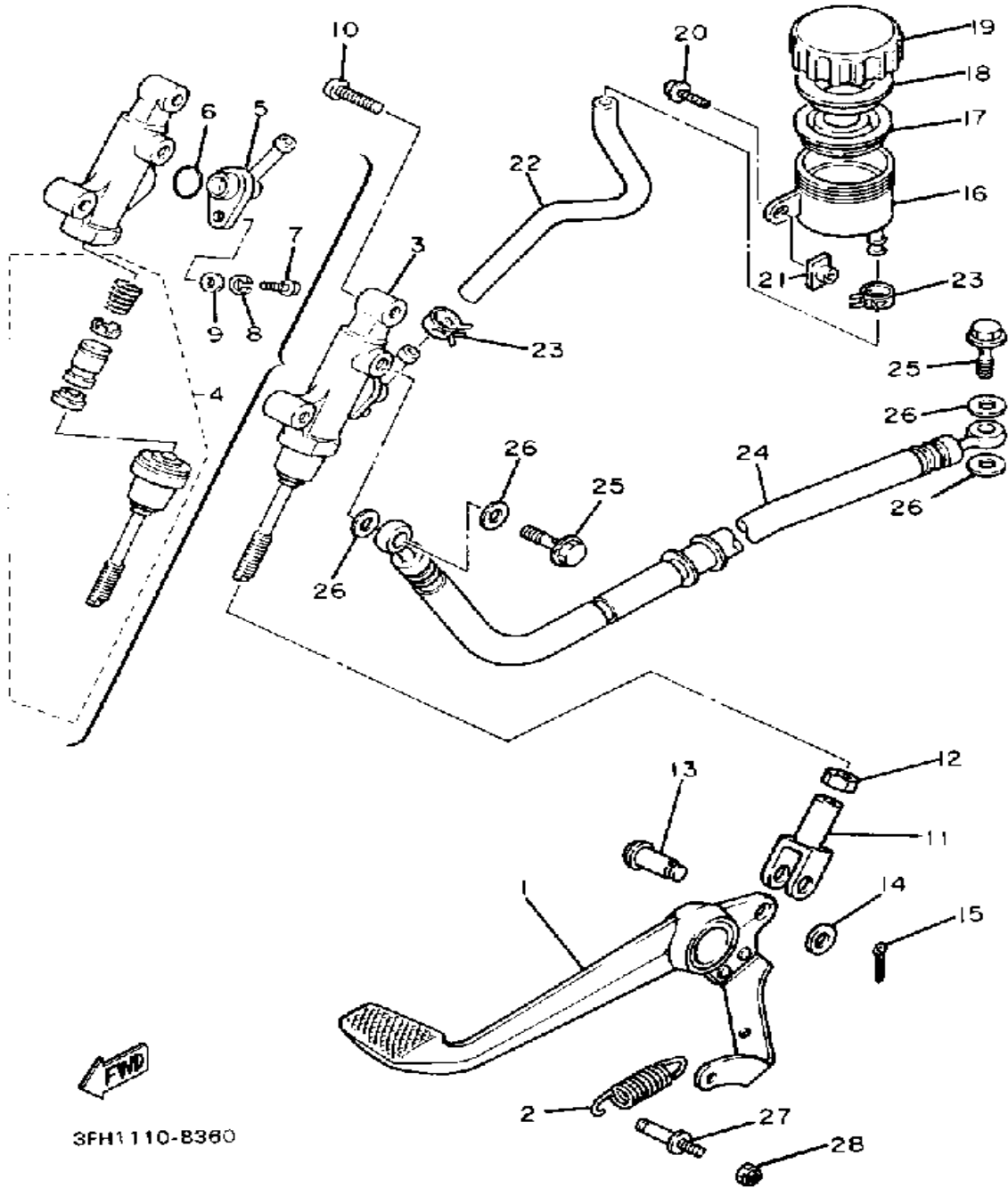
Ref. No.	Part Number	Description	Qty	Remarks
1	36Y-25850-01-00	MASTER CYLINDER ASSEMBLY	1	
2	36Y-25852-01-00	. CAP, RESERVOIR	1	
3	98706-04012-00	. SCREW, FLAT HEAD	2	
4	36Y-25854-00-00	. DIAPHRAGM, RESERVOIR	1	
5	36Y-W0041-00-00	. CYLINDER KIT, MASTER	1	
6	36Y-25867-00-00	BRACKET, MASTER CYLINDER	1	
7	91316-06025-00	BOLT	2	
8	92906-06100-00	WASHER, SPRING	2	
9	4L0-25862-00-00	BOOT, MASTER CYLINDER	1	
10	3HE-25872-01-00	HOSE, BRAKE 1	1	
11	1WG-25873-01-00	HOSE, BRAKE 2	2	
12	1J7-25885-01-00	JOINT	1	
13	91316-06025-00	BOLT	1	
14	90401-10095-00	BOLT, UNION	1	
15	90401-10096-00	BOLT, UNION	4	
16	90201-10118-00	WASHER, PLATE	11	
17	90338-09012-00	PLUG	1	

STAND-FOOTREST



Ref. No.	Part Number	Description	Qty	Remarks
1	2KT-27311-00-00	STAND, SIDE	1	
2	90109-10474-00	BOLT	1	
3	90185-10037-00	NUT, SELF-LOCKING	1	
4	90506-18224-00	SPRING, TENSION	1	
5	90506-26225-00	SPRING, TENSION	1	
6	1TX-27351-00-00	GUIDE, SIDE STAND	1	
7	2KT-27315-00-00	LINK, SIDE STAND	1	
8	1WG-27410-00-00	FRT FOOTREST ASSEMBLY LASSEMBLY (L)	1	
9	2GH-27413-00-00	. COVER, FOOTREST	1	
10	90157-05079-00	. SCREW, PAN HEAD	2	
11	90109-082A4-00	. BOLT	1	
12	1WG-27420-00-00	FRT FOOTREST ASSEMBLY RASSEMBLY (R)	1	
13	2GH-27413-00-00	. COVER, FOOTREST	1	
14	90157-05079-00	. SCREW, PAN HEAD	2	
15	90109-082A4-00	. BOLT	1	
16	46X-27442-01-00	BRACKET 2	1	
17	46X-27443-01-00	BRACKET 3	1	
18	90109-103A9-00	BOLT	2	
19	90206-17084-00	WASHER, WAVE	2	
20	90110-08066-00	BOLT, HEX SKT HEADSOCKET HEAD	4	
21	1WG-27445-01-00	PLATE 1	1	
22	1WG-27446-01-00	PLATE 2	1	
23	1WG-27425-00-00	BRACKET, FOOTREST 2	1	
24	90149-06236-00	SCREW, SPEC'L SHAPE	4	

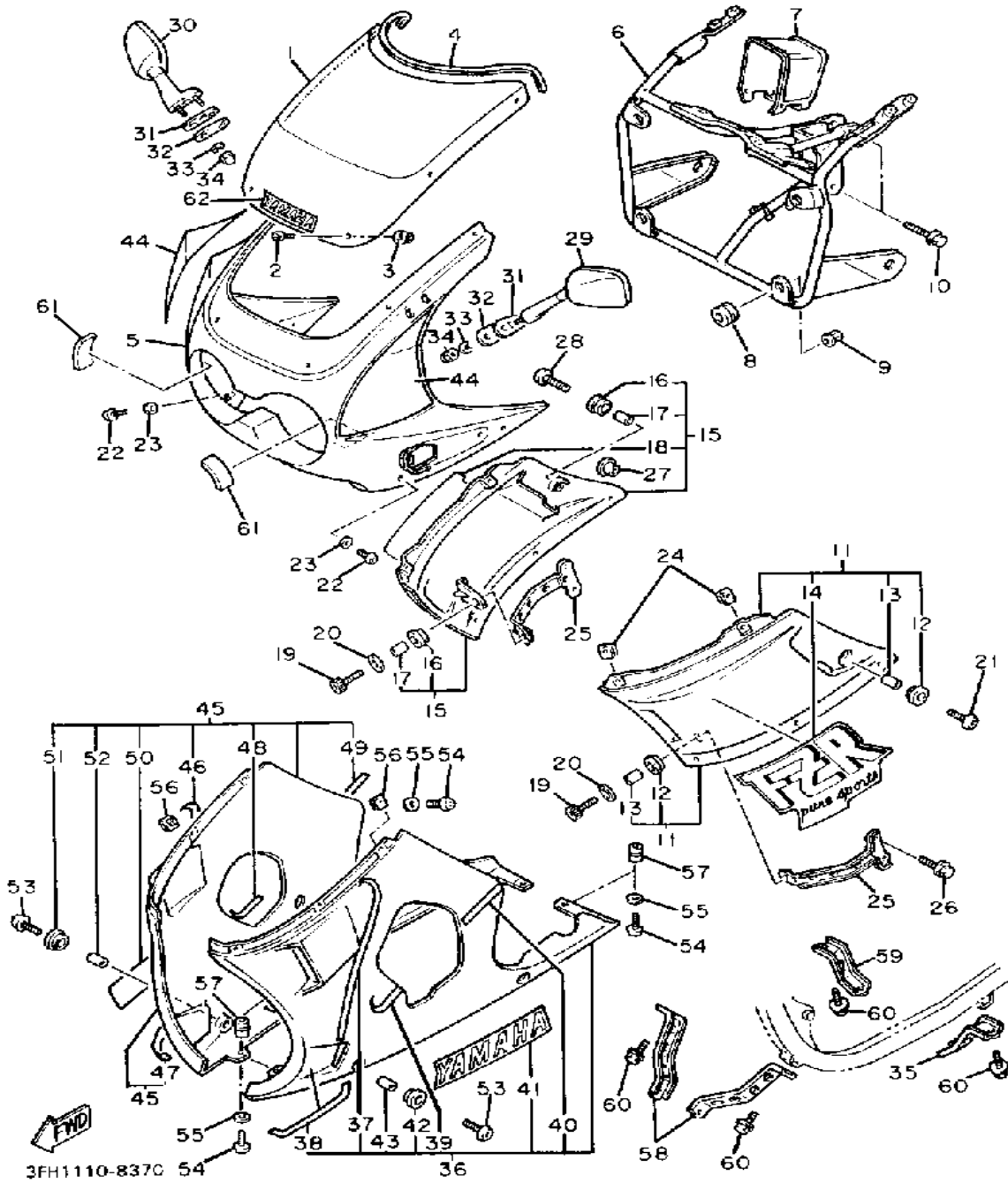
REAR MASTER CYLINDER



Ref. No.	Part Number	Description	Qty	Remarks
1	1WG-27200-00-00	PEDAL, BRAKE	1	
2	90506-20306-00	SPRING, TENSION	1	
3	1WG-25850-50-00	MASTER CYLINDER ASSEMBLY	1	
4	1WG-W0042-50-00	. CYLINDER KIT, MASTER	1	
5	36Y-2582A-50-00	. JOINT	1	
6	93210-15620-00	. O-RING	1	
7	98511-04012-00	. SCREW, PAN HEAD	1	
8	92901-04100-00	. WASHER, SPRING	1	
9	92901-04600-00	. WASHER, PLATE	1	
10	92016-08030-00	SCREW	2	
11	31A-27222-00-00	JOINT	1	
12	95303-08700-00	NUT	1	
13	90240-08013-00	PIN, CLEVIS	1	
14	90201-08083-00	WASHER, PLATE	1	
15	91490-20020-00	PIN, COTTER	1	
16	31A-25894-01-00	TANK, RESERVOIR	1	
17	360-25854-00-00	DIAPHRAGM, RESERVOIR ...	1	
18	2GU-25855-00-00	BUSH, DIAPHRAGM	1	
19	2KF-25852-50-00	CAP, RESERVOIR	1	
20	90159-06056-00	SCREW, WITH WASHER	1	
21	31A-14477-00-00	PLATE	1	
22	1WG-25895-00-00	HOSE, RESERVOIR	1	
23	90467-14057-00	CLIP	2	
24	(3BF-25872-50-00)	HOSE, BRAKE 1	1	
25	90401-10096-00	BOLT, UNION	2	
26	90201-10118-00	WASHER, PLATE	4	
27	(3FH-27813-00-00)	PIN, PEDAL CRANK	1	
28	95601-05100-00	NUT, U	1	

3FH1110-B360

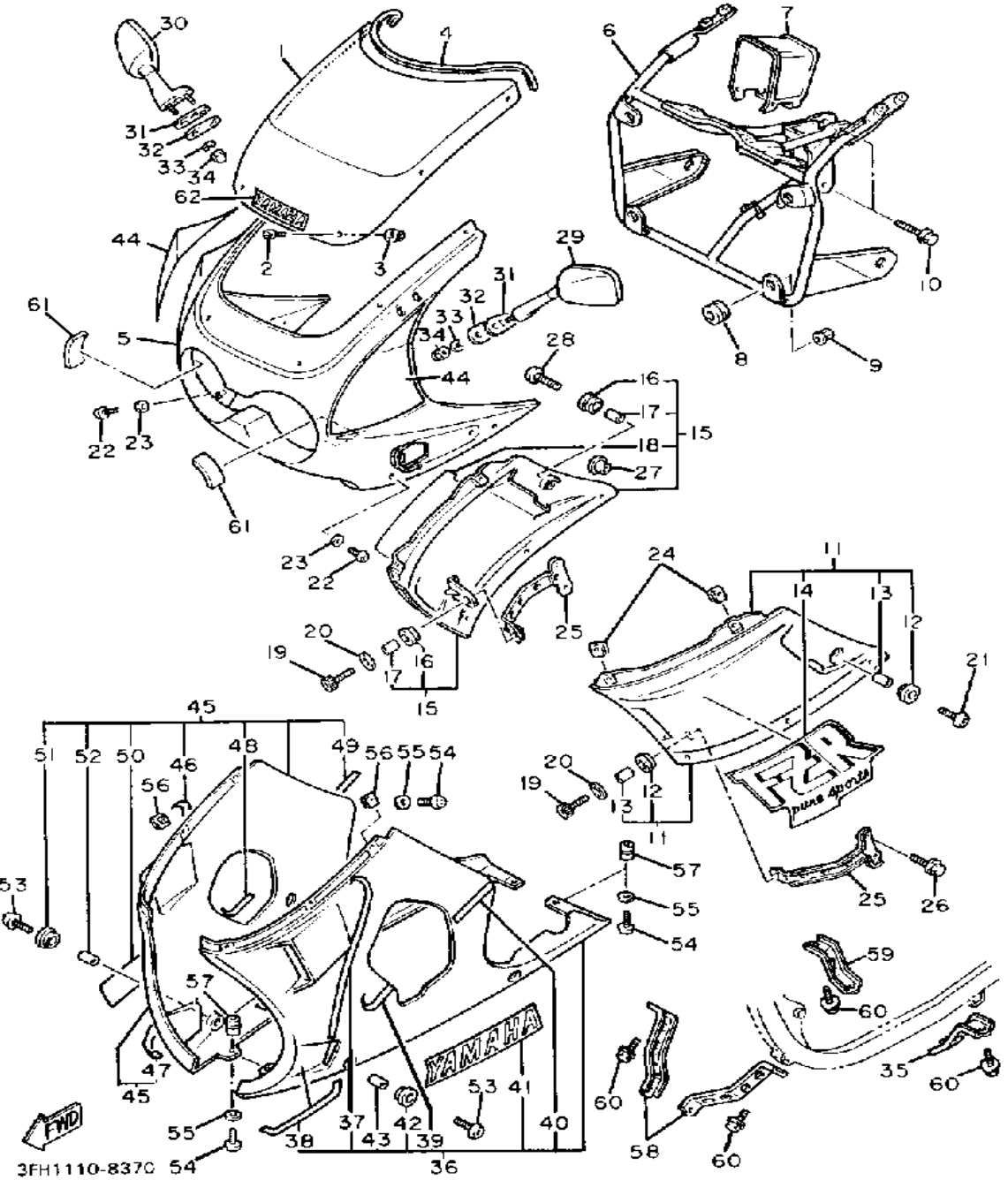
FAIRING - COWLING



Ref. No.	Part Number	Description	Qty	Remarks
1	2AX-28381-00-00	WINDSHIELD	1	
2	90150-05020-00	SCREW, ROUND HEAD	6	
3	95706-05500-00	NUT, FLANGE	6	
4	46X-28376-01-00	TRIM	1	
5	3FH-2835G-00-GE	BODY, FRONT UPPER 1	1	SILKY WHITE
6	3FH-28356-00-00	STAY 1	1	
7	1WG-28365-00-00	COVER	1	
8	90480-14229-00	GROMMET	4	
9	90179-06500-00	NUT	4	
10	95816-08045-00	BOLT, FLANGE	2	
11	1WG-Y283U-00-GE	PANEL ASSEMBLY 1	1	SILKY WHITE
12	90480-13398-00	. GROMMET	2	
13	90387-067K6-00	. COLLAR	2	
14	1WG-28328-00-00	. EMBLEM	1	
15	1WG-Y283V-00-GE	PANEL ASSEMBLY 2	1	SILKY WHITE
16	90480-13398-00	. GROMMET	2	
17	90387-067K6-00	. COLLAR	2	
18	1WG-28338-00-00	. EMBLEM	1	
19	91316-06020-00	BOLT, SOCKET HEAD	2	
20	90201-062A8-00	WASHER, PLATE	2	
21	90110-06078-00	BOLT, HEXAGON SOCKET ...	1	
22	90110-05079-00	BOLT, hexagon socket head ..	4	
23	90202-05180-00	WASHER, PLATE	4	
24	90183-05024-00	NUT, SPRING	4	
25	1WG-2831U-00-00	STAY, SIDE 1	2	
26	91026-06012-00	BOLT, FLANGE (1VJ)	2	
27	90387-07391-00	COLLAR	1	
28	90110-06135-00	BOLT, HEX SKT HEADSOCKET HEAD	1	

CONTINUED ON NEXT FRAME ►

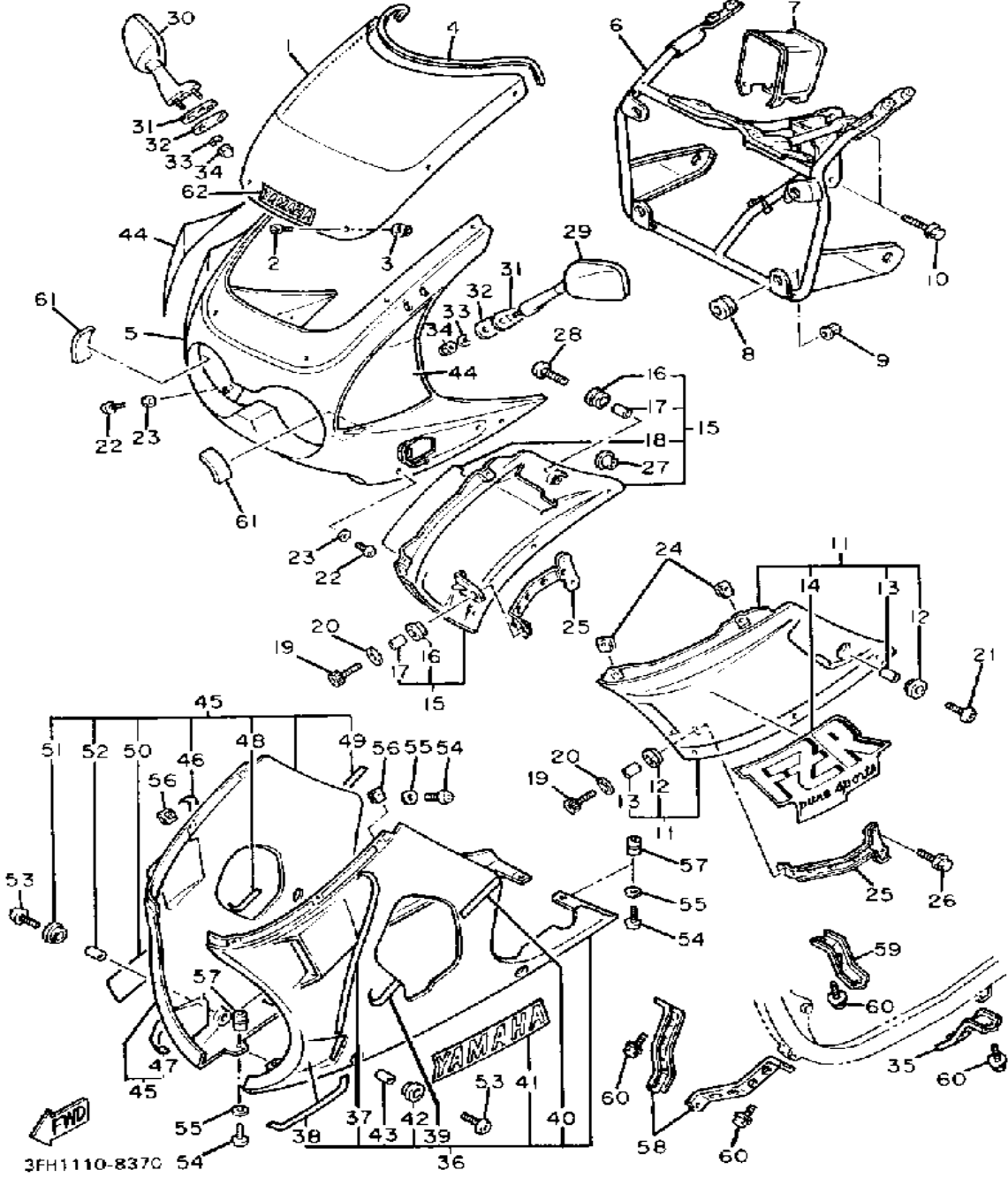
FAIRING - COWLING



Ref. No.	Part Number	Description	Qty	Remarks
29	1KT-26280-00-00	MIRROR ASSEMBLY (WHITE)ASSEMBLY (L)	1	WHITE
30	1KT-26290-00-00	MIRROR ASSEMBLY (WHITE)ASSEMBLY (R)	1	WHITE
31	1KT-28371-00-00	DAMPER	2	
32	1KT-28372-00-00	DAMPER	2	
33	92906-06100-00	WASHER, SPRING	4	
34	95306-06800-00	NUT	4	
35	3FH-2836E-00-00	BRACKET 2	1	
36	1WG-Y283J-30-0X	BODY, FRONT LOWER 1	1	
37	1WG-28393-00-00	. GRAPHIC 3	1	
38	1WG-28398-00-00	. GRAPHIC 5	1	
39	1WG-2839A-00-00	. GRAPHIC 7	1	
40	1WG-2839F-00-00	. GRAPHIC 9	1	
41	99234-00070-00	. EMBLEM, YAMAHA	1	
42	90480-13398-00	. GROMMET	2	
43	90387-067K6-00	. COLLAR	2	
44	1WG-28390-00-00	GRAPHIC SET, COWLING	1	
45	1WG-Y283K-30-0X	BODY, FRONT LOWER 2	1	
46	1WG-28394-00-00	. GRAPHIC 4	1	
47	1WG-28399-00-00	. GRAPHIC 6	1	
48	1WG-2839E-00-00	. GRAPHIC 8	1	
49	1WG-2839G-00-00	. GRAPHIC 0	1	
50	99234-00070-00	. EMBLEM, YAMAHA	1	
51	90480-13398-00	. GROMMET	2	
52	90387-067K6-00	. COLLAR	2	
53	90110-06078-00	BOLT, HEXAGON SOCKET	4	
54	90110-05079-00	BOLT, hexagon socket head	8	
55	90202-05180-00	WASHER, PLATE	8	

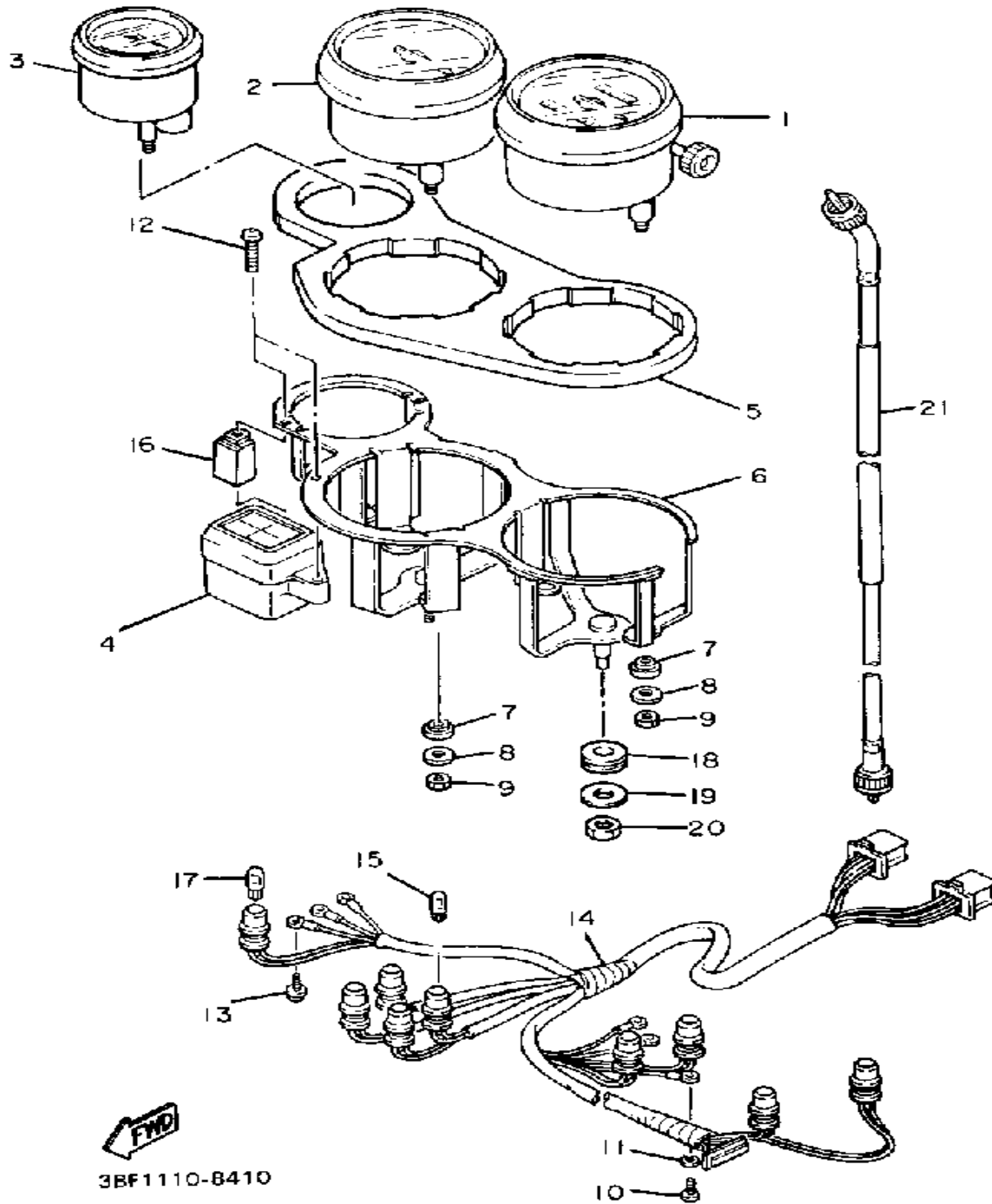
CONTINUED ON NEXT FRAME ►

FAIRING - COWLING



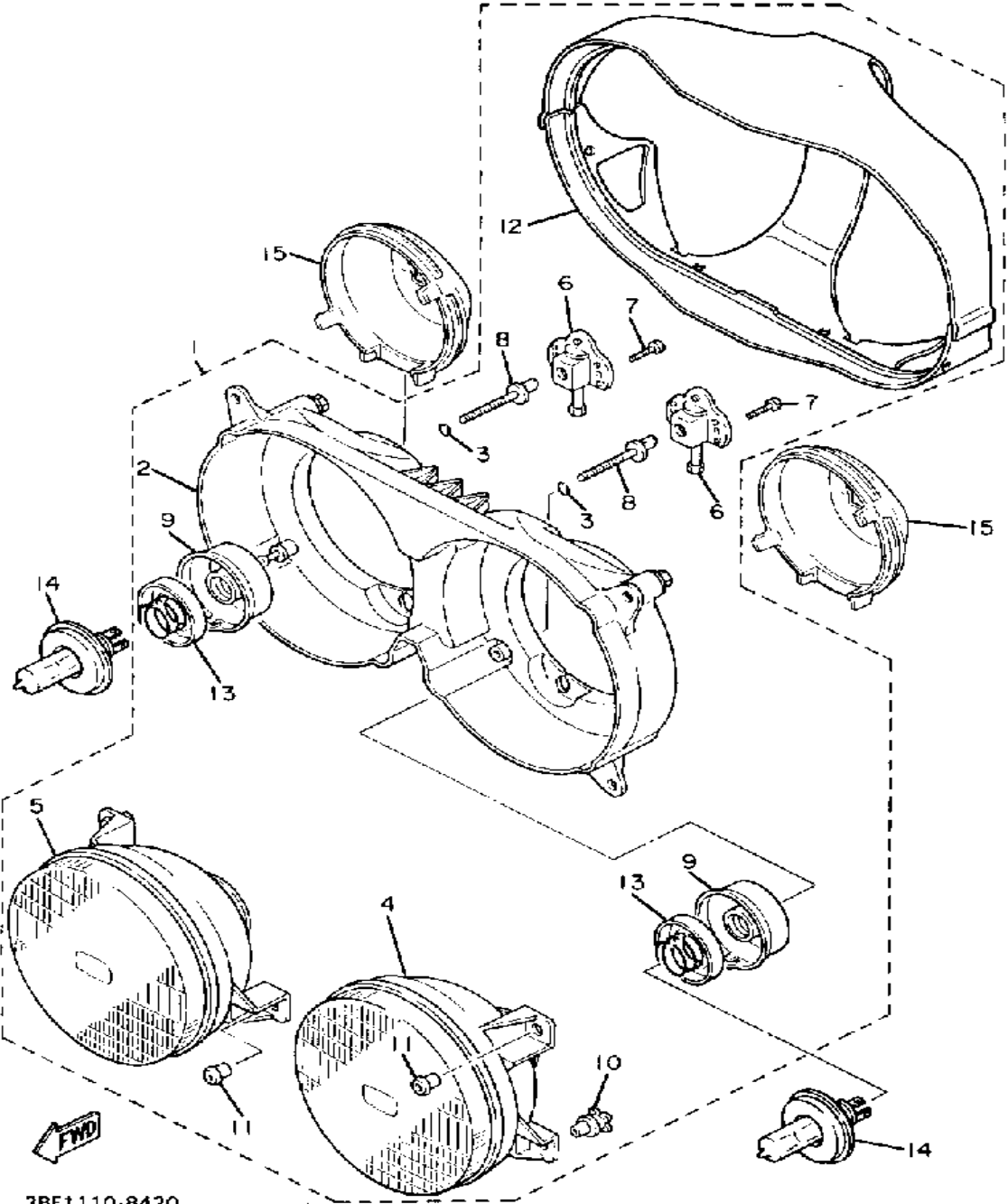
Ref. No.	Part Number	Description	Qty	Remarks
56	90183-05024-00	NUT, SPRING	6	
57	90179-05523-00	NUT	2	
58	1WG-2836A-00-00	BRACKET 1	2	
59	1WG-2836E-00-00	BRACKET 2	1	
60	91026-06010-00	BOLT	4	
61	8K4-77374-00-00	DAMPER 2	2	
62	99231-00025-00	EMBLEM	1	FOR FWB

METER



Ref. No.	Part Number	Description	Qty	Remarks
1	3FH-83570-00-00	SPEEDOMETER ASSEMBLY ..	1	
2	3FH-83540-00-00	TACHOMETER ASSEMBLY ...	1	
3	1WG-83590-00-00	WATER TEMP METERASSEMBLY	1	
4	47X-83530-00-00	PILOT LIGHT ASSEMBLY	1	
5	1WG-83513-00-00	DAMPER	1	
6	1WG-83519-00-00	BRACKET, METER	1	
7	584-83523-00-00	DAMPER	6	
8	90201-052E2-00	WASHER, PLATE	6	
9	95306-05600-00	NUT	6	
10	98501-03012-00	SCREW, PAN HEAD	3	
11	92990-03100-00	WASHER, SPRING (92901-03100)	3	
12	97780-30120-00	SCREW, PANHEAD TAP	2	
13	90159-03102-00	SCREW, WITH WASHER	3	
14	3FH-83520-00-00	SOCKET CORD ASSEMBLY ..	1	
15	4G1-84744-00-00	BULB, MTR.12V3.4W	4	
16	1WG-83588-00-00	NUT, PILOT LIGHT	1	
17	3GM-83517-00-00	BULB (12V-1.7W)	5	
18	90480-14229-00	GROMMET	3	
19	90201-06059-00	WASHER, PLATE	3	
20	95316-06600-00	NUT	3	
21	46X-83550-00-00	SPEEDOMETER CABLEASSEMBLY	1	

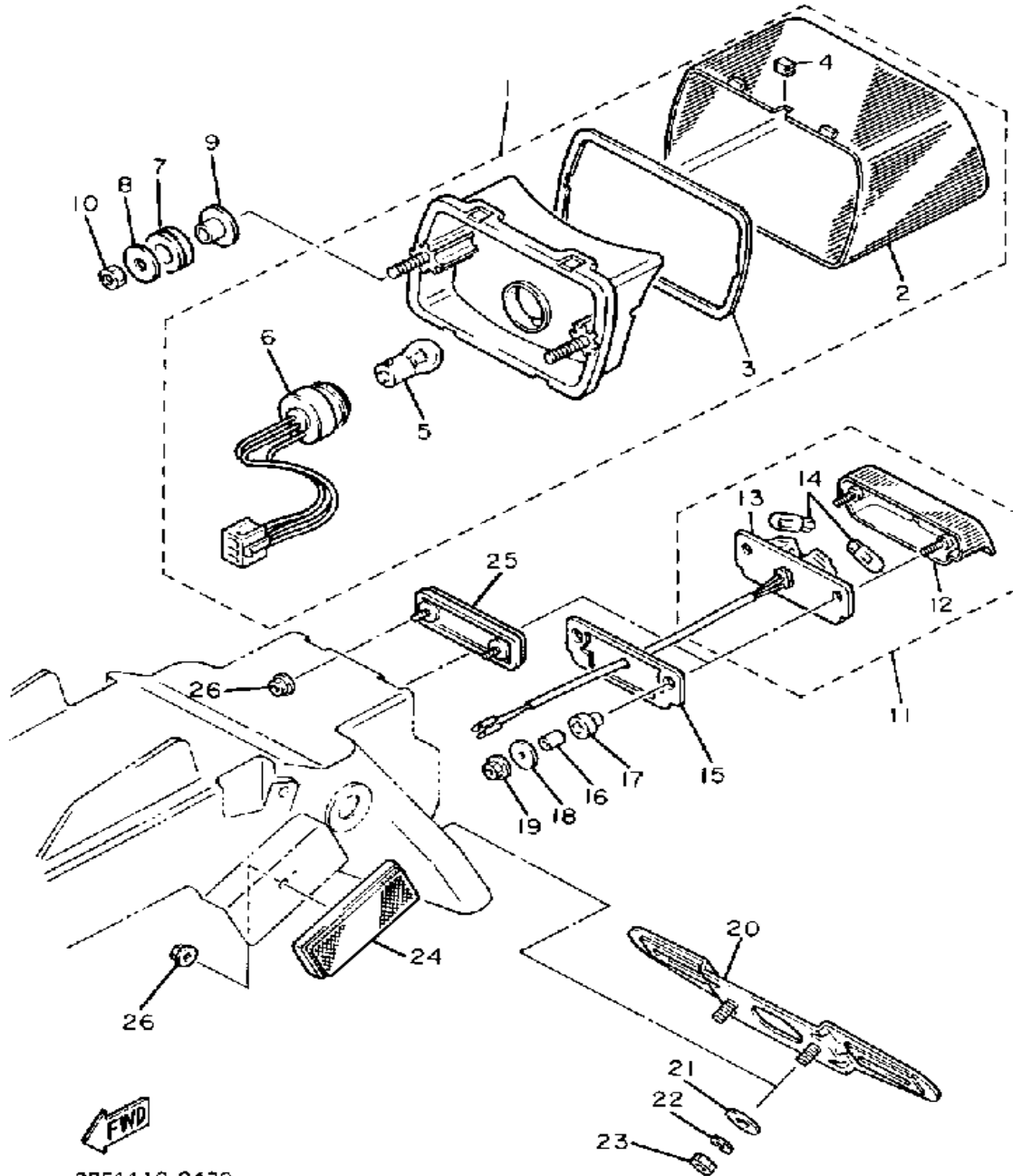
HEADLIGHT



3BF1110-8420

Ref. No.	Part Number	Description	Qty	Remarks
1	3BF-84310-00-00	HEADLIGHT UNIT ASSEMBLY	1	
2	2AX-84330-00-00	. BODY ASSEMBLY.	1	
3	93210-06632-00	. O-RING	2	
4	3BF-84320-00-00	. LENS ASSEMBLY.	1	
5	3BF-8432A-00-00	. LENS ASSEMBLY.	1	
6	3MA-8430M-00-00	. GEAR UNIT ASSEMBLY	2	
7	97706-40616-00	. SCREW, TAPPING	4	
8	2AX-84331-00-00	. SCREW, RIM ADJUSTING	2	
9	2F9-84397-01-00	. COVER, SOCKET	2	
10	51L-8431U-00-00	. HOLDER	2	
11	51L-84332-00-00	. SPRING, SCREW	4	
12	3BF-84396-00-00	. COVER	1	
13	2F9-84375-00-00	. SETTING PLATE, BULB	2	
14	1ML-84314-00-XX	BULB (12V-35/35W) (1FM-84314-H0-00)	2	HALOGEN
15	46X-84397-01-00	COVER, SOCKET	2	

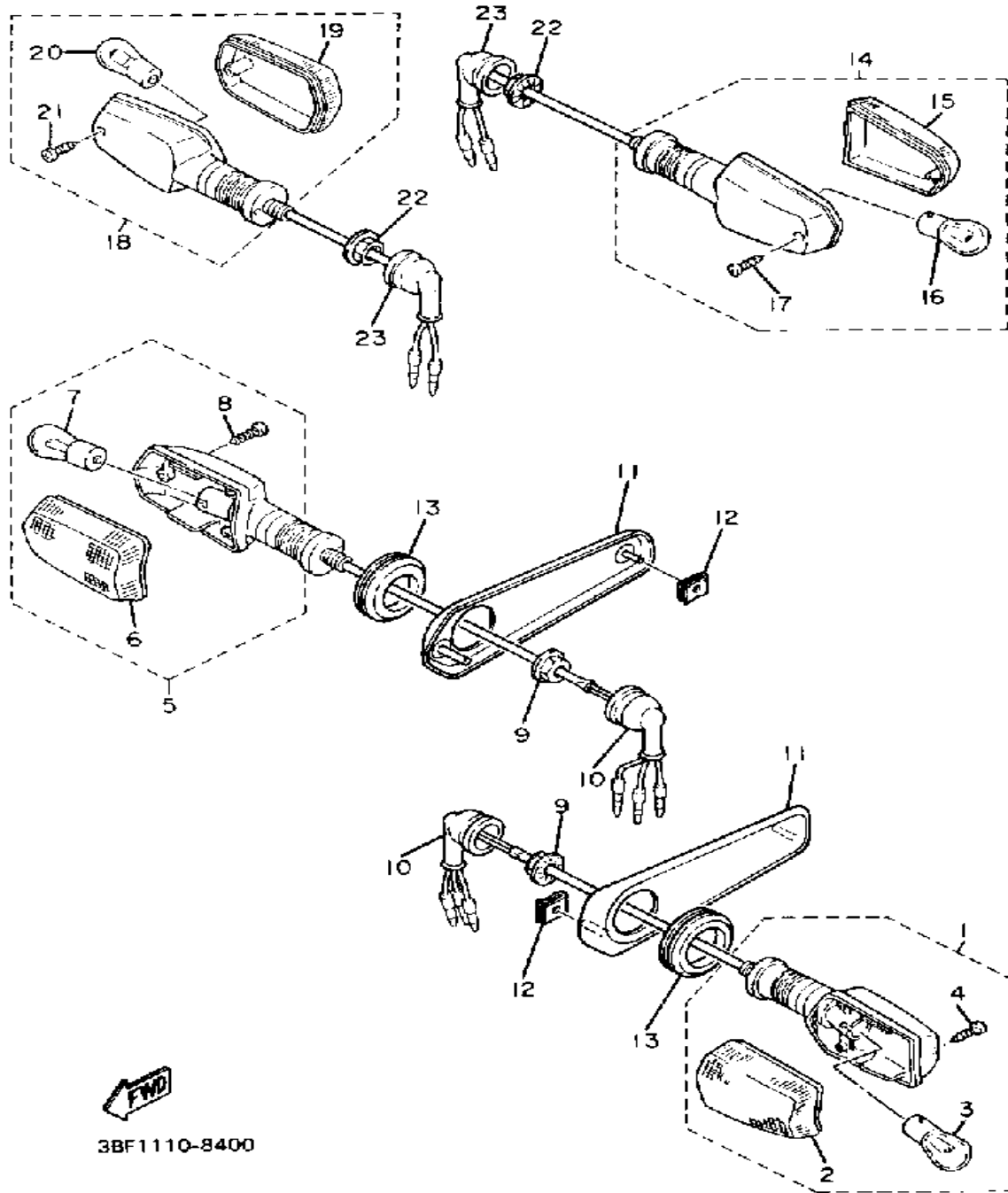
TAILLIGHT



Ref. No.	Part Number	Description	Qty	Remarks
1	1UJ-84710-A0-00	TAILLIGHT UNIT ASSEMBLY ..	1	
2	1FN-84721-E0-00	. LENS, TAILLIGHT	1	
3	47X-84723-00-00	. GASKET, TAIL LENS	1	
4	1A2-84718-40-00	. GROMMET	1	
5	256-84714-61-00	. BULB (12V-27/8W)	1	
6	1UJ-84735-A0-00	. CORD ASSEMBLY	1	
7	90480-18276-00	GROMMET	2	
8	90201-063J2-00	WASHER, PLATE	2	
9	90387-07037-00	COLLAR	2	
10	95380-06600-00	NUT	2	
11	2AX-84745-00-00	LICENSE LIGHT UNIT ASS'Y (4H3-84745-60-00)	1	
12	2AX-84749-00-00	. BODY, LICENSE LIGHT	1	
13	2AX-84741-00-00	. BASE, LICENSE LIGHT	1	
14	3F9-84744-00-XX	. BULB, METER 12V3.8W	2	
15	3F9-84742-00-00	SEAT, BASE	1	
16	3F9-84757-00-00	COLLAR, LCNSE BRKT	2	
17	3F9-84553-00-00	DAMPER	2	
18	90201-05031-00	WASHER, PLATE	2	
19	95701-05500-00	NUT, FLANGE	2	
20	1KH-84751-00-90	BRACKET, LICENSE	1	
21	90201-06067-00	WASHER, PLATE	2	
22	92906-06100-00	WASHER, SPRING	2	
23	95316-06700-00	NUT 54G	2	
24	3Y6-85130-02-00	REAR REFLECTOR ASSEMBLY	2	
25	1FK-85130-00-00	REAR REFLECTOR ASSEMBLY	1	
26	95701-05500-00	NUT, FLANGE	4	

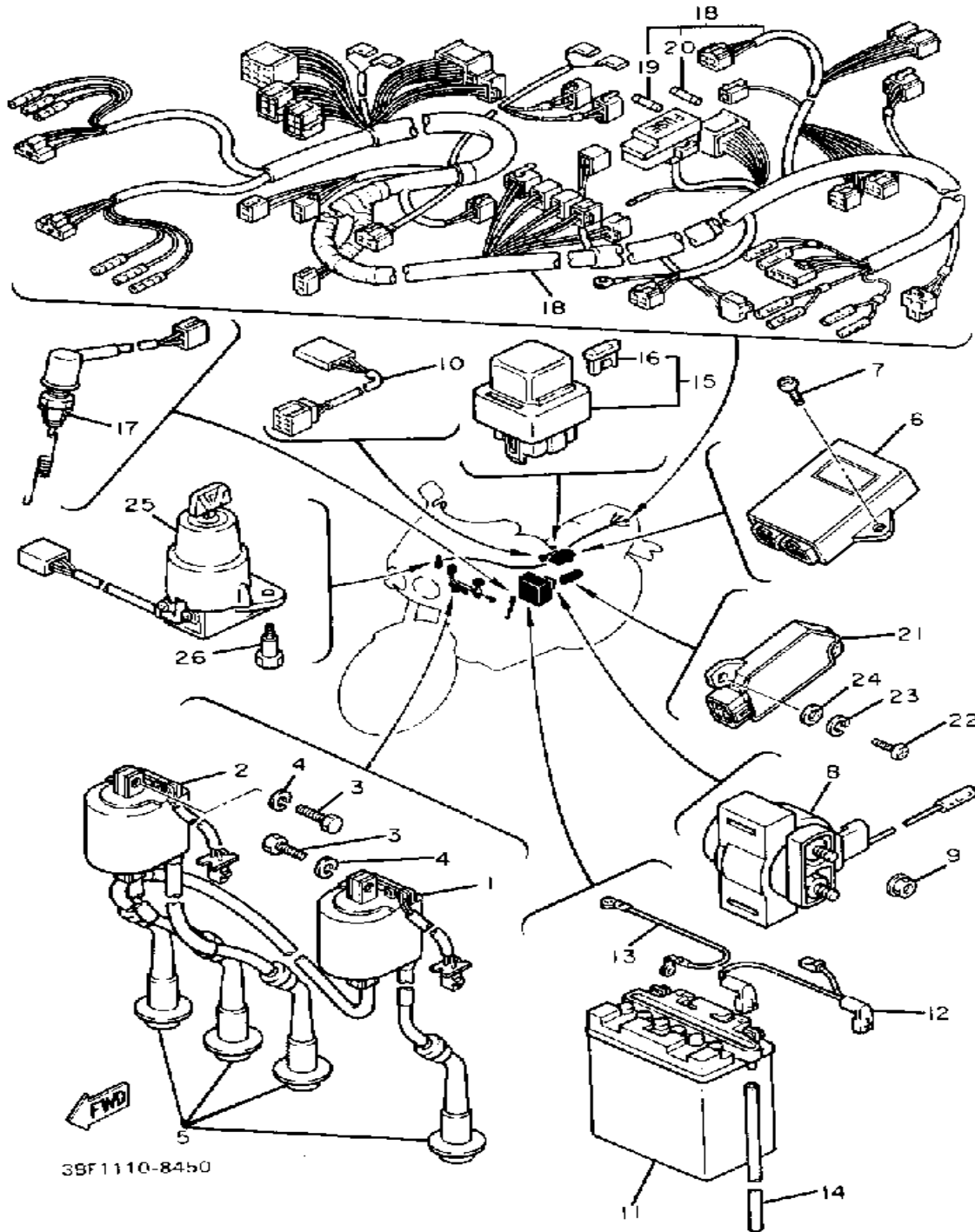
3BF1110-8430

TURNSIGNAL



Ref. No.	Part Number	Description	Qty	Remarks
1	1UF-83310-00-00	FRONT FLASHER LIGHT ASSEMBLY 1	1	
2	51L-83332-01-00	. LENS, FLASHER	1	
3	256-84714-61-00	. BULB (12V-27/8W)	1	
4	97706-40620-00	. SCREW, TAPPING	1	
5	1UF-83320-00-00	FRONT FLASHER LIGHT ASSEMBLY 2	1	LIGHT ASSY 2
6	51L-83342-01-00	. LENS, FLASHER 2	1	
7	256-84714-61-00	. BULB (12V-27/8W)	1	
8	97706-40620-00	. SCREW, TAPPING	1	
9	95701-12500-00	NUT, FLANGE	2	
10	46X-83365-00-00	CAP	2	
11	2MA-28365-01-00	COVER	2	CLEAN WHITE
12	90183-04045-00	NUT, SPRING	4	
13	90480-35526-00	GROMMET	2	
14	1UF-83330-00-00	REAR FLASHER LIGHT ASSEMBLY 1	1	
15	51L-83342-01-00	. LENS, FLASHER 2	1	
16	256-83311-70-XX	. BULB, TS 12V27W	1	
17	97706-40620-00	. SCREW, TAPPING	1	
18	1UF-83340-00-00	FLASHER LIGHT ASSEMBLY 2	1	
19	51L-83332-01-00	. LENS, FLASHER	1	
20	256-83311-70-XX	. BULB, TS 12V27W	1	
21	97706-40620-00	. SCREW, TAPPING	1	
22	95701-12500-00	NUT, FLANGE	2	
23	46X-83365-00-00	CAP	2	

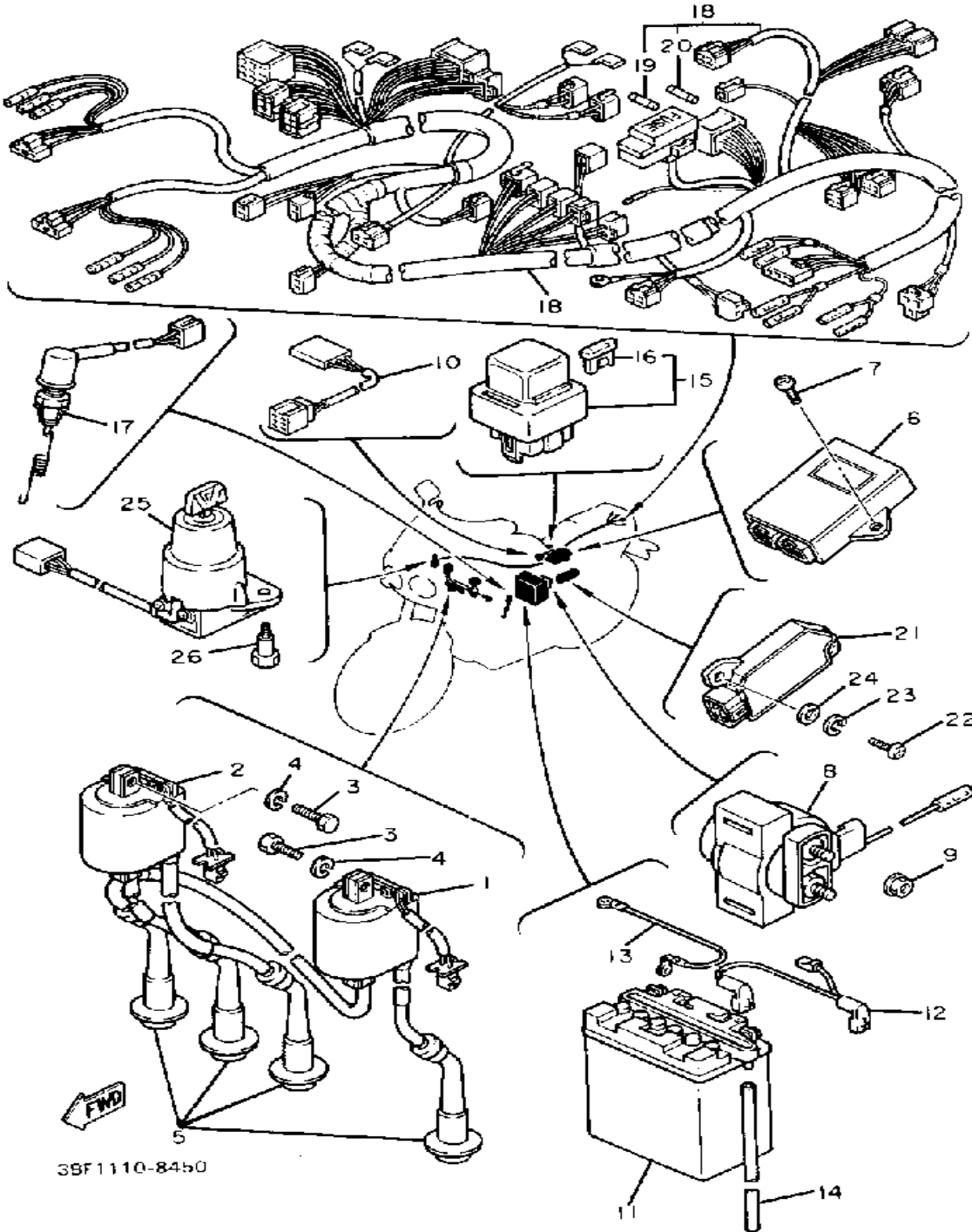
ELECTRICAL 1



Ref. No.	Part Number	Description	Qty	Remarks
1	1WG-82310-10-00	IGNITION COIL ASSEMBLY ...	1	4
2	1WG-82320-10-00	IGNITION COIL ASSEMBLY ...	1	3
3	97011-06025-00	BOLT (97001-06025)	4	
4	92995-06100-00	WASHER, SPRING	4	
5	1WG-82370-00-00	PLUG CAP ASSEMBLY	4	
6	3FH-82305-00-00	IGNITOR UNIT ASSEMBLY. ...	1	
7	97702-60120-00	SCREW, TAPPING (97702-60520-00)	2	
8	36Y-81940-00-00	STARTER RELAY ASSEMBLY .	1	
9	95701-06500-00	NUT, FLANGE	2	
10	4U8-81980-M0-00	DIODE ASSEMBLY	1	FOR SIDE STAND SAFETY DEVISE
11	BTG-GM12A-Z3-A2	BATTERY ASSEMBLY (GM12AZ-3A-2) (2GV-82110-G0-00)	1	
12	1WG-82115-00-00	WIRE, PLUS LEAD	1	
13	3WP-82116-00-00	WIRE, MINUS LEAD (46X-82116-00)	1	
14	90445-080F4-00	HOSE	1	
15	1AE-82150-00-00	FUSE HOLDER ASSEMBLY ...	1	
16	1AE-82151-00-00	. FUSE (30A-BL)	2	
17	1KT-82530-02-00	STOP SWITCH ASSEMBLY ...	1	
18	3FH-82590-00-00	WIRE HARNESS ASSEMBLY ..	1	
19	116-82151-00-00	. FUSE (10A)	4	
20	4X7-82151-00-00	. FUSE	2	
21	47X-81960-A2-00	RECTIFIER & REGULATOR ASSEMBLY	1	
22	98503-06014-00	SCREW, PAN HEAD (92502-06016)	2	
23	92995-06100-00	WASHER, SPRING	2	
24	92990-06600-00	WASHER, PLATE	2	

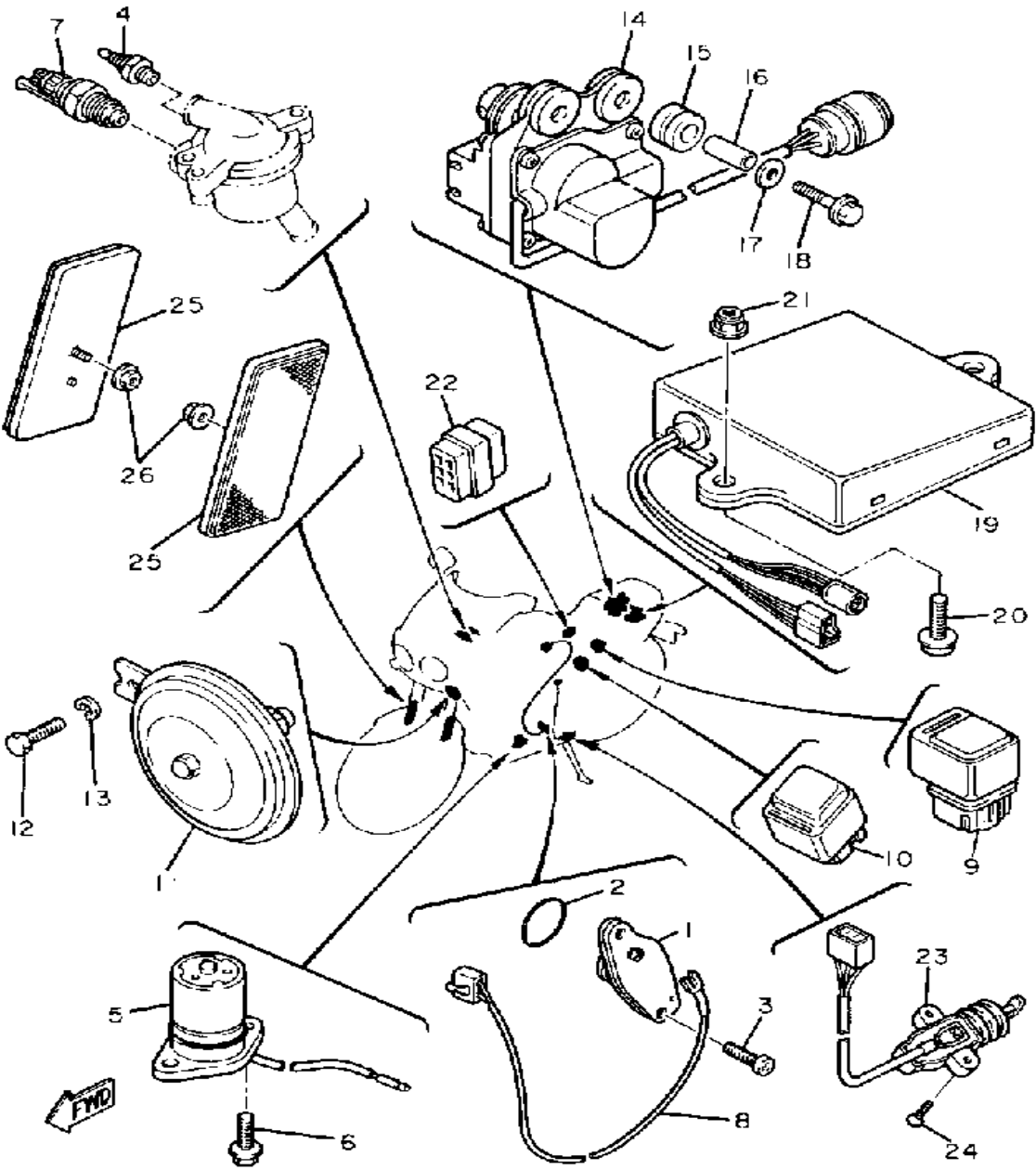
CONTINUED ON NEXT FRAME ►

ELECTRICAL 1



Ref. No.	Part Number	Description	Qty	Remarks
25	3FH-82501-10-00	MAIN SWCH STRG LCKSTEERING LOCK	1	
26	90149-06228-00	SCREW	2	

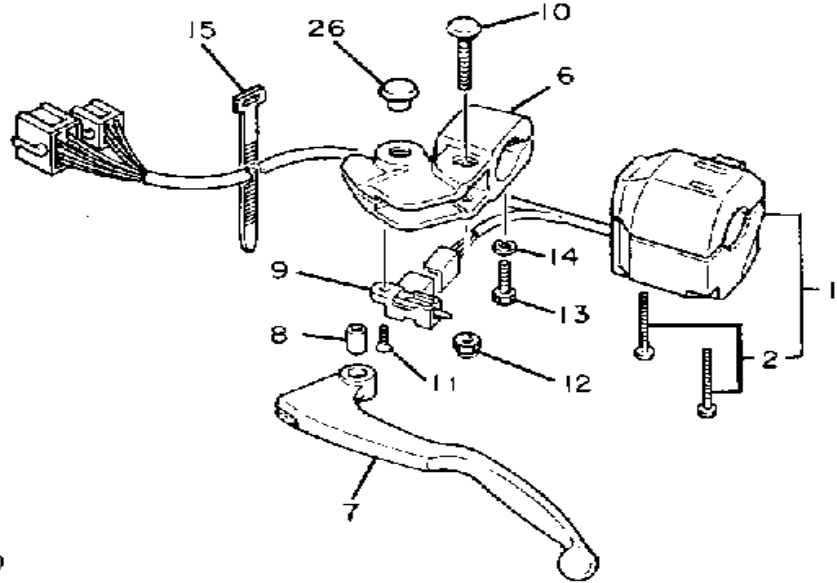
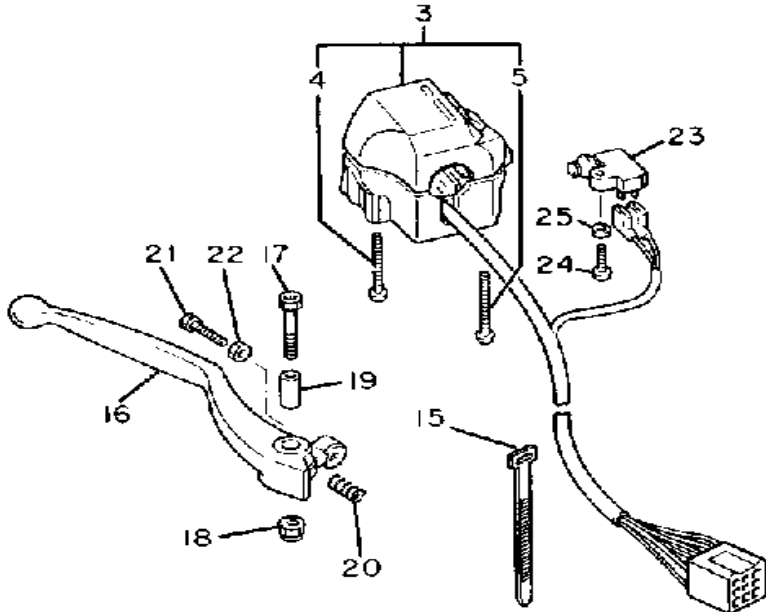
ELECTRICAL 2



Ref. No.	Part Number	Description	Qty	Remarks
1	1AE-82540-00-00	NEUTRAL SWITCH ASSEMBLY	1	
2	93210-29196-00	O-RING	1	
3	98503-06014-00	SCREW, PAN HEAD (92502-06016)	2	
4	11H-83591-00-00	THERMO UNIT	1	
5	1WG-85720-00-00	OIL LEVEL GAUGE ASSEMBLY	1	
6	95026-06016-00	BOLT, FLANGE	2	
7	2EL-82560-00-00	THERMO SWITCH ASSEMBLY	1	
8	1WG-82541-00-00	WIRE, LEAD	1	
9	25G-81950-01-00	RELAY ASSEMBLY	1	
10	41R-83350-71-00	FLASHER RELAY ASSEMBLY	1	
11	2KR-83371-00-00	HORN	1	
12	97026-06010-00	BOLT (97006-06010-00)	1	
13	92906-06100-00	WASHER, SPRING	1	
14	3FH-85820-00-00	SERVOMOTOR ASSEMBLY	1	
15	90480-14023-00	GROMMET	2	
16	90387-06553-00	COLLAR	2	
17	90201-06067-00	WASHER, PLATE	2	
18	91001-06030-00	BOLT, FLANGE	2	
19	2TK-85830-00-00	CONTROL UNIT ASSEMBLY	1	
20	90159-06056-00	SCREW, WITH WASHER	2	
21	95601-06200-00	NUT, U FLANGE	2	
22	4U8-81950-02-00	RELAY ASSEMBLY. (4U8-81950-00)	1	FOR SIDE STAND
23	3FH-82566-00-00	SWITCH, SIDE STAND	1	
24	90152-05016-00	SCREW, COUNTERSUNK	2	
25	11H-85110-01-00	REFLECTOR ASSEMBLY	2	
26	95701-05500-00	NUT, FLANGE	2	

3FH1110-8460

HANDLE SWITCH - LEVER



3BF1110-8440

Ref. No.	Part Number	Description	Qty	Remarks
1	3FH-83973-00-00	SWITCH, HANDLE 3	1	
2	98506-05035-00	. SCREW, PAN HEAD	2	
3	3FH-83975-00-00	SWITCH, HANDLE 2	1	
4	98506-05040-00	. SCREW, PAN HEAD	1	
5	98506-05045-00	. SCREW, PAN HEAD	1	
6	29L-82911-01-00	HOLDER, LEVER 1	1	
7	29L-83912-01-00	LEVER L	1	
8	31A-83913-00-00	COLLAR, LEVER 1	1	
9	31A-82917-00-00	SWITCH	1	
10	31A-83945-00-00	BOLT, LEVER	1	
11	98702-03008-00	SCREW, FLAT HEAD	1	
12	95616-06100-00	NUT, U	1	
13	97011-06025-00	BOLT (97001-06025)	1	
14	92906-06100-00	WASHER, SPRING	1	
15	90465-13169-00	CALMP	3	
16	36Y-83922-00-00	LEVER R	1	
17	90110-06074-00	BOLT, HEXAGON SOCKET HEAD	1	
18	95616-06100-00	NUT, U	1	
19	36Y-83913-01-00	COLLAR, LEVER 1	1	
20	90501-10312-00	SPRING, COMPRESSION	1	
21	90149-06153-00	SCREW, SPEC'L SHAPE	1	
22	90170-06010-00	NUT	1	
23	J45-82503-01-00	SWITCH, ALARM	1	
24	98506-04018-00	SCREW, PAN HEAD	1	
25	92906-04600-00	WASHER, PLATE	1	
26	90338-09012-00	PLUG	1	

CONTINUED ON NEXT FRAME ►

FZR400W, SWC 1989 SERVICE DATA

MODEL / PREFIX	FZR400W / 3BF FZR400SWC / 3FH
INITIAL ENGINE NUMBER / FRAME NUMBER	FZR400W: 3BF-009101/JYA3BFE0()JA009101 FZR400SWC: 3FH-002101/JYA3FHC0()JA002101
ENGINE:	Liquid-Cooled, DOHC, Four-Stroke Four
Bore / Stroke / Number Cylinders / Displacement	56mm / 40.5mm / 4 / 399cc
Valve Clearance (Cold): Intake / Exhaust	0.11~0.20mm / 0.21~0.30mm
Oil Type: Above 5°C (40°F)	Yamalube 4* or SAE 20W40 SE or SF
Oil Type: Below 15°C (60°F)	SAE 10W30 SE or SF
Capacity: Oil and Filter Change / Oil Change Only	2500cc (2.6 qt) / 2200cc (2.3 qt)
Oil Filter Part Number	1L9-13440-91-00
TRANSMISSION:	
Oil Type/Capacity/Drive Chain Free Play	See ENGINE / ϕ / 10~20mm
MIDDLE GEAR CASE: Oil Type / Capacity	ϕ
FINAL GEAR CASE: Oil or Grease Type / Capacity	ϕ
FUEL TANK: Main / Reserve / Fuel Type	18 Lit (4.8 gal)/3 Lit (0.8 gal)/Unleaded Regular
COOLING SYSTEM: Coolant Type / Mixing Ratio (Liquid)	Ethylene Glycol-Water / 1:1
CARBURETOR:	
Manufacturer / Type / ID Number	Mikuni/BDS32/FZR400W:3BF-00 FZR400SWC:3FH-00
Main Jet / Pilot Jet / Pilot Screw (Turns Out)	#87.5 / #15 / ϕ
Needle Jet / Jet Needle / Clip Position	Y-0 / 5CFZ2 / Fixed
Slide Cutaway	ϕ
Float Height / Fuel Level	ϕ / 5.5 \pm 1mm (With Special Tool)
Idle rpm	1300 \pm 50
Max CO _e / Max HC _e / Set CO _e	6.0% / 700 ppm / 4.5 \pm 0.5% @ 1300 rpm
SUSPENSION:	
Front: Oil Type / Level / Quantity	10 wt. Fork Oil* / 92mm / 444cc
Gas or Air Pressure Min ~ Max / Standard	ϕ
Rear: Gas or Air Pressure Min ~ Max / Standard	ϕ
TIRES: Size / Nominal Pressure: Front	110/70R17 / 2 kg/cm ² (28 psi)
Size / Nominal Pressure: Rear	140/60R18 / 2.25 kg/cm ² (32 psi)
BATTERY:	
Model / Capacity	GM12AZ-3A-2 / 12V12AH
Specific Gravity / Charge Rate	1.280 / 1.2A
IGNITION SYSTEM:	Transistor Controlled (Digital)
Timing (BTDC)	10° @ 1300 rpm Full Adv: W: 48° @ 6500 rpm Full Adv: WC: 38° @ 3500 rpm
Spark Plug / Gap	NGK CR8E or ND U24ESRN / 0.7~0.8mm
LIGHTING SYSTEM:	
Headlight / Taillight / Turn Signal	12V 35-35W / 12V 27-8W / 12V 27W
SERVICE LITERATURE:	
Owner's Manual	LIT-11626-06-89
Service Manual	LIT-11616-06-51 Same as FZR400U, SUC
Assembly Manual	LIT-11666-06-51 Same as FZR400U, SUC
Consumer Information	LIT-11656-04-50

ϕ = Does not apply to this model
NA = Information not available

* = Available from YPDI
⊗ = For diagnostic use only

TORQUE VALUES				
APPLICATION	SIZE	m-kg	ft-lb	NOTES
Front Axle Nut	M14	5.8	42	
Front Fork Pinch Bolt	M8	2.0	14	
Rear Axle Nut	M16	10.7	77	
Rear Axle Pinch Bolt	ϕ			
Clutch Nut	M18	7.0	50	
Drain Plug	M14	4.3	31	
Flywheel Nut	M10	8.0	58	
Cylinder Head Cover Bolt	M6	1.0	7	
Cylinder Head Nut	M12	2.5	18	
Engine Mounting: Front & Rear Upper	M10	5.5	40	
Rear Lower	M10	4.5	32	
Pivot Shaft	M14	9.0	65	
Spark Plug		1.3	9	

- ¹ Use Lock Washer
- ² Use Loctite®
- ³ Use Motor Oil
- ⁴ Use Motor Oil on Washers

- ⁵ Stake
- ⁶ Left-Hand Threads
- ϕ Does not apply to this model

PAGE 2 OF 2
 ROUTE TO:

 SERVICE
 PARTS
 WARRANTY
 SALES

TORQUE VALUES				
APPLICATION	SIZE	m-kg	ft-lb	NOTES
Front Axle Nut	M14	5.8	42	
Front Fork Pinch Bolt	M8	2.0	14	
Rear Axle Nut	M16	10.7	77	
Rear Axle Pinch Bolt	∅			
Clutch Nut	M18	7.0	50	
Drain Plug	M14	4.3	31	
Flywheel Nut	M10	8.0	58	
Cylinder Head Cover Bolt	M6	1.0	7	
Cylinder Head Nut	M12	2.5	18	
Engine Mounting: Front & Rear Upper	M10	5.5	40	
Rear Lower	M10	4.5	32	
Pivot Shaft	M14	9.0	65	
Spark Plug		1.3	9	

- ¹ Use Lock Washer
- ² Use Loctite®
- ³ Use Motor Oil
- ⁴ Use Motor Oil on Washers

- ⁵ Stake
- ∅ Left-Hand Threads
- ∅ Does not apply to this model

PAGE 2 OF 2 ROUTE TO: SERVICE PARTS WARRANTY SALES